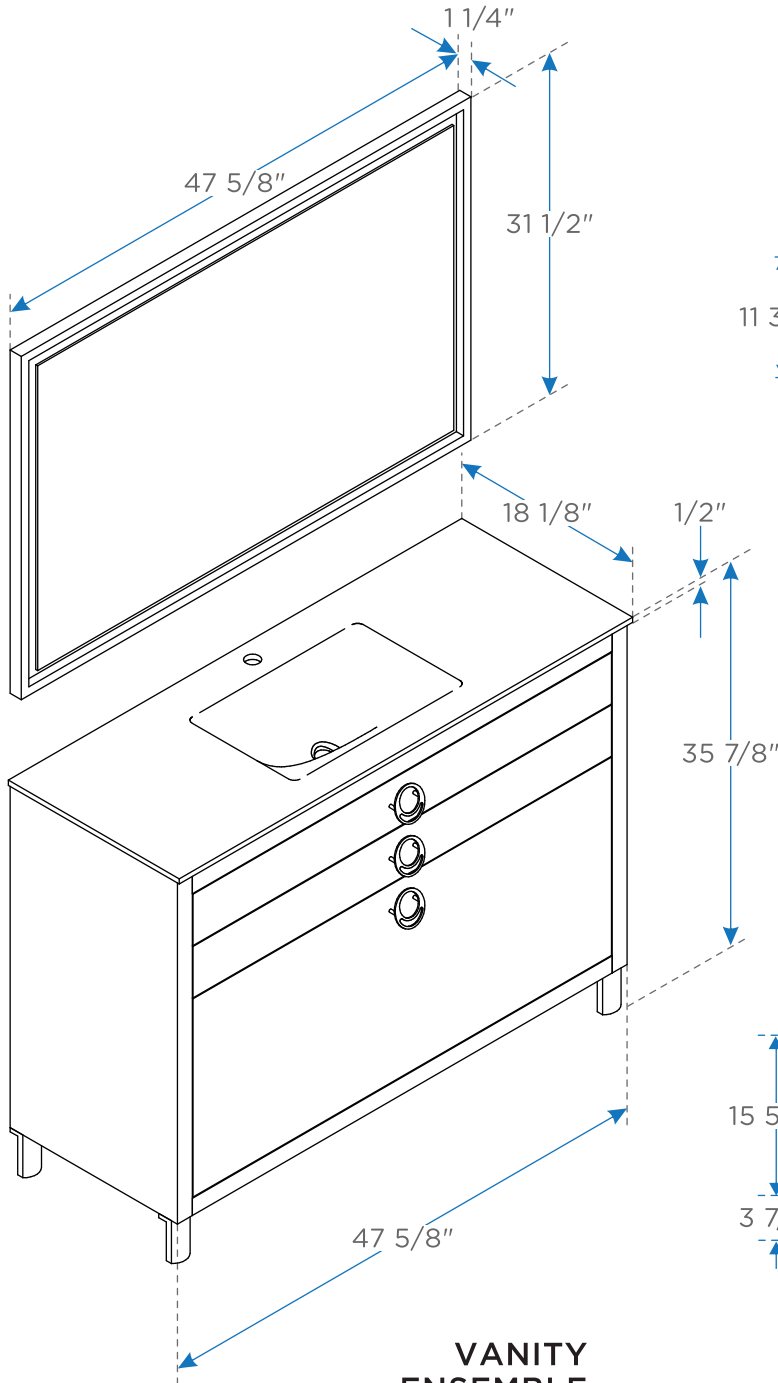
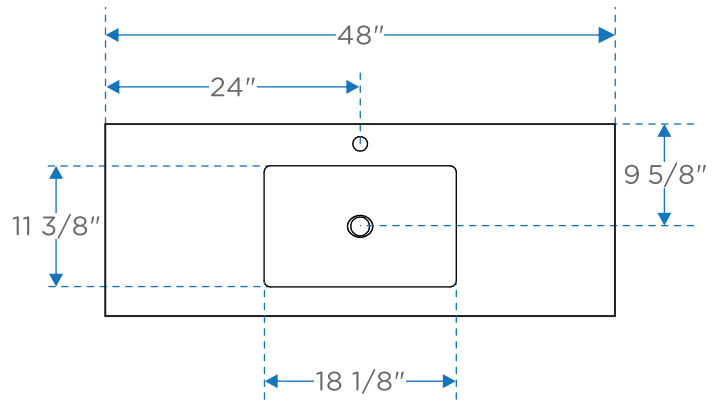


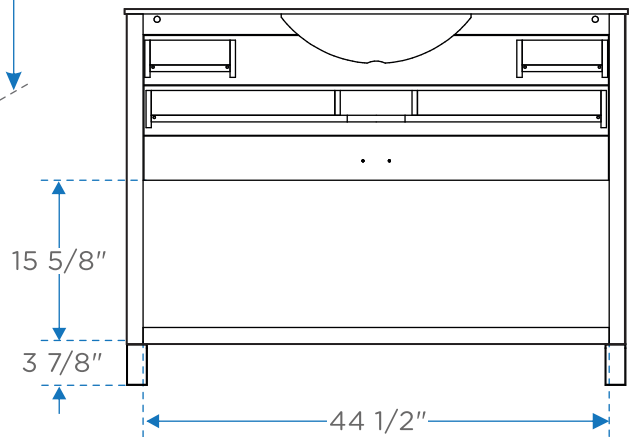
FPVN7848
Due
 INSTALLATION GUIDE



VANITY ENSEMBLE
FRONT VIEW



SINK
TOP VIEW

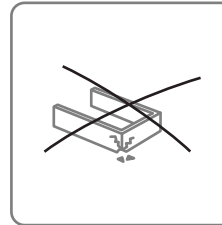
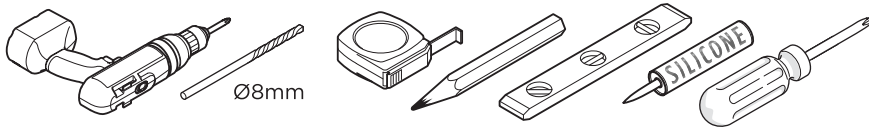


CABINET
REAR VIEW

ALL DIMENSIONS & SPECIFICATIONS ARE APPROXIMATE AND SUBJECT TO CHANGE WITHOUT NOTICE.

INSTALLATION INSTRUCTIONS:

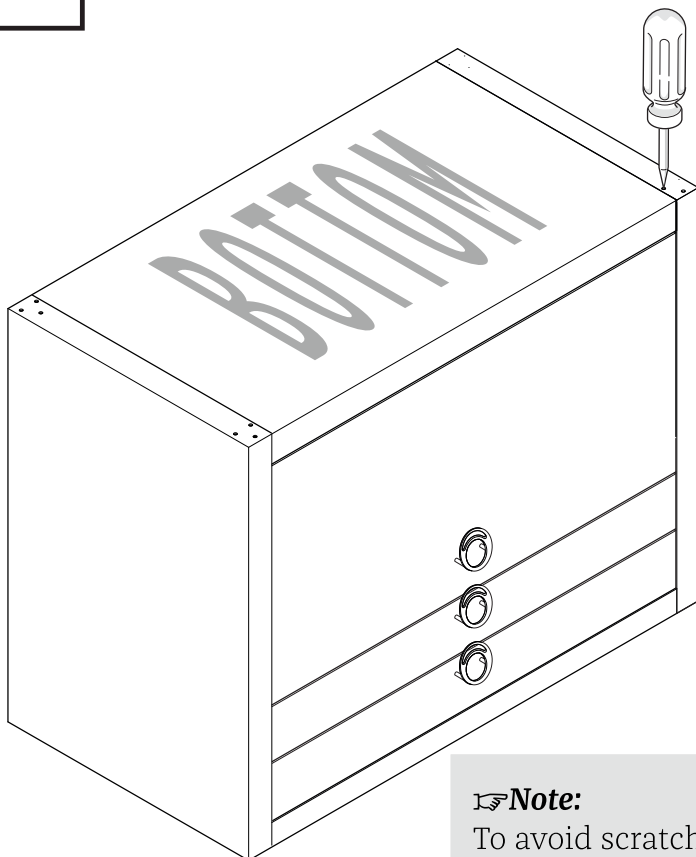
TOOLS NEEDED FOR INSTALLATION



Note:
Manufacturer is not responsible for damages caused by improper installation.

LEG INSTALLATION :

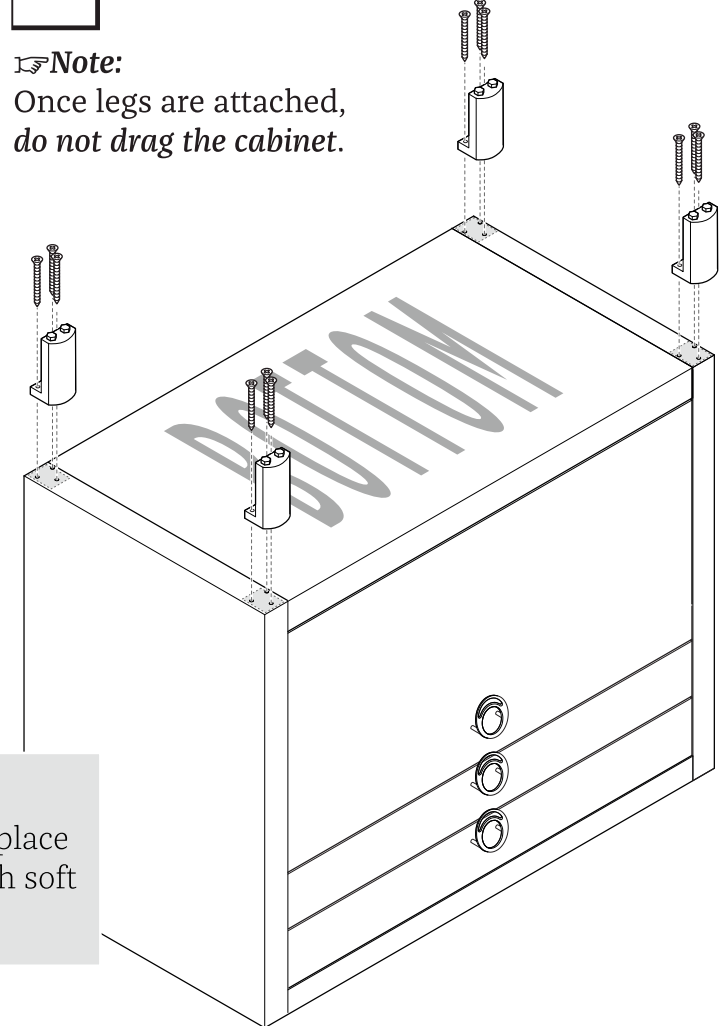
1. Place the cabinet upside down.



Note:
In case the holes are not marked, you can mark them using a sharp tool.

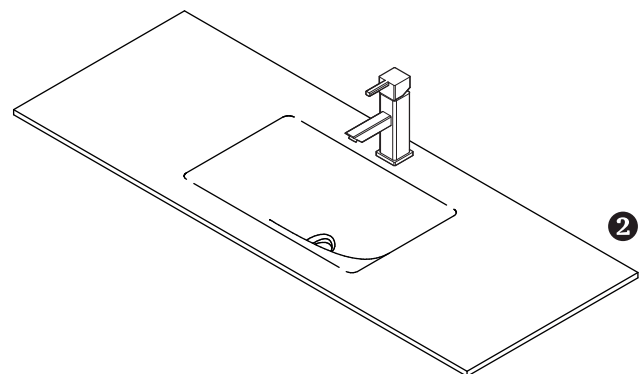
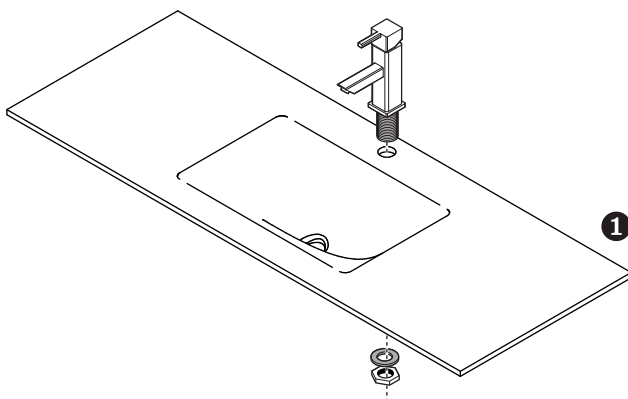
Note:
To avoid scratches place cabinet on a smooth soft surface.

2. Attach legs to the cabinet using screws.



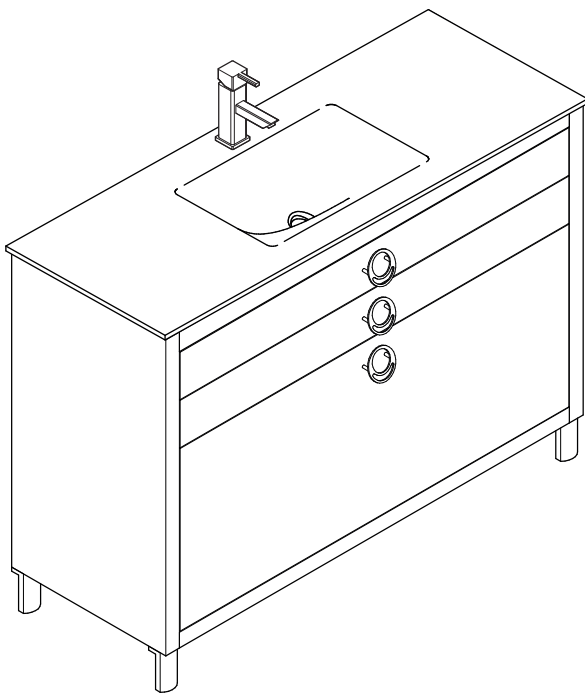
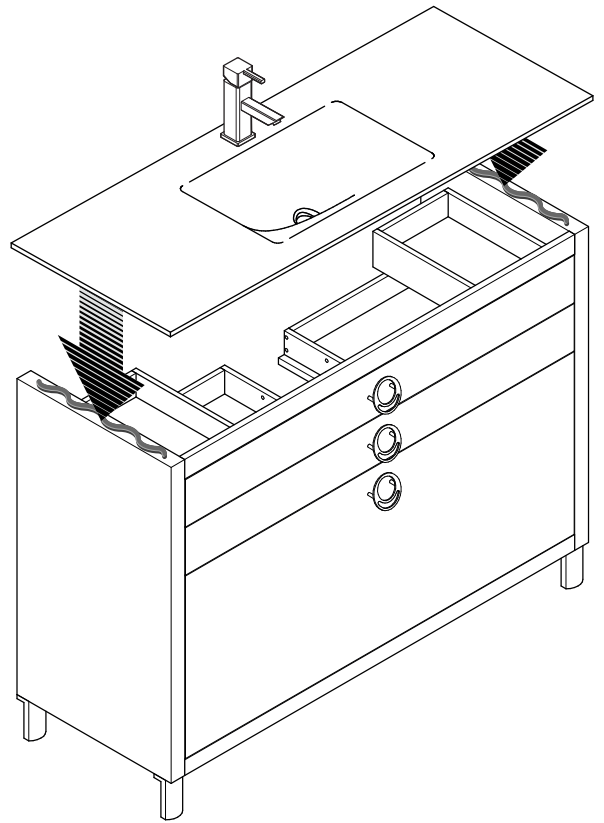
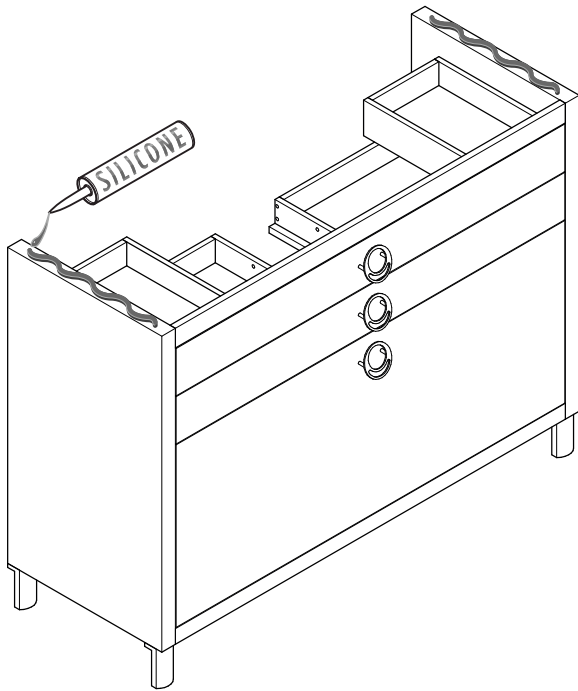
Note:
Once legs are attached, do not drag the cabinet.

3. Attach the faucet to the sink and secure it with the rubber washer and the brass nut provided with faucet.

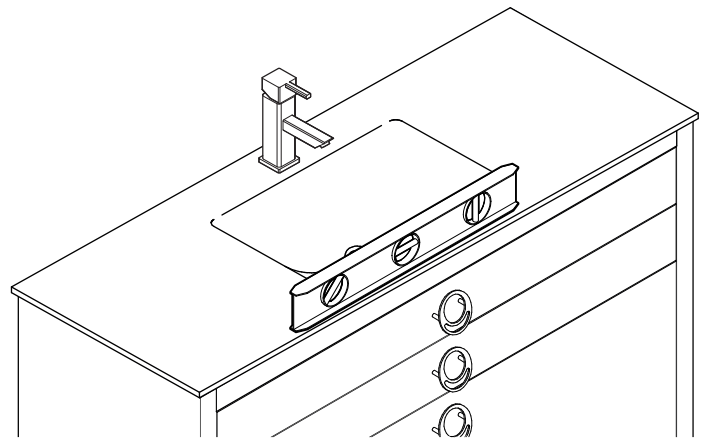


INSTALLATION INSTRUCTIONS:

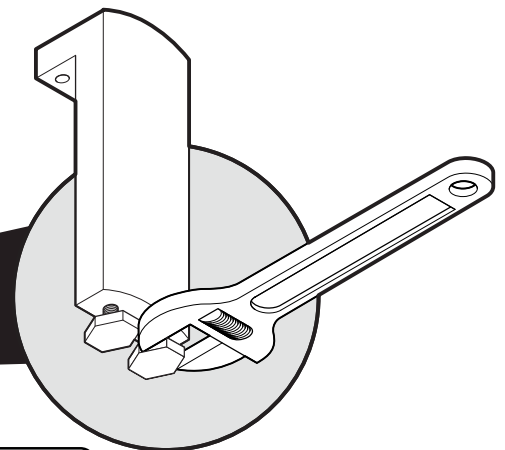
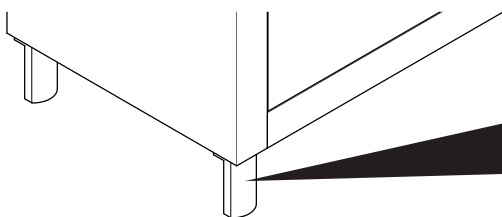
- 4.** Apply a bead of silicone on the top of the cabinet and place the sink on it.



- 5.** Place the cabinet on its legs and place the level on the top to determine if leveled.

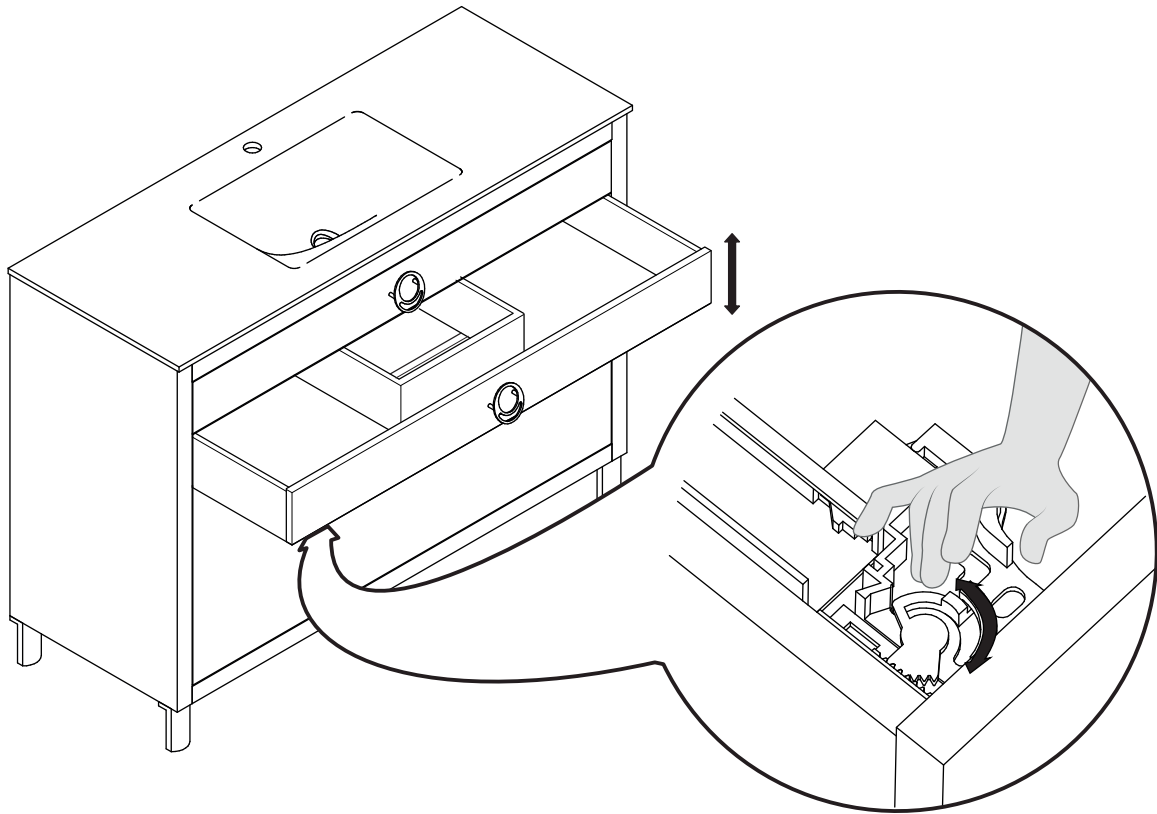


- 6.** If needed you can adjust the level of the cabinet by rotating bolts left or right on the bottom of the legs.



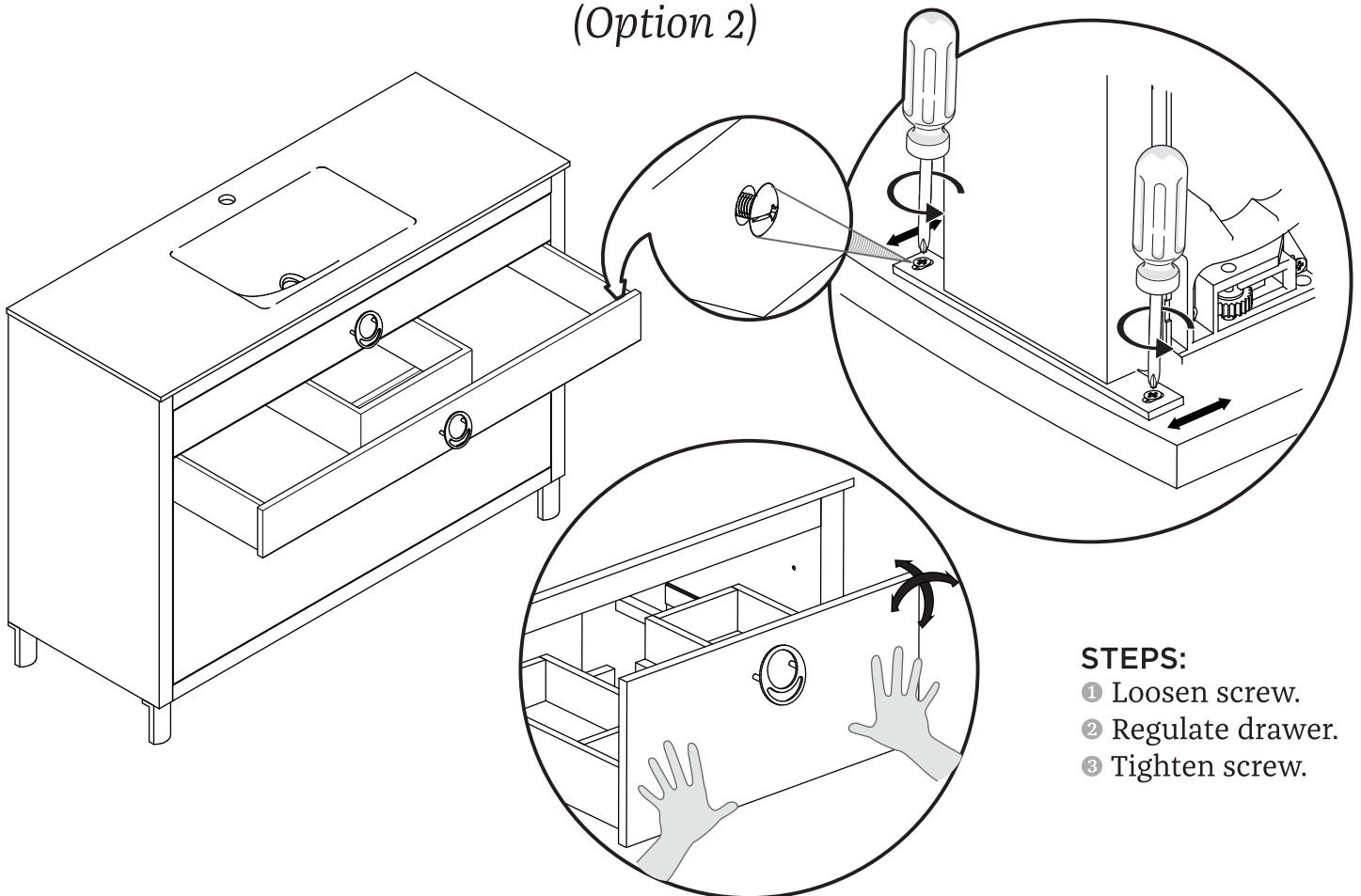
FRONT DRAWER ADJUSTMENT:

VERTICAL ADJUSTMENT



VERTICAL & HORIZONTAL ADJUSTMENT

(Option 2)

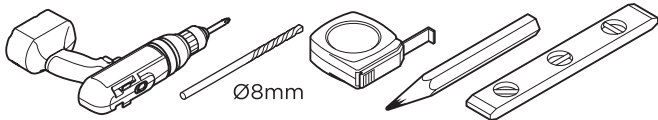


STEPS:

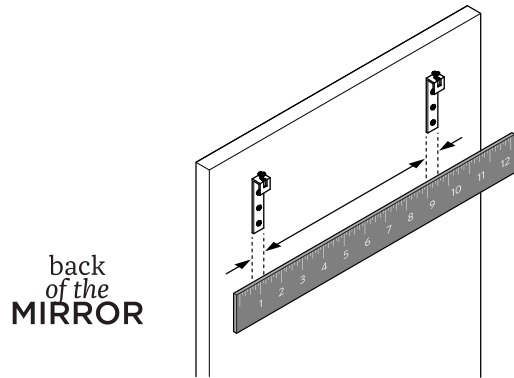
- 1 Loosen screw.
- 2 Regulate drawer.
- 3 Tighten screw.

MIRROR INSTALLATION INSTRUCTIONS:

TOOLS NEEDED FOR INSTALLATION

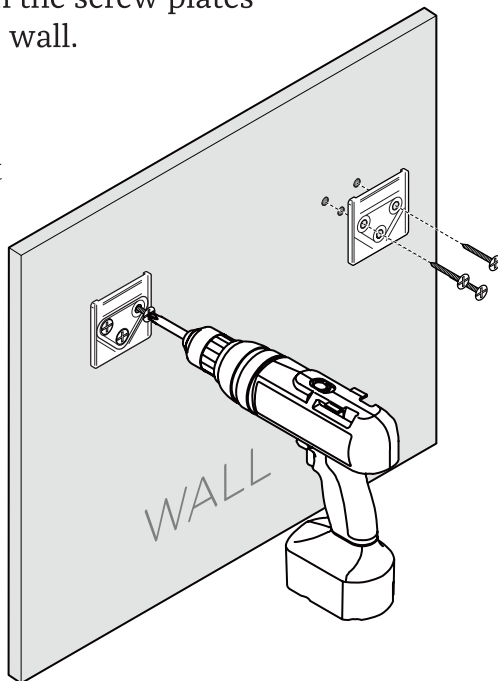


- 1.** Measure distance between the brackets on the back of the mirror.

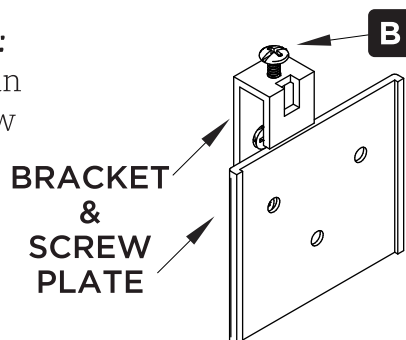


- 3.** Attach the screw plates to the wall.

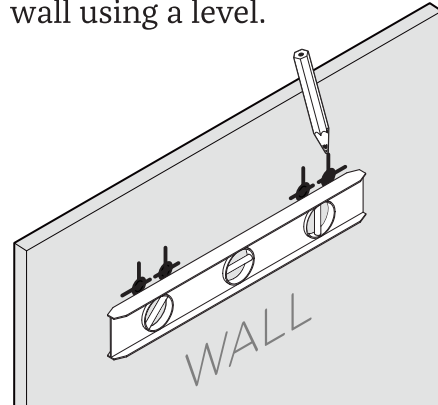
Note:
Use anchors if stud is not available.



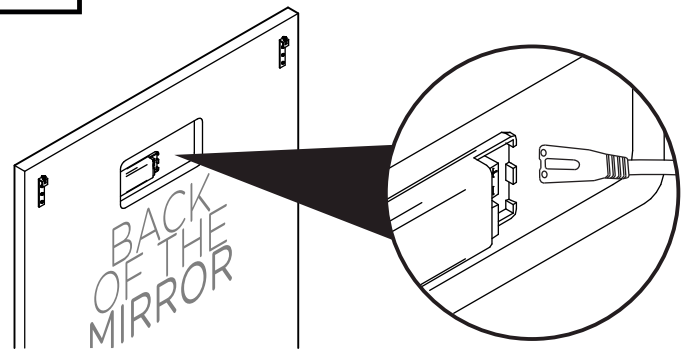
Note:
If the mirror is not leveled:
Fine-tune adjustments can be made by rotating screw **(B)** on bracket.



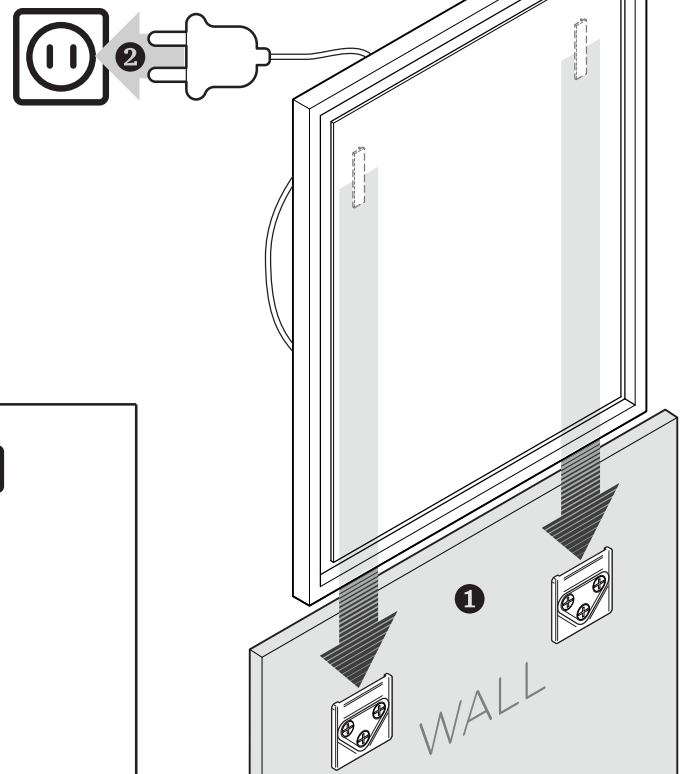
- 2.** Mark a measured distance on the wall using a level.



- 4.** Connect electrical wire to the transformer.



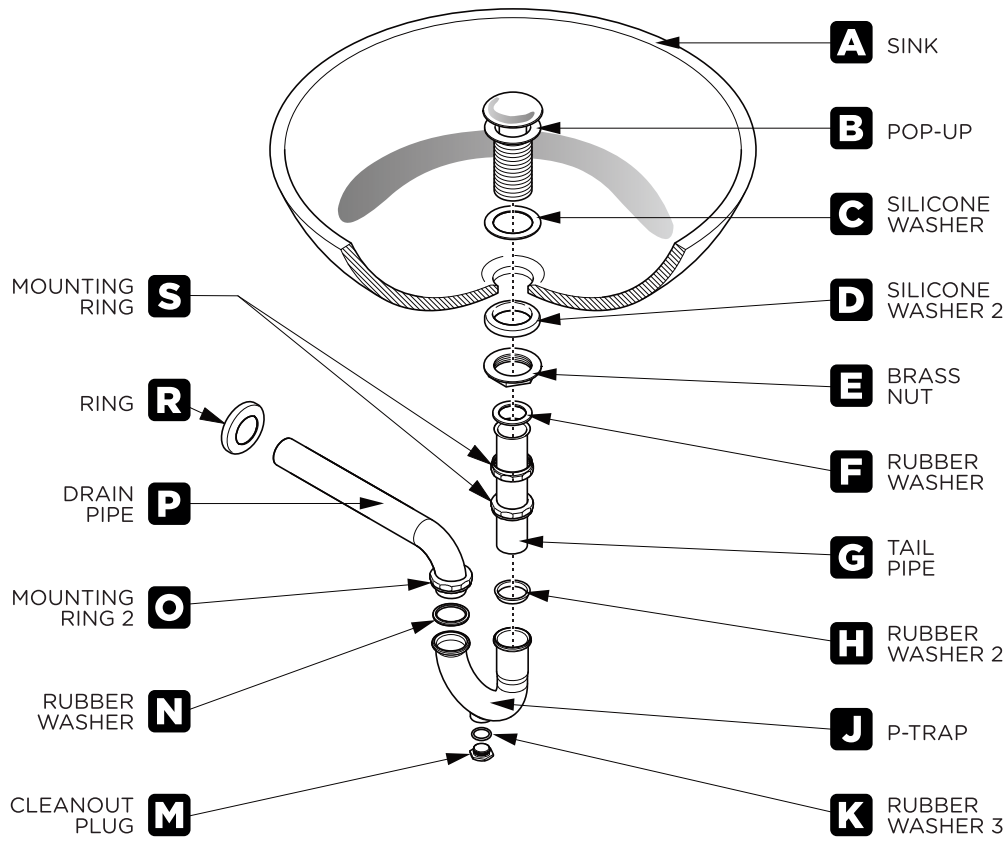
- 5.** Slide mirror into place and connect power plug to outlet.



POP-UP & P-TRAP

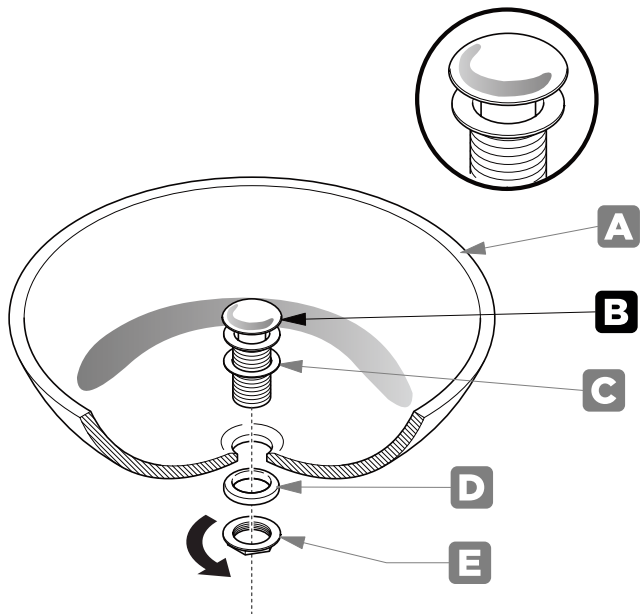
INSTALLATION INSTRUCTIONS:

Your item may appear slightly different from the illustration.



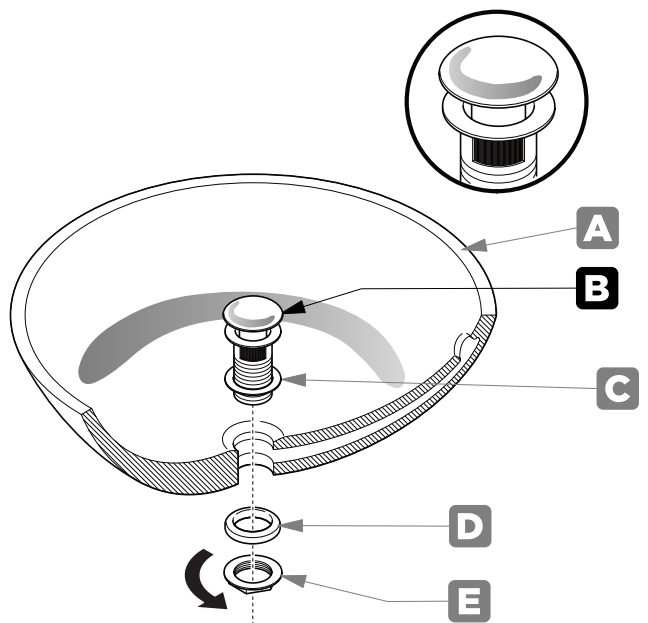
POP-UP INSTALLATION

FOR SINKS
WITHOUT OVERFLOW



OR

FOR SINKS
WITH OVERFLOW



FPVN7848

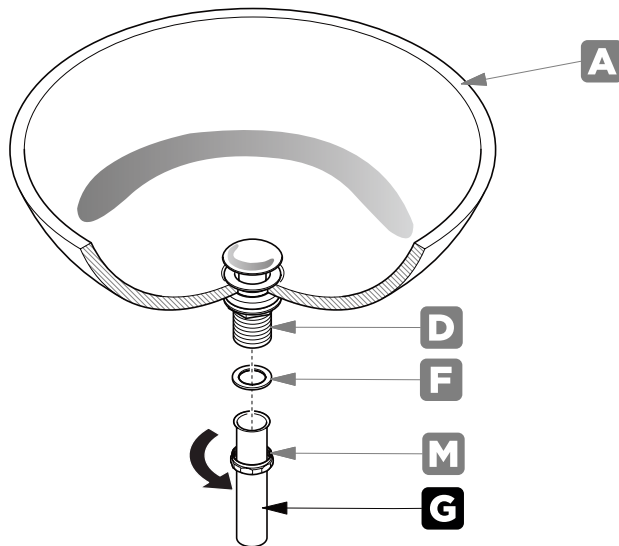
DUE

INSTALLATION GUIDE

PAGE 6

P-TRAP INSTALLATION

1. Install tail pipe (G).



2. Install P-trap (J).

