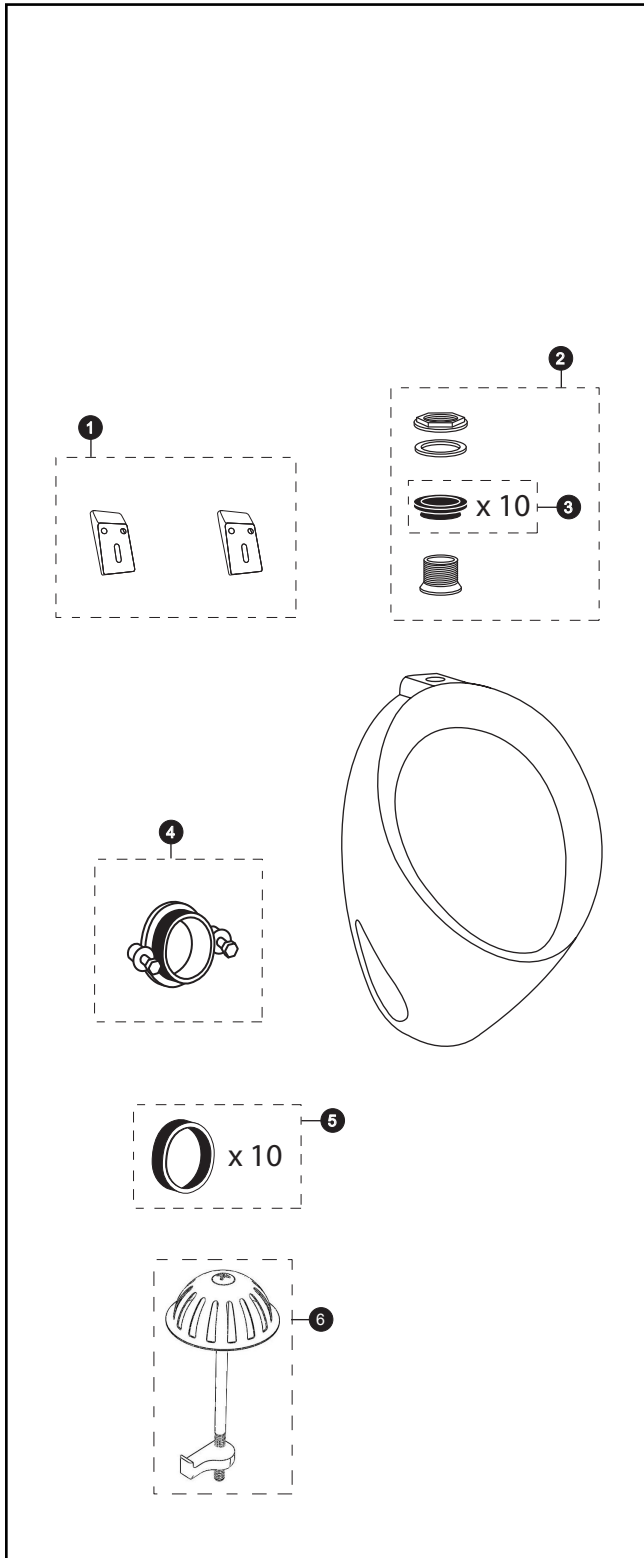


UT104E

UT104E

.5 Gpf, Commercial Washout Urinal 3/4" Top Spud Inlet 2" IPS Outlet Flange



Item	Part	Description
1	THU110	Wall Hanger
2	THU078	Top Spud
3	THU118	Top Spud Gaskets (10 Pieces)
4	THU080	Outlet Flange
5	THU119	Outlet Flange Gaskets (10 Pieces)
6	THU3010	Urinal Strainer Assembly

Product Number Explanations

Urinal

(UT) Urinal
(104) Model
(E) HEU

Colors

(#01) Cotton
(#03) Bone
(#12) Sedona Beige