

# FSP8012

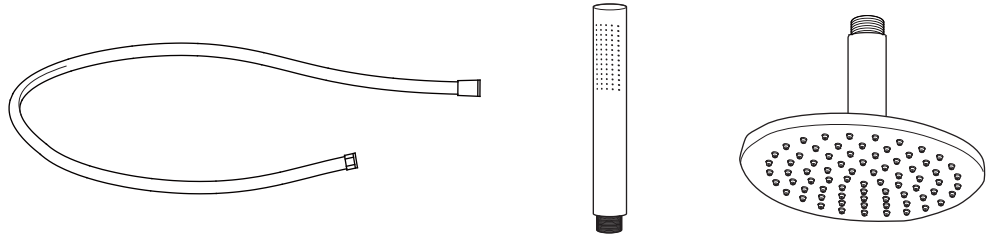
## PALERMO Shower Massage Panel INSTALLATION GUIDE



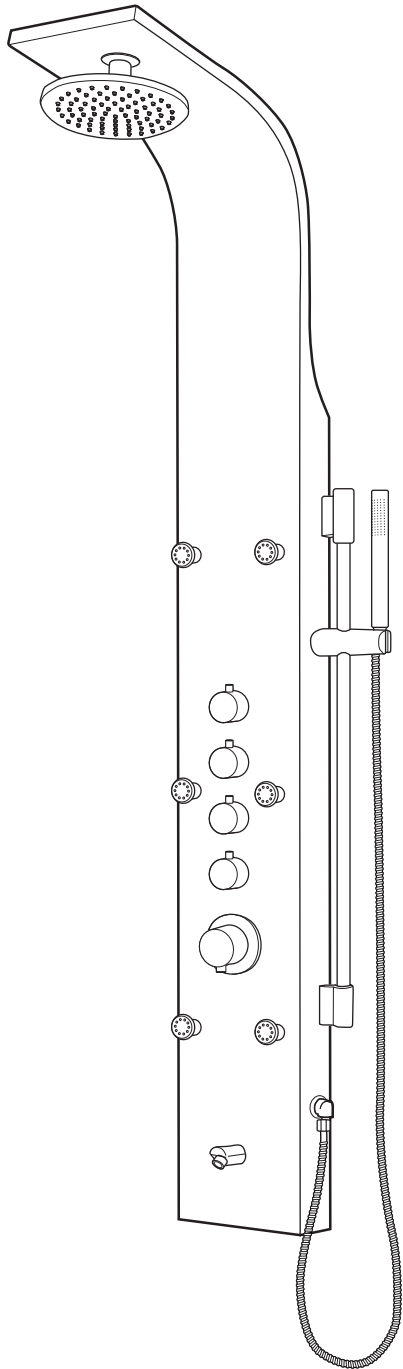
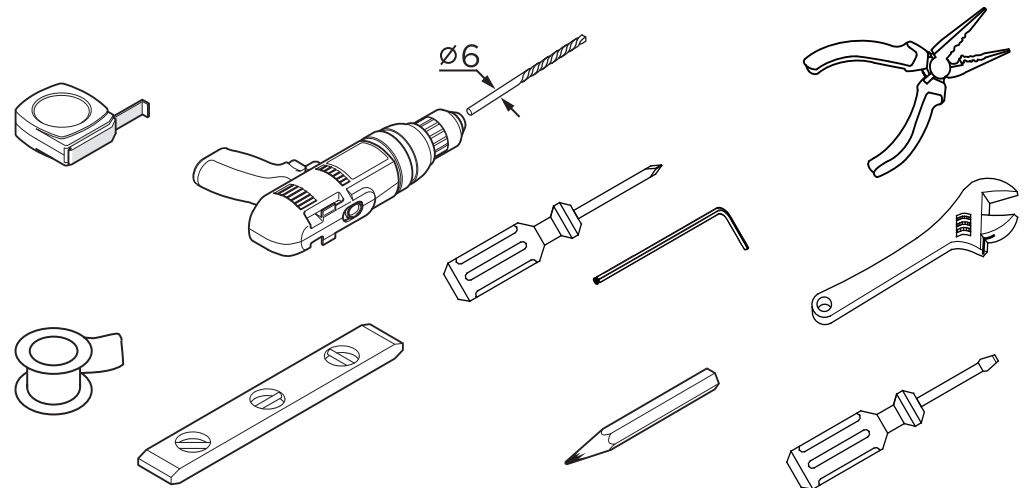
FRESCA®

### PARTS LIST

Please unpack & inspect all packages/ components carefully, make sure they are complete. Examine for shipping damages. If some parts are damaged or missing, notify your dealer immediately.

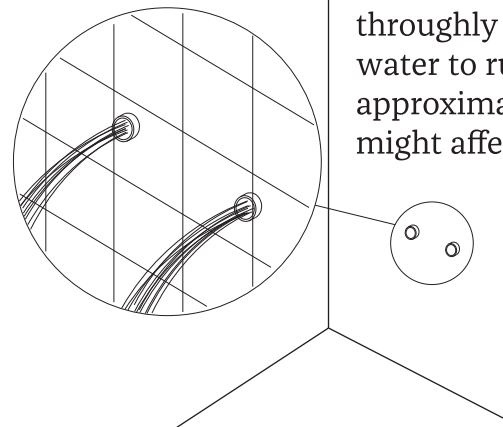


### TOOLS THAT YOU MAY REQUIRE FOR INSTALATTATION



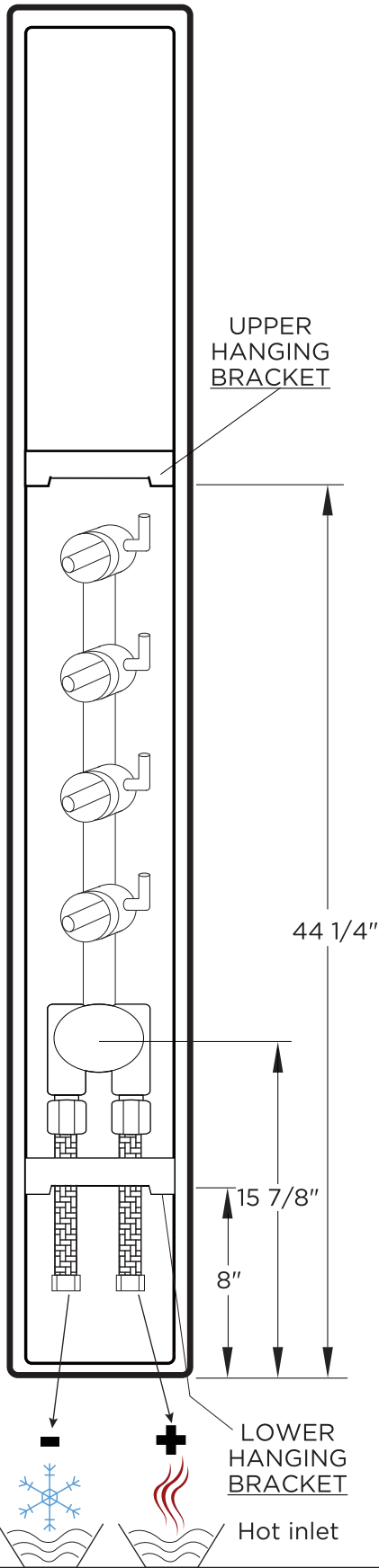
#### Note:

Before assembly, flush the water supply pipes thoroughly to remove the debris (allow the water to run with the main stopcock open for approximately 3 min.), otherwise dirt particles might affect panel's function.



**PARTS LIST**

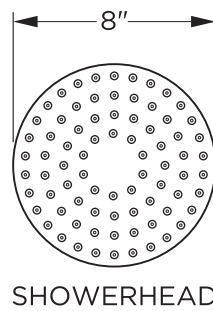
**SHOWER PANEL**  
rear view



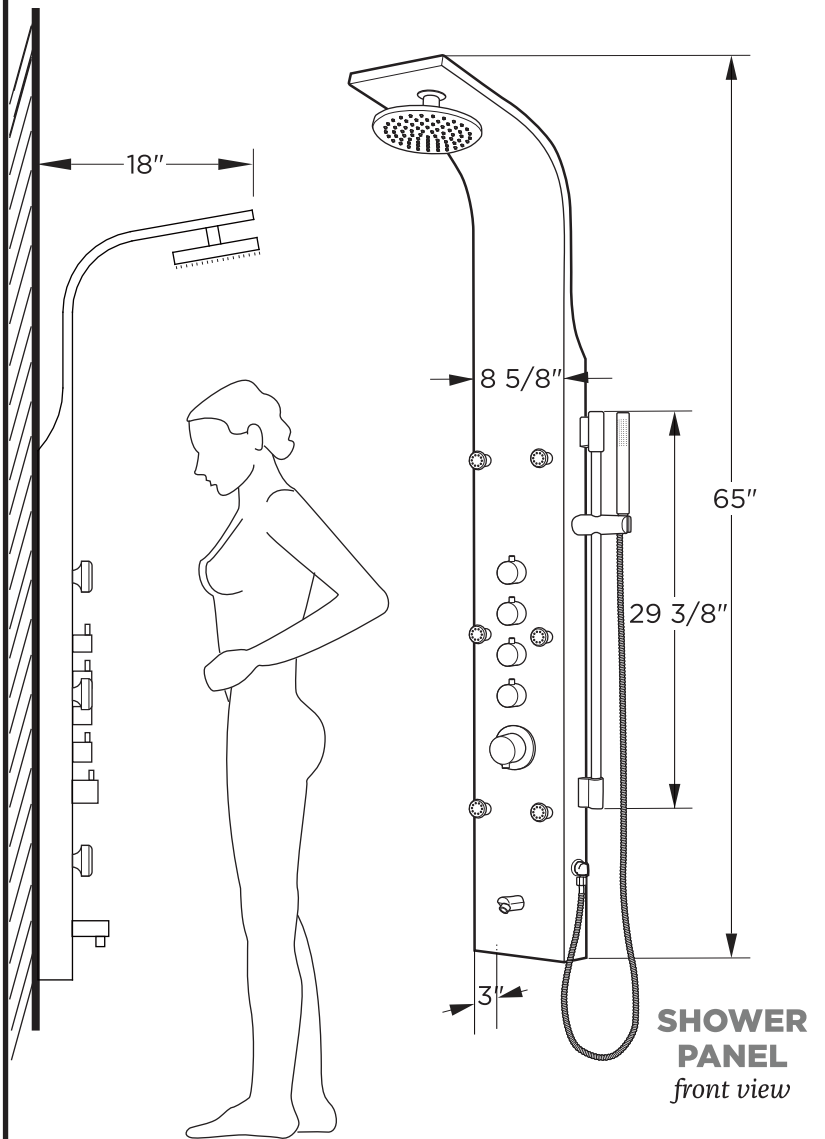
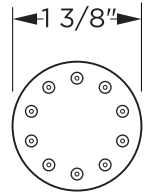
Measure the distance from the upper fixing hanger to the lower fixing hanger. The dimensions are **for your reference only**.

**DIMENSIONS**

Choose a suitable place to install the shower panel, adjust the panel's vertical position based on the user's height and your sanitary room. Assemble according to your instance.



SHOWER JET (X6)

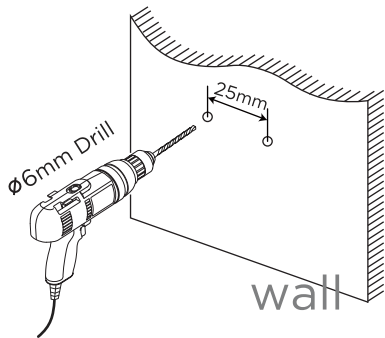


ALL DIMENSIONS & SPECIFICATIONS ARE APPROXIMATE AND SUBJECT TO CHANGE WITHOUT NOTICE.

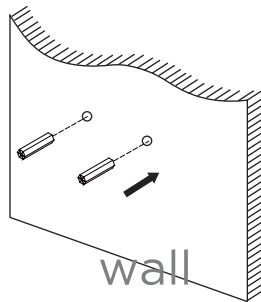
**Note:** The height can be altered to suit individual requirements.

YOUR ITEM MAY APPEAR SLIGHTLY  
DIFFERENT FROM THE ILLUSTRATION.

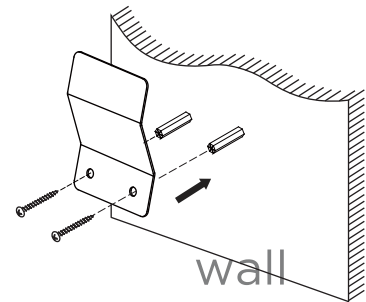
**Note:** Before drilling any holes for the shower panel installation make sure there are no hidden cables or pipework within the wall.



1 Drill the holes in the wall with a hand drill.



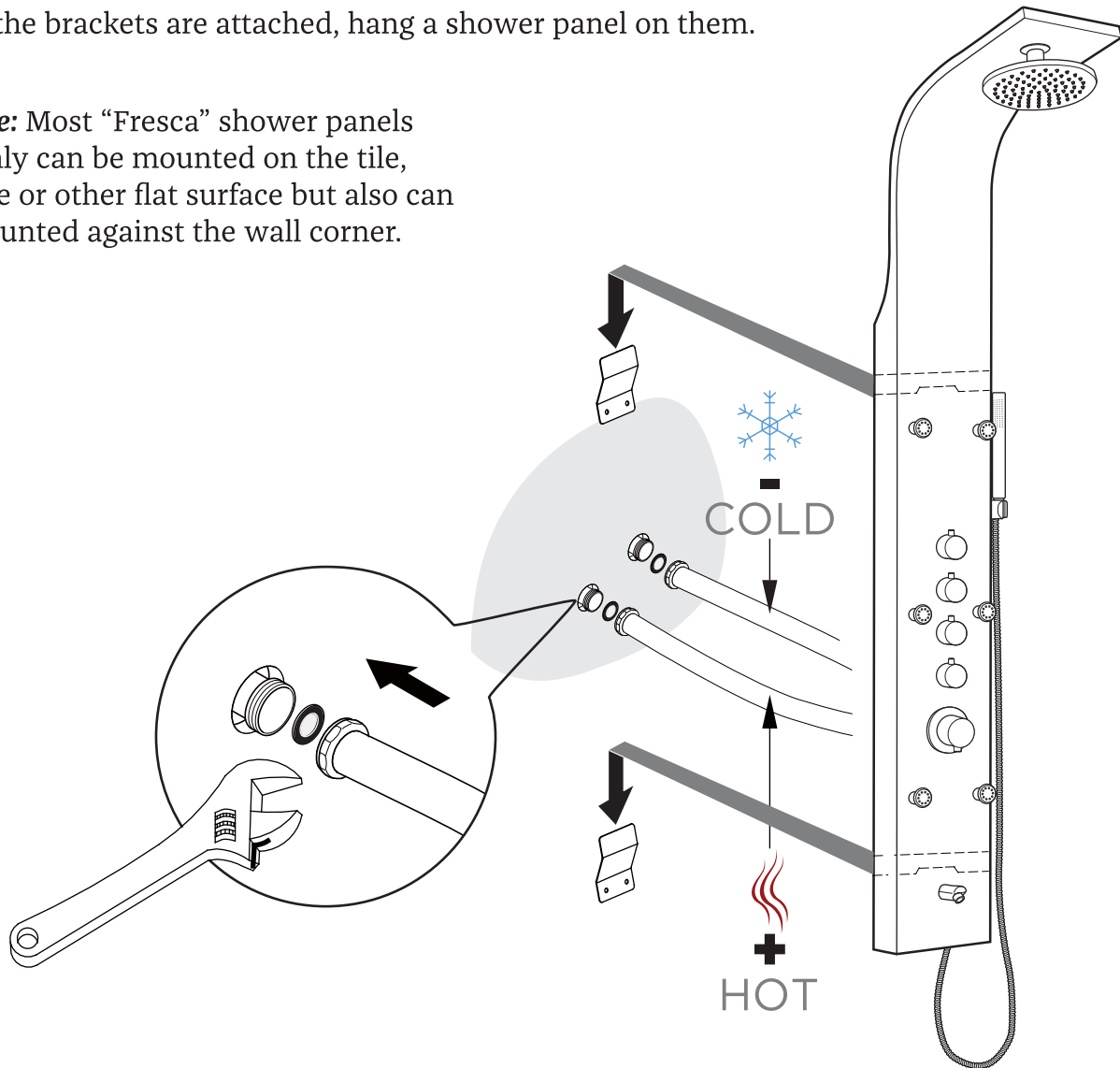
2 Insert the anchors inside the holes.



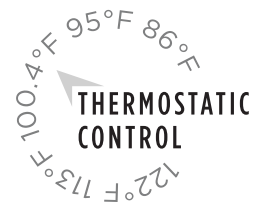
3 Attach the wall bracket to the wall with the screws.

4 Once the brackets are attached, hang a shower panel on them.

**Note:** Most “Fresca” shower panels not only can be mounted on the tile, marble or other flat surface but also can be mounted against the wall corner.



**Note:** This shower panel is for indoor use only. For outdoor panels please refer to the “Fresca” outdoor shower panel series.



Place the rubber washer (A) between the hand held shower (B) and the water hose (C) to avoid water leakage.

(See Illustration 1.)

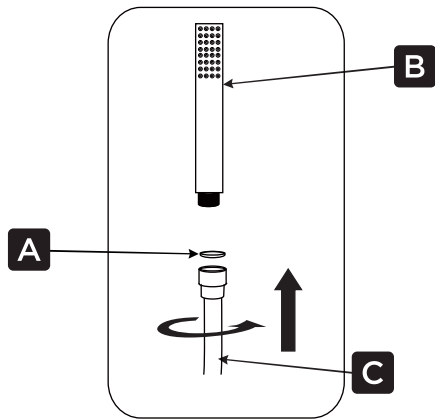
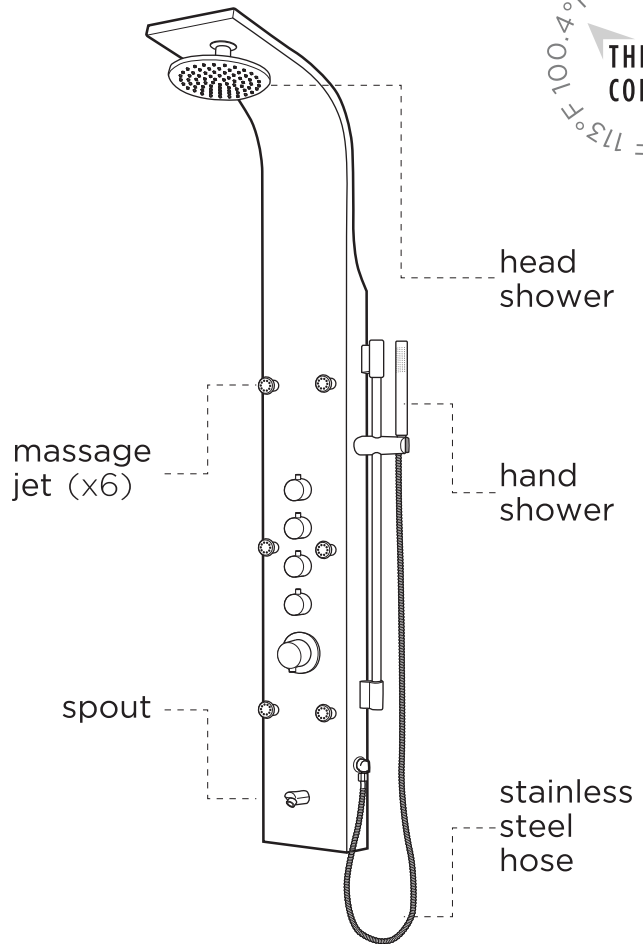


Illustration 1.



## OPERATION

### TECHNICAL DATA

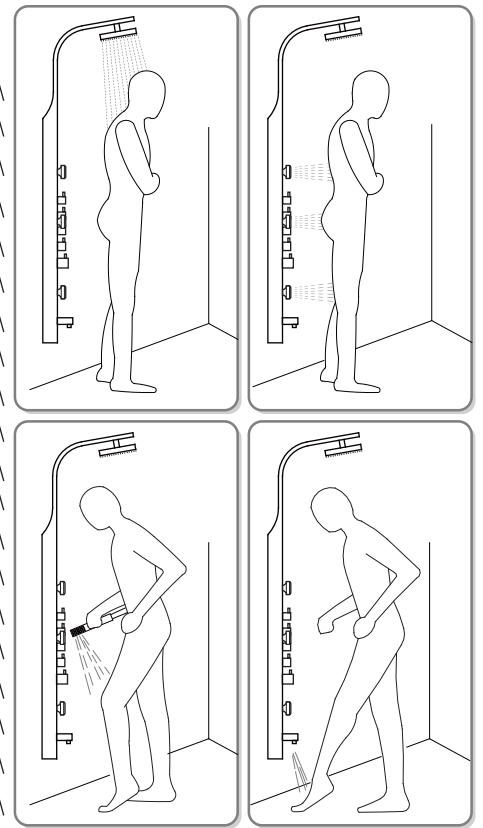
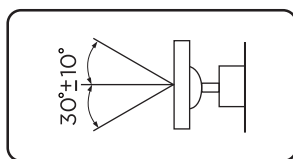
Minimum working pressure: 11.6 PSI  
 Maximum working pressure: 72.5 PSI  
 Temperature scale: 86°F - 122°F  
 Hot water temperature Max.: 158°F  
 Safety stop: 100.4°F

**Note:**

If the safety push button has been operated, it is important to return it to the original position (100.4°F) in order to prevent a next shower user from accidental scalding if the temperature is too high.

Select the shower function required and adjust the flow-rate by rotating the control knobs.

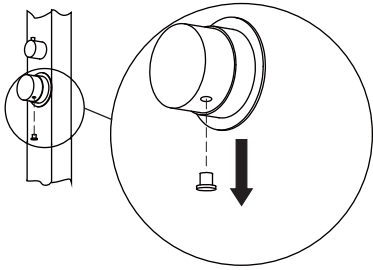
The temperature has been pre-set at a safe temperature of 104°F with safety push button to 104°F.



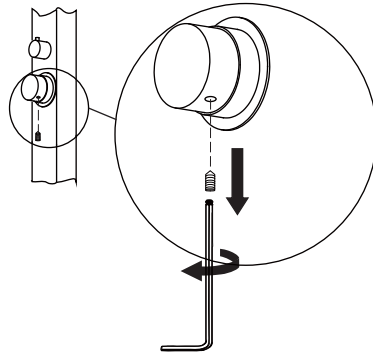
## REMOVAL

# THERMOSTATIC VALVE REMOVAL & INSTALLATION.

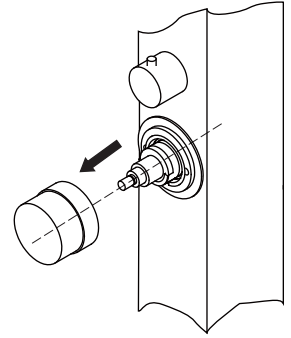
① Take off the cap.



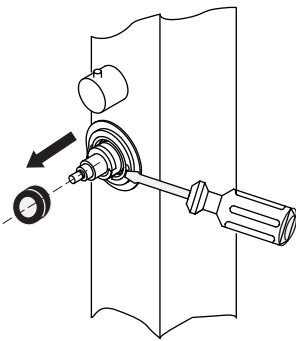
② Loosen hex screw off with allen wrench.



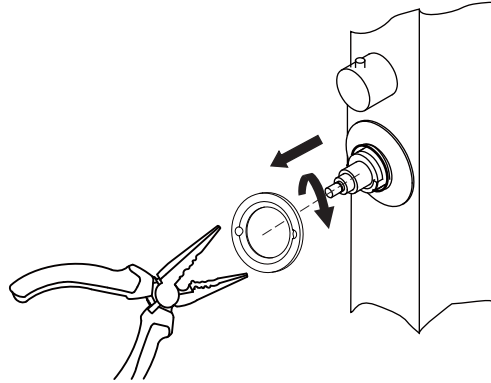
③ Take off head.



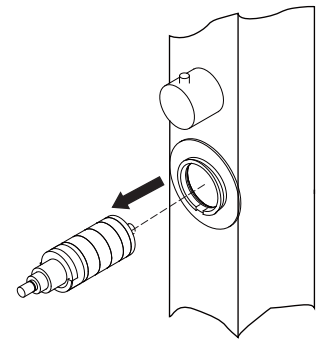
④ Take off plastic ring.



⑤ Pull out the valve with a needle nose pliers.

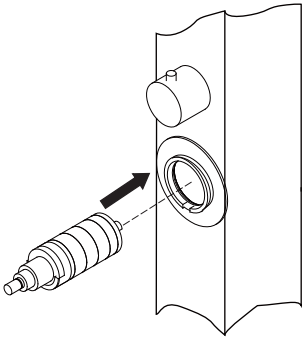


⑥ Remove the valve.

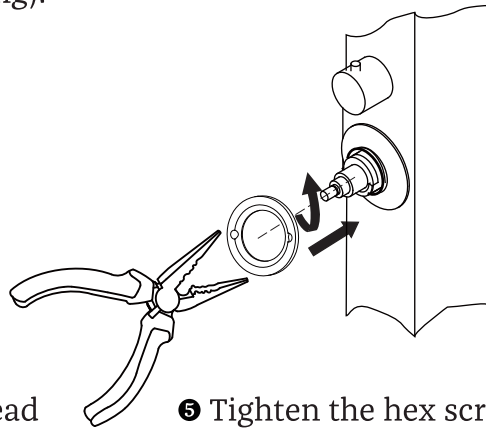


## INSTALLATION

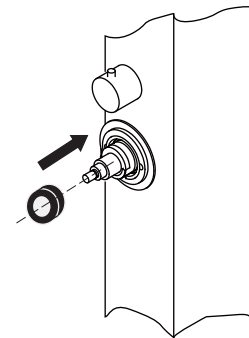
① Place the valve into place (ensure that the screw head is pointing to the cut off of the plated ring).



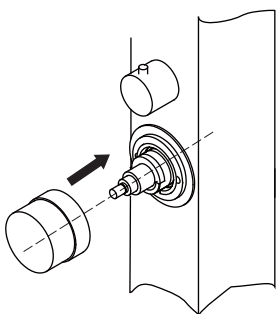
② Put the golden ring on the top of the valve.



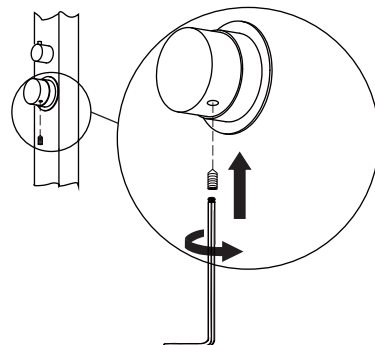
③ Insert the plastic ring in place using a rubber hammer.



④ Press the button on the head as shown below, ensuring the screw hole pointing to the front.



⑤ Tighten the hex screw with allen wrench.



⑥ Cover the hex screw with decorative cap.

