

TOTO®

MW4542034CEFG

Drake® II Connect+™ Toilet, 1.28GPF with Washlet® C100 Connect+

FEATURES

- Concealed supply connection for seamless installation
- High-efficiency Tornado Flush™ (1.28GPF/4.8LPF)
- CeFiONtect™ glaze prevents debris from sticking to ceramic surfaces for easy cleaning
- Universal Height
- Elongated front bowl
- Chrome trip lever
- 12" Rough-in, less supply
- See Spec sheet SW2034T20 for Washlet features

MODELS

- C454CUFGT20
Bowl with CeFiONtect glaze
- ST454E Tank and cover only
- ST454ER Tank and cover only, right hand trip lever

REQUIRED WASHLET CONNECT+

- SW2034T20 Washlet® C100 Connect+
Fits TOTO Connect+ toilet bowl models only

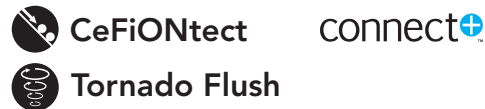
COLORS/FINISHES

- Standard
#01 Cotton

PRODUCT SPECIFICATION

The two-piece high-efficiency Tornado Flush toilet shall be 1.28GPF/4.8LPF. Universal Height Toilet with CeFiONtect glaze finish. Toilet shall have high-profile tank, elongated front bowl and chrome trip lever. Toilet shall be **TOTO Model C454CUFGT20#01**.

See TOTO Specification sheet **SW2034T20** for details on required Washlet.



CODES/STANDARDS

- Meets and exceeds ASME A112.19.2/CSA B45.1
- Certifications: IAPMO(cUPC), EPA WaterSense, State of Massachusetts, City of Los Angeles, and others
- Code compliance: UPC, IPC, NSPC, NPC Canada, and others
- Legislative Compliance: California AB715, California Green Building Code, City of Los Angeles Water Efficiency Ordinance
- ADA compliant (when installed with trip lever located on the approach side)



MW4542034CEFG

Drake® II Connect+™ Toilet, 1.28GPF with Washlet® C100 Connect+

SPECIFICATIONS

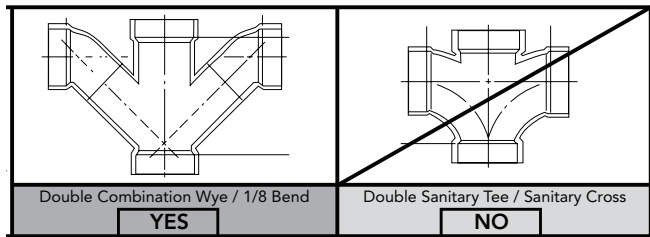
- Water Use 1.28 GPF/4.8LPF
- Flush System Tornado Flush™
- Min. Water Pressure 8 psi (static)
- Water Surface 7-1/8" x 9-1/8"
- Trap Diameter 2-1/8"
- Rough-in 12"
- Trap Seal 2-1/8"
- Warranty One Year Limited Warranty
- Material Vitreous china
- Shipping Weight C454CUFGT20 57.3lbs.
ST454E(R) 31.5lbs.
SW2034T20 16.0lbs.
- Shipping Dimensions C454CUFGT20
29" L X 14-3/4" W1 X
11-1/2" W2 X 16-1/4" H
ST454E(R)
18" L X 9" W X 16" H
SW2034T20
23 1/2" X 20 1/2" X 9"

- See Spec sheet **SW2034T20** for Washlet details

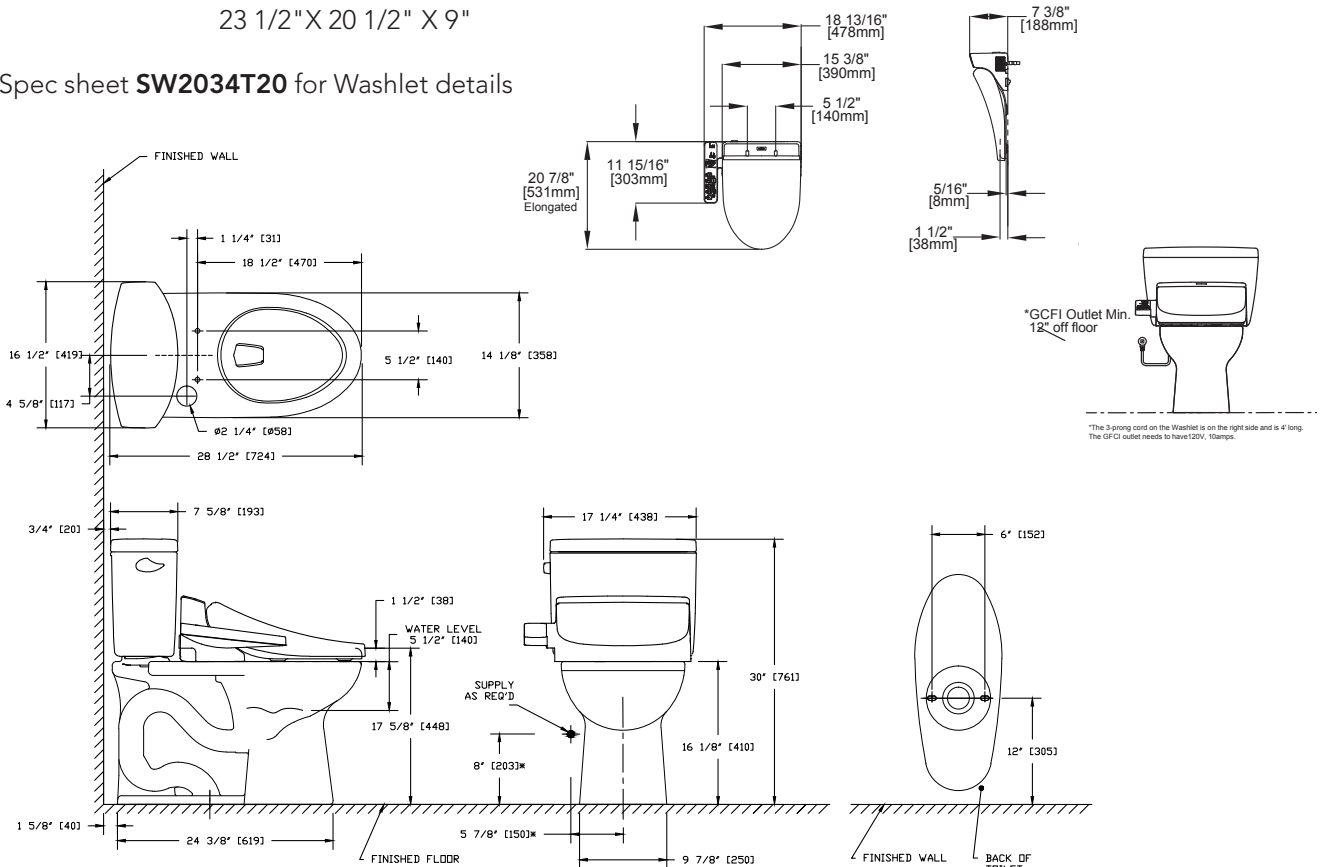
INSTALLATION NOTES

Back-to-Back Toilet Installations:

TOTO recommends the use of a nationally listed, double sanitary tee-wye only, in vertical waste stacks, in accordance with the stipulations noted in the majority of nationally recognized plumbing codes.



To maintain adequate wall gap between the back of the tank and wall, mount the floor flange at a nominal 12" rough-in distance.



*GFCI Outlet Min. 12" off floor

*The 3-prong cord on the Washlet is on the right side and is 4' long. The GFCI outlet needs to have 120V, 10amps.

RD-XXXXX, MW4542034CEFG, V.01

*SUGGESTED DIMENSIONS

TOTO

These dimensions and specifications are subject to change without notice