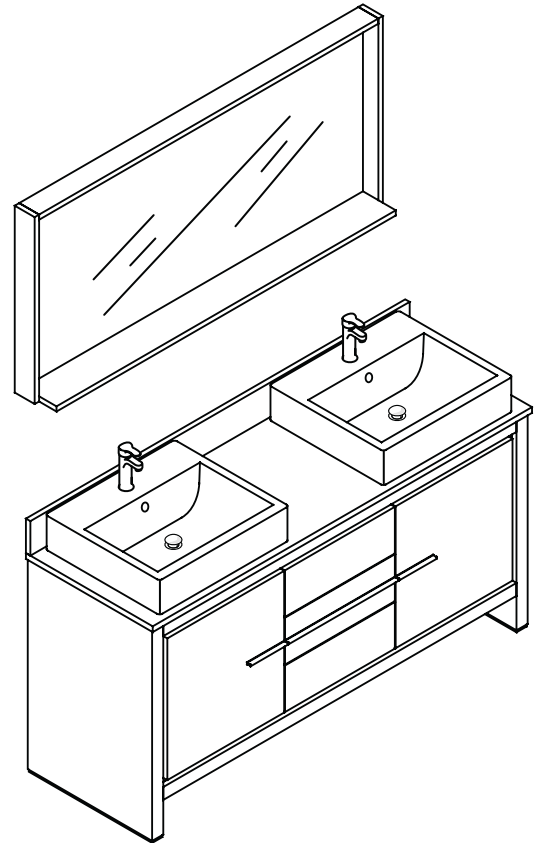
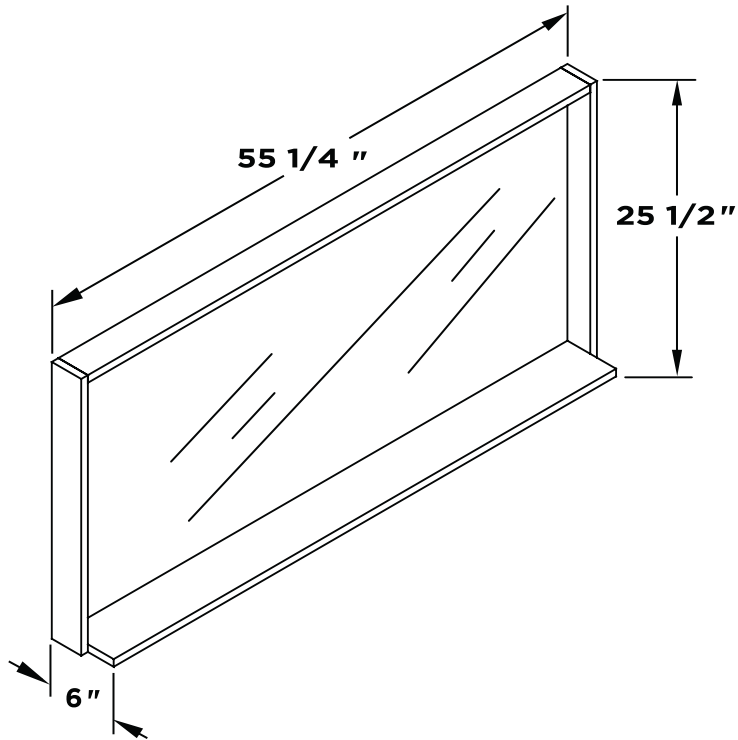


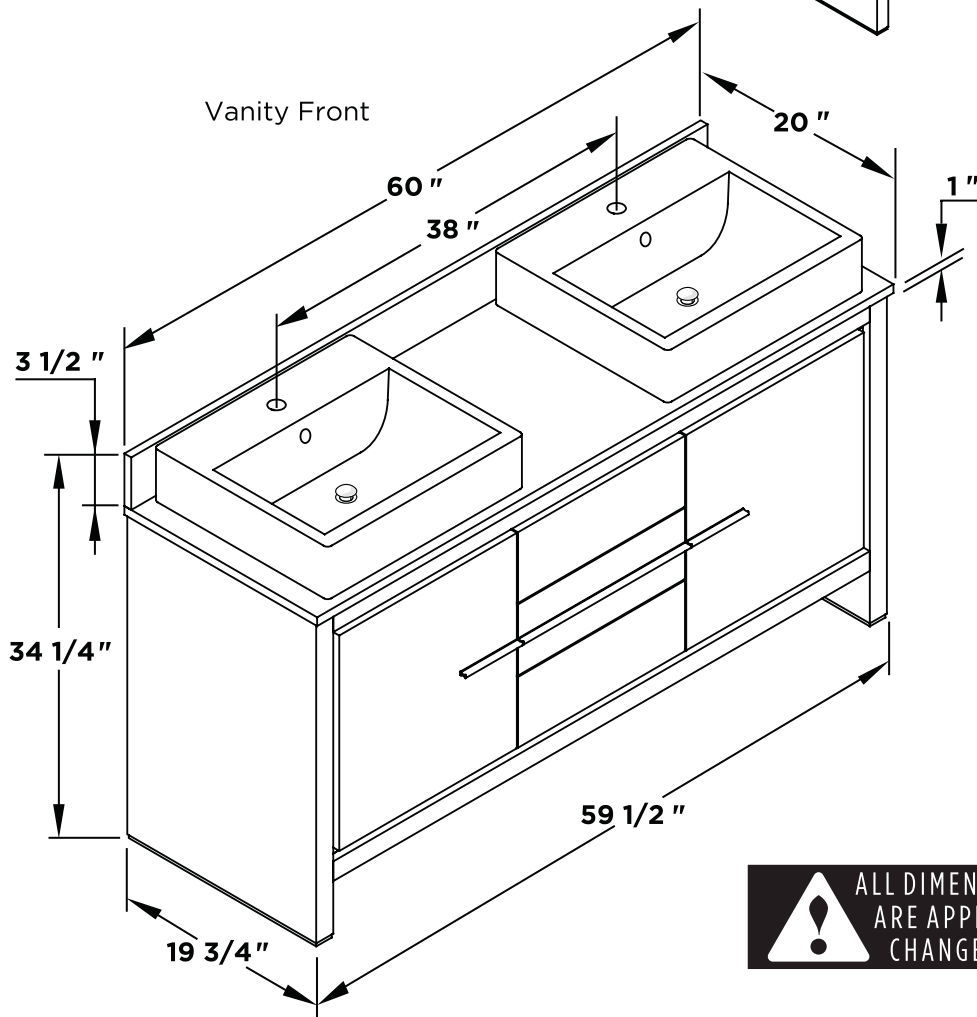
# FVN8119 ALLIER INSTALLATION GUIDE



Mirror

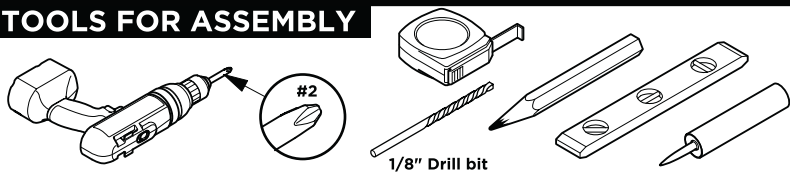


Vanity Front

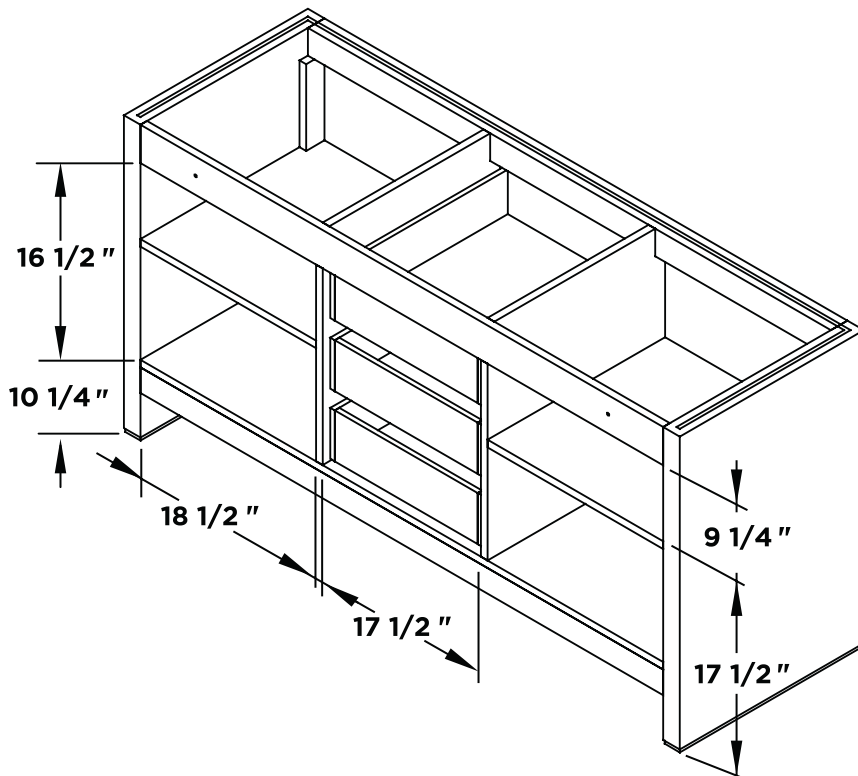


 ALL DIMENSIONS & SPECIFICATIONS ARE APPROXIMATE AND SUBJECT TO CHANGE WITHOUT NOTICE.

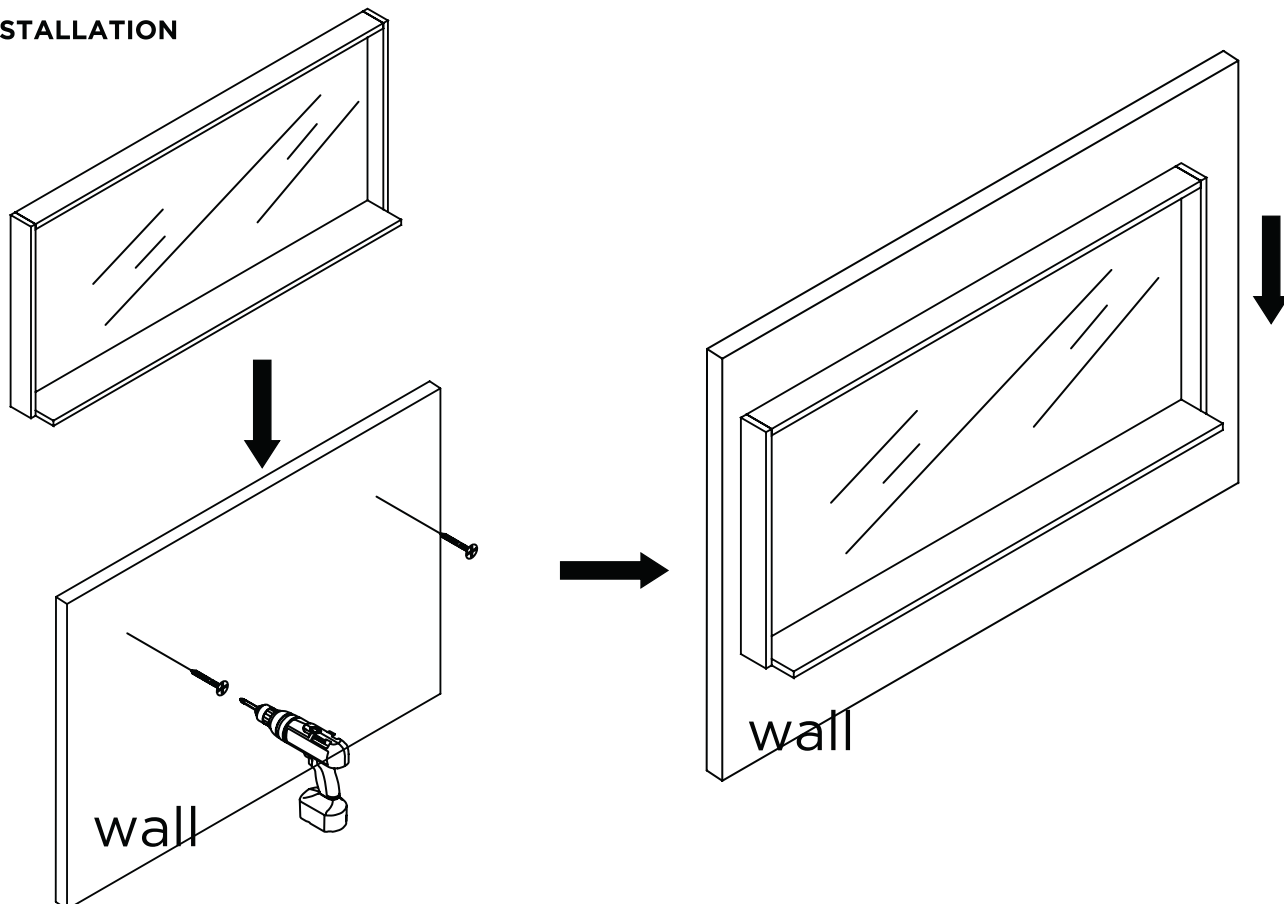
## TOOLS FOR ASSEMBLY



### Vanity Back

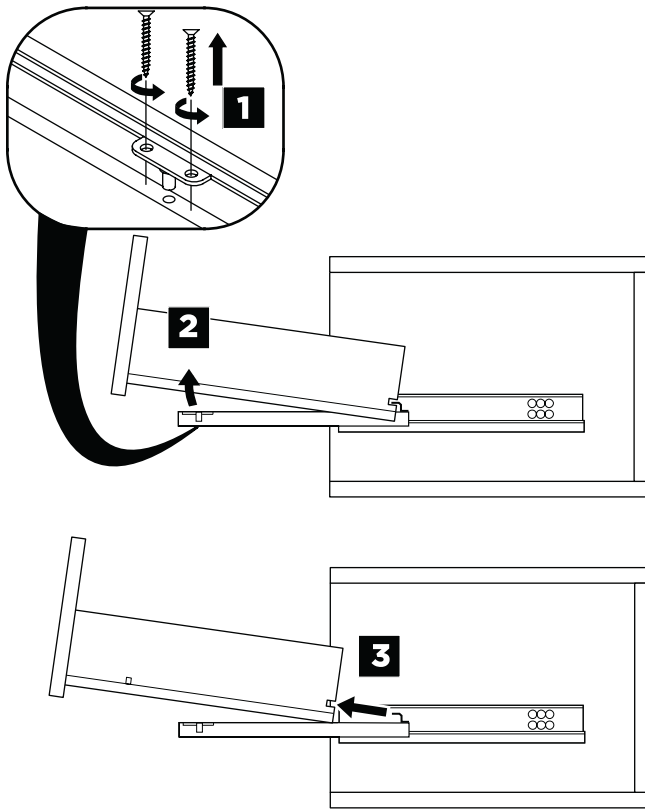


### MIRROR INSTALLATION

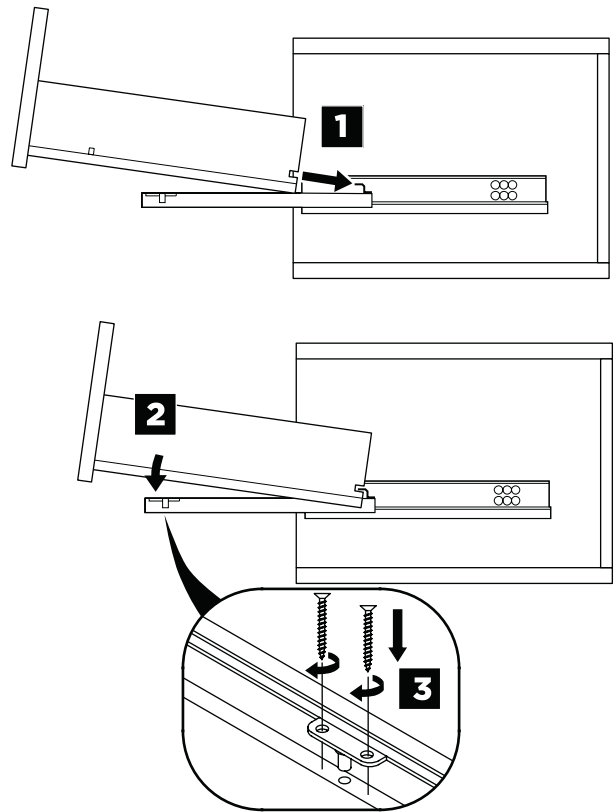


# DRAWER REMOVAL & INSTALLATION

## REMOVAL

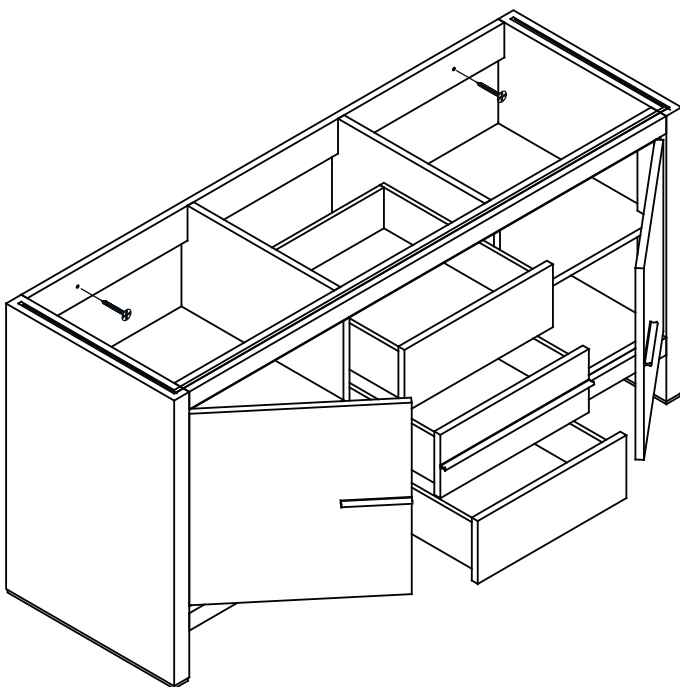


## INSTALLATION

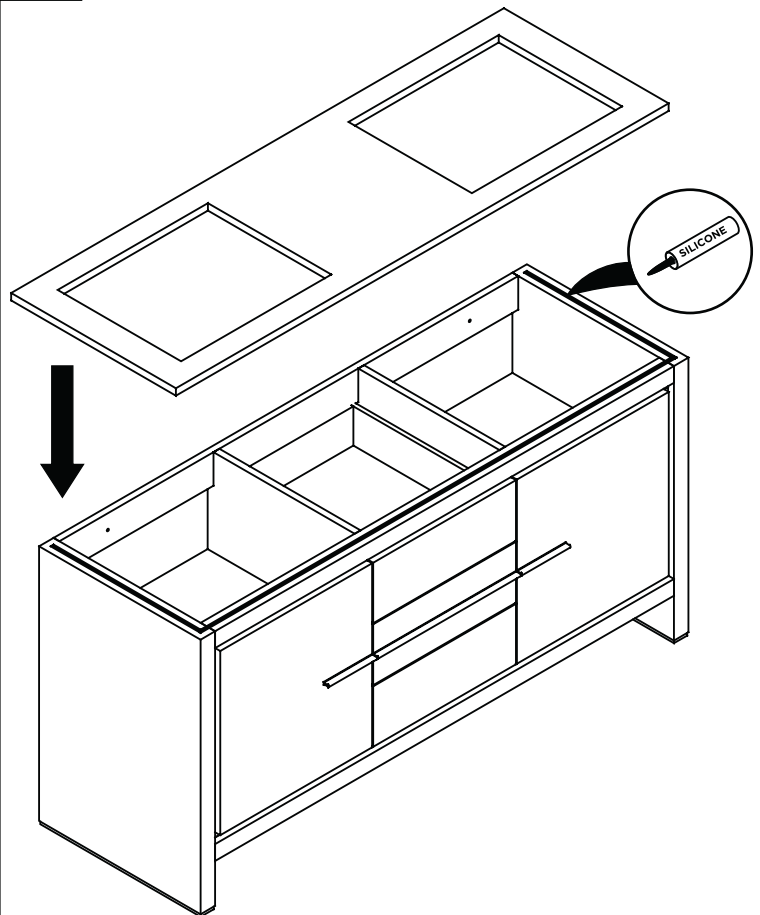


**1** Remove drawer and open the door

**IMPORTANT:** Consult an expert for the proper screws/bolts to use when attaching to various wall constructions. Screws provided do not attach to all wall construction types.

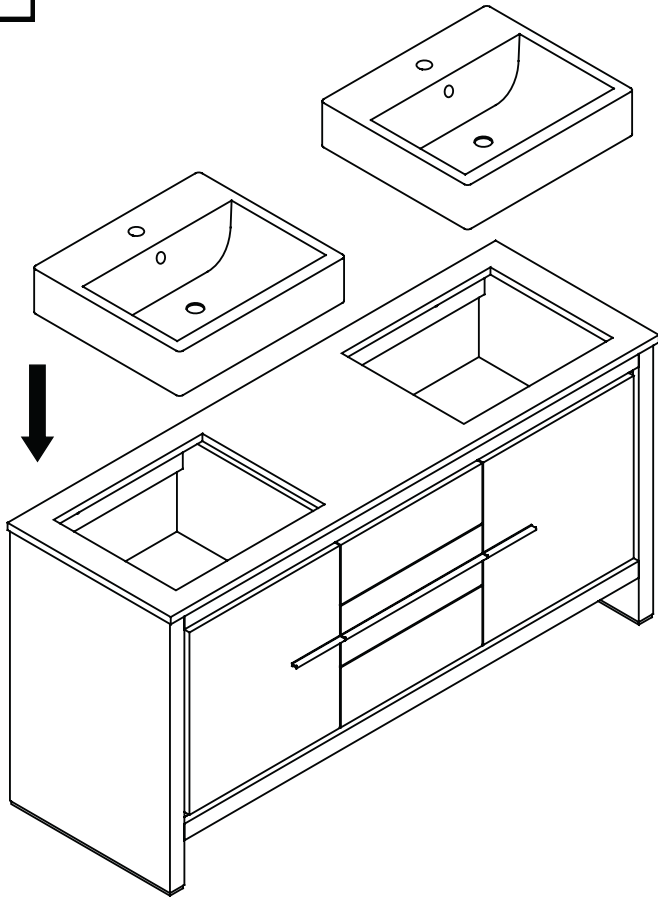


**2** Install top panel



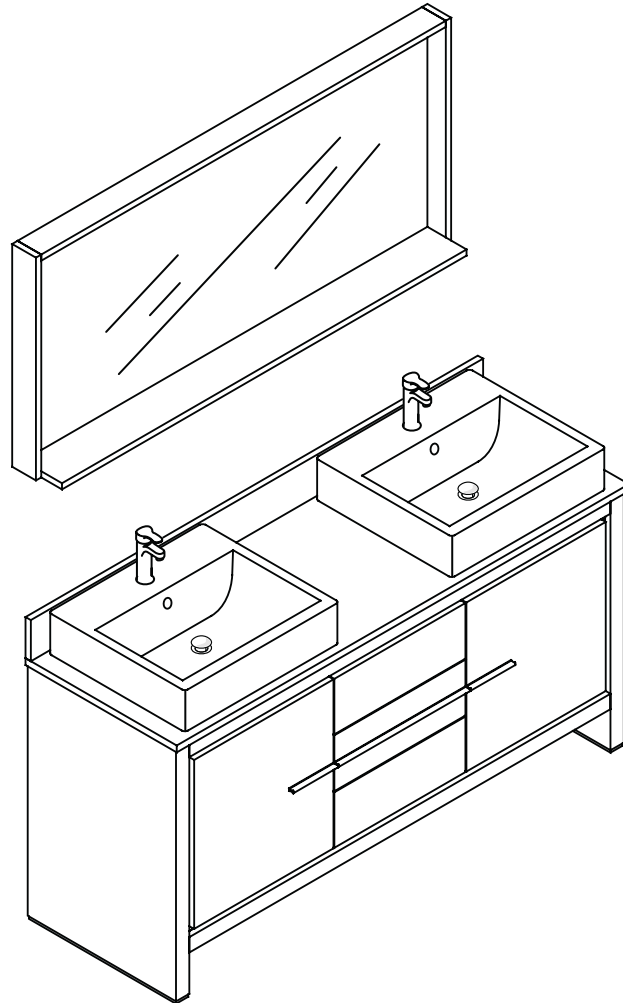
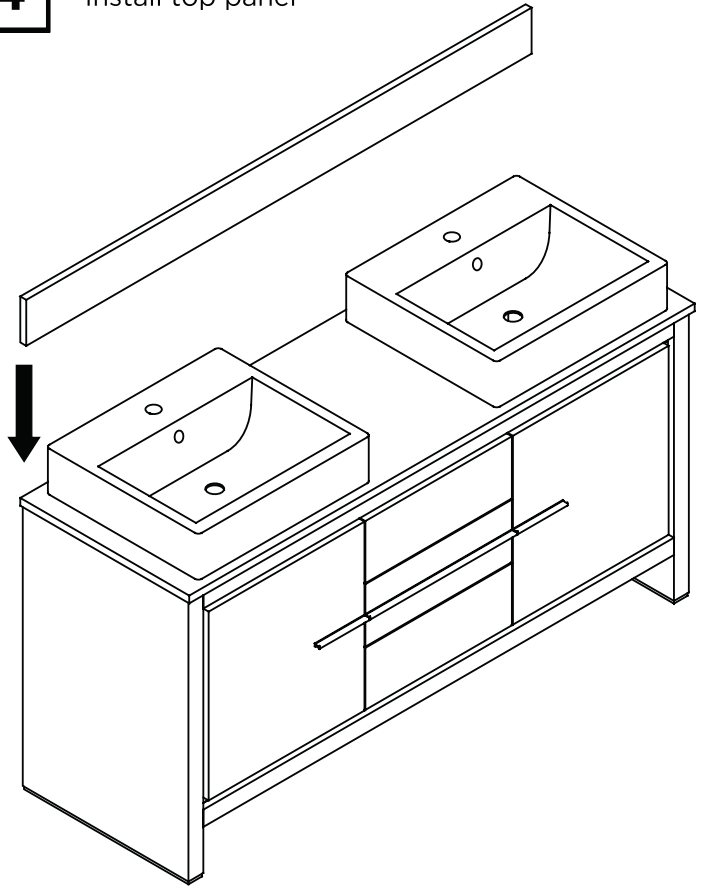
3

Install top panel



4

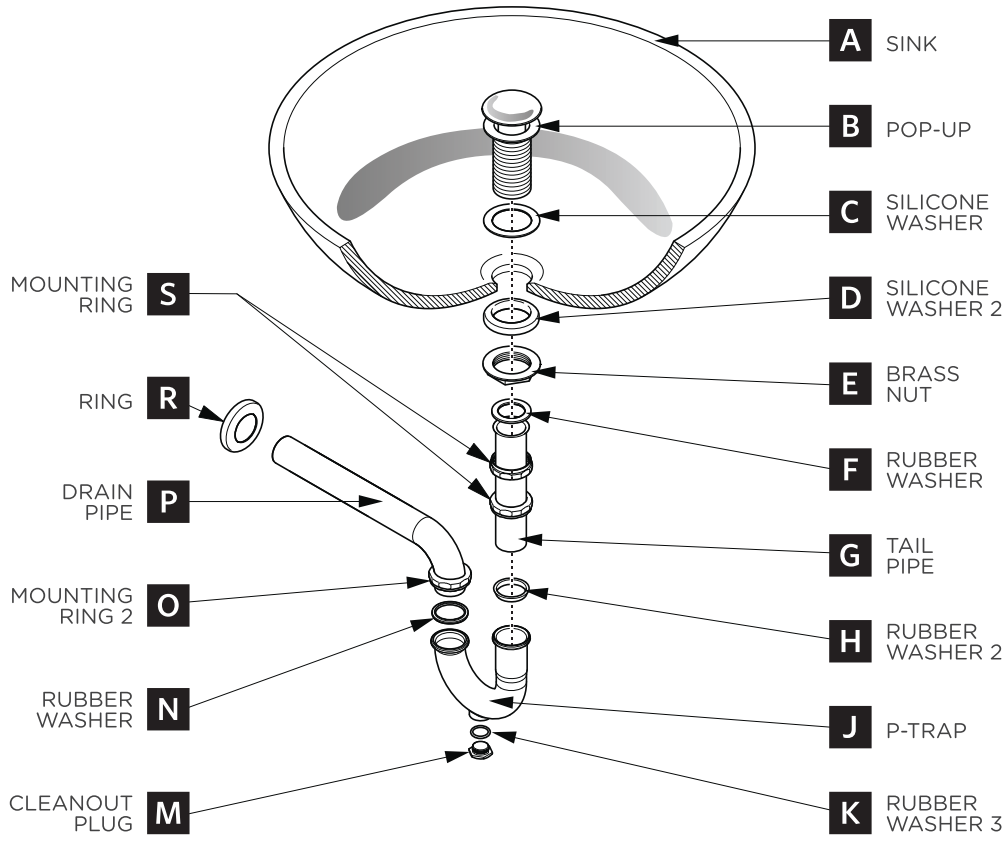
Install top panel



# P-TRAP & POP-UP

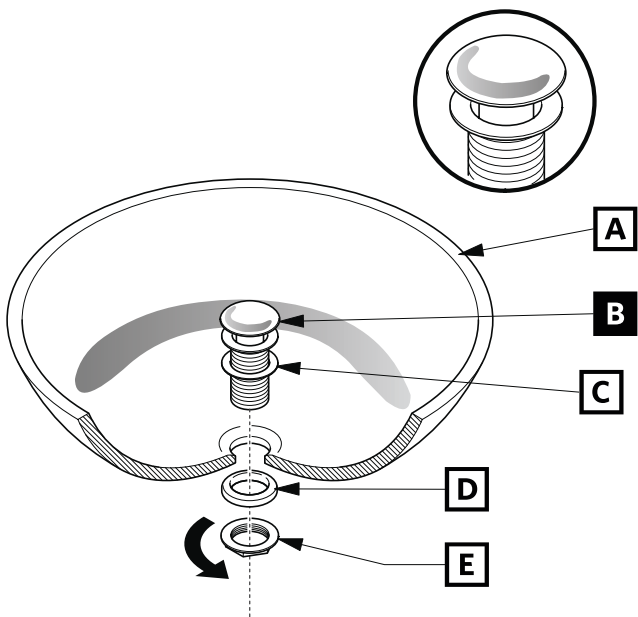
## INSTALLATION INSTRUCTIONS

Your item may appear slightly different from the illustration.



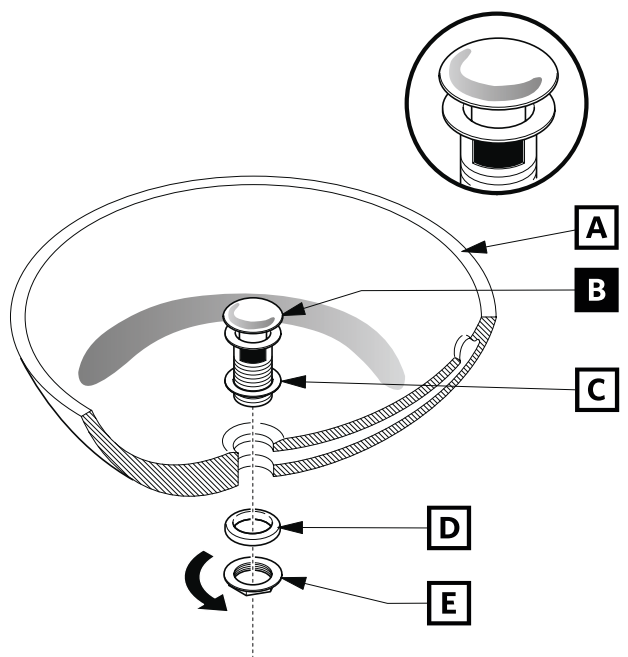
### POP-UP INSTALLATION

#### FOR SINKS WITHOUT OVERFLOW



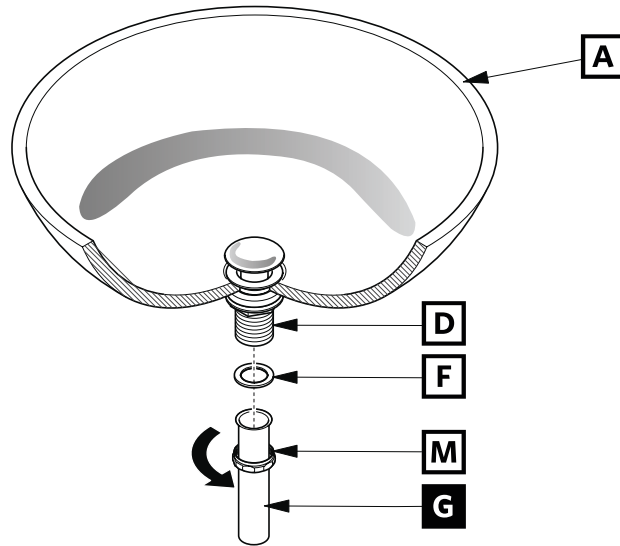
OR

#### FOR SINKS WITH OVERFLOW



# P-TRAP INSTALLATION

**1.** Install tail pipe (G)



**2.** Install P-trap (J)

