

AXOR ShowerSolutions
Thermostatic Module Trim 15" x 5" for 3 Functions
 Product Finish: **chrome** Part no. : **10751001**



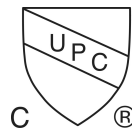
Features

- Thermostatic cartridge
- Outlets may be operated simultaneously
- Flow: 16.0 GPM (60.6 L/Min)
- Anti-scald 100° safety stop

Item details

List Price \$ 2,117.00

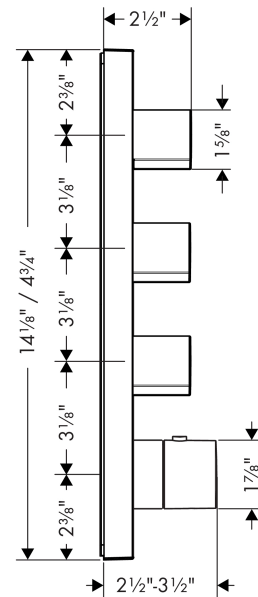
Compliance



Product image



Scale drawing

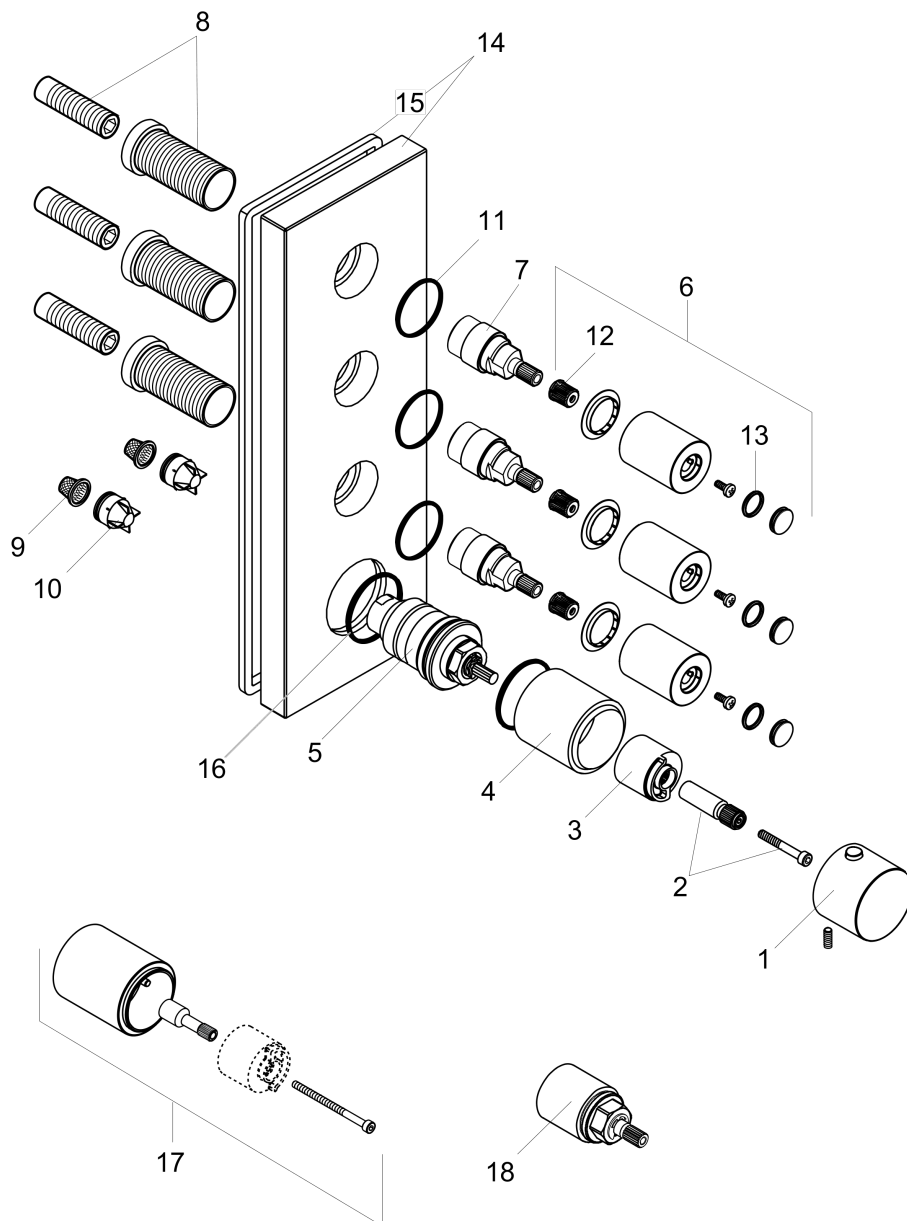


AXOR ShowerSolutions
Thermostatic Module Trim 15" x 5" for 3 Functions
Product Finish: **chrome** Part no. : **10751001**



Exploded drawing

Year of production: >04/09



AXOR ShowerSolutions
Thermostatic Module Trim 15" x 5" for 3 Functions
 Product Finish: **chrome** Part no. : **10751001**



Spare parts list

Year of production: >04/09

Pos.		Part no.	Price	PU
1	handle for thermostat	95316001	-	1
2	adapter for handle	98701000	-	1
3	safety set for temperature control	97334000	-	1
4	sleeve	95331000	-	1
5	thermostat cartridge	96633000	-	1
6	handle	96298001	-	1
7	adapter for handle	95153000	-	1
8	fixing set	96393000	-	1
9	filter	97973000	-	1
10	set of non return valves DW 15	97350000	-	1
11	O-ring 26x2	98147000	-	1
12	handle fixing set	98932000	-	1
13	O-ring 13x2	98128000	-	1
14	escutcheon	95317000	-	1
15	seal	95885000	-	1
16	O-ring 48x4	98414000	-	1
17	extension 25 mm	10790000	-	1
18	extension 25 mm	96370000	-	1
a	base body	10750181	-	1