

FEATURES

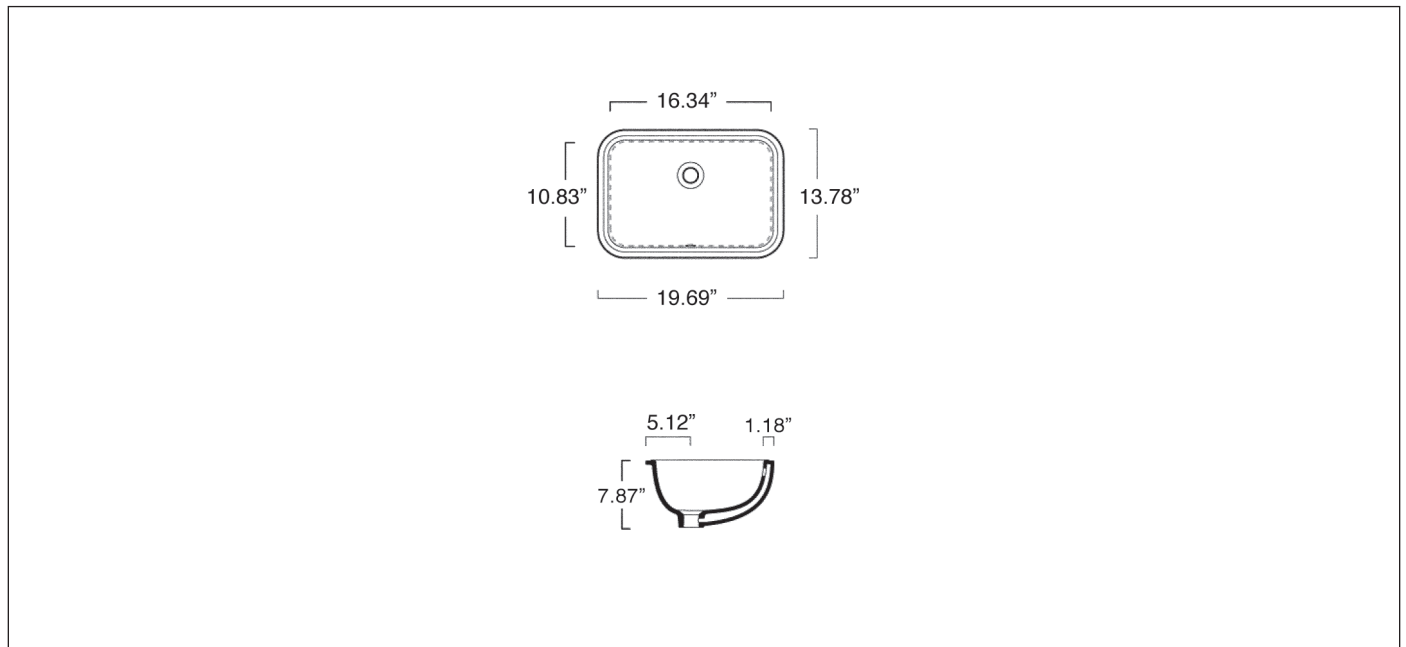
- Single washbasin made of pressure-cast fireclay.
- Cata-glaze, lifetime treatment. A total bacteria-proof barrier.
- Install under counter. With overflow.
- No faucet holes.

SIZE: W19.69" x D13.78" x H7.87"

SHIP WEIGHT: 17.11 lbs.

To Be Specified:

	Model No.	Color
<input type="checkbox"/>	1S50CN00	White



CANOVA ROYAL