

FEATURES

- Single washbasin made of pressure-cast fireclay.
- Cata-glaze, lifetime treatment. A total bacteria-proof barrier.
- Install wall-hung, semi-inset, sit-on.
- 0 or 1 faucet hole. Must specify number of holes and hole position.

OPTIONS

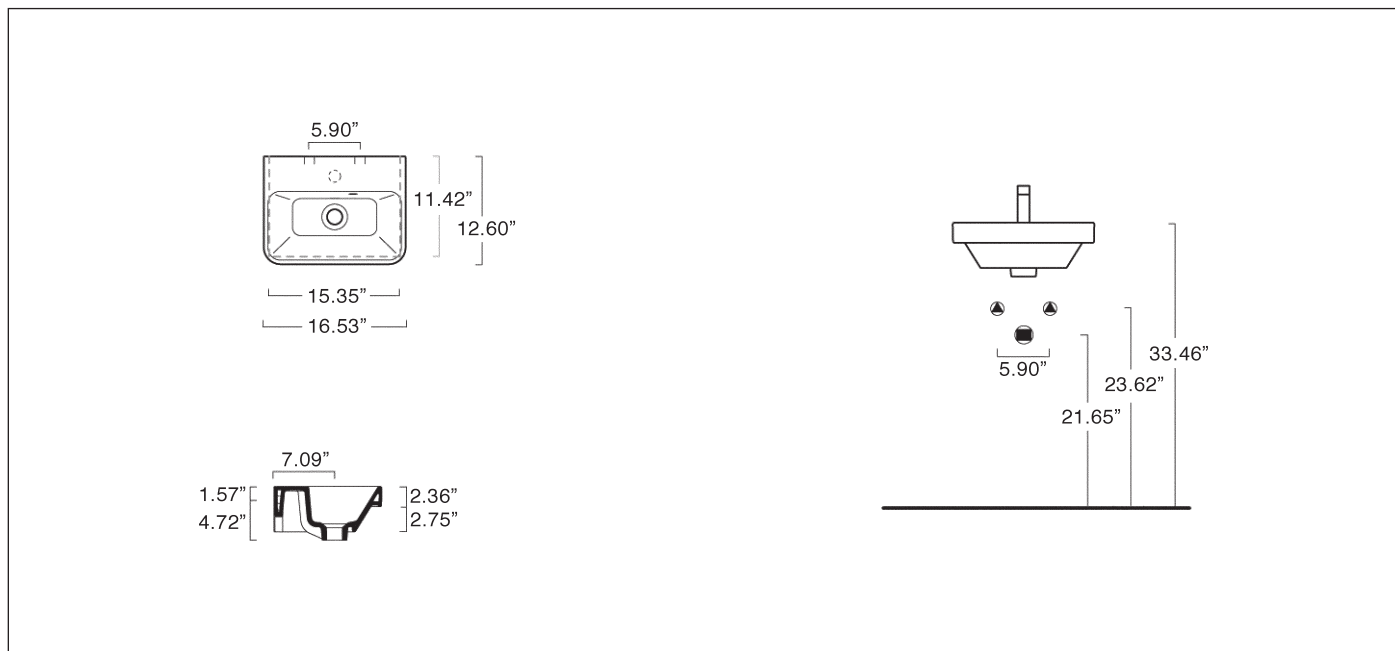
- 5P40PR Front Towel Rail constructed of brass with chrome finish (shown right).

SIZE: W16.53" x D12.6" x H5.11"

SHIP WEIGHT: 22.05 lbs.

To Be Specified:

	Model No.	Color
<input type="checkbox"/>	142SPR00	White



PROIEZIONI