

FEATURES

- Single washbasin made of pressure-cast fireclay.
- Cata-glaze, lifetime treatment. A total bacteria-proof barrier.
- Install wall-hung, semi-inset, sit-on or on pedestal.
- 0 or up to 3 faucet holes. Must specify number of holes and hole position.

OPTIONS

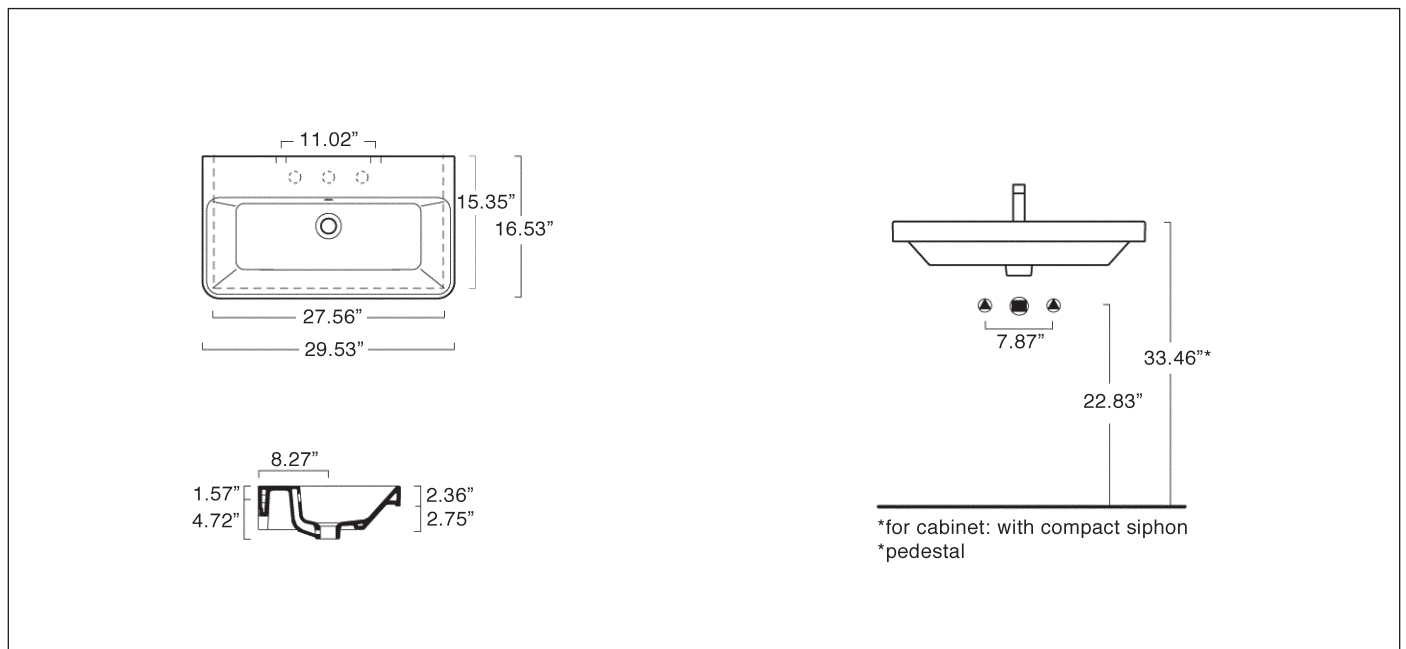
- 5P90PR Front Towel Rail constructed of aluminum with chrome finish (shown right).
- 1COPR Pedestal pressure-cast fireclay. W7.87" x H27.56"

SIZE: W29.53" x D16.53" x H5.11"

SHIP WEIGHT: 44.2 lbs.

To Be Specified:

	Model No.	Color
<input type="checkbox"/>	175PR00	White



PROIEZIONI