

FEATURES

- Double washbasins made of pressure-cast fireclay.
- Cata-glaze, lifetime treatment. A total bacteria-proof barrier.
- Install wall-hung, semi-inset or sit-on.
- 0, 1 or 3 double faucet holes. Must specify number of holes and hole position.

OPTIONS

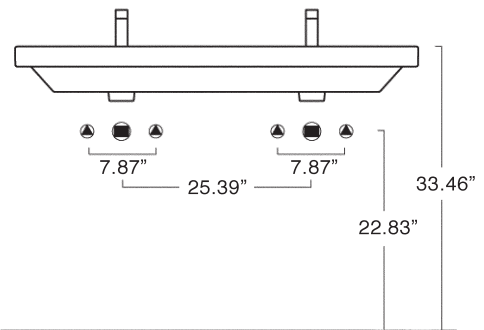
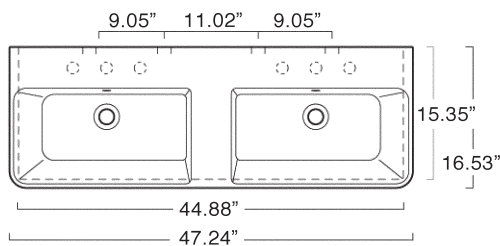
- 5P12PR Front Towel Rail constructed of aluminum with chrome finish (shown right)

SIZE: W47.24" x D16.53" x H5.11"

SHIP WEIGHT: 66.2 lbs.

To Be Specified:

	Model No.	Color
<input type="checkbox"/>	1120PR00	White



*for cabinet: with compact siphon