

FEATURES

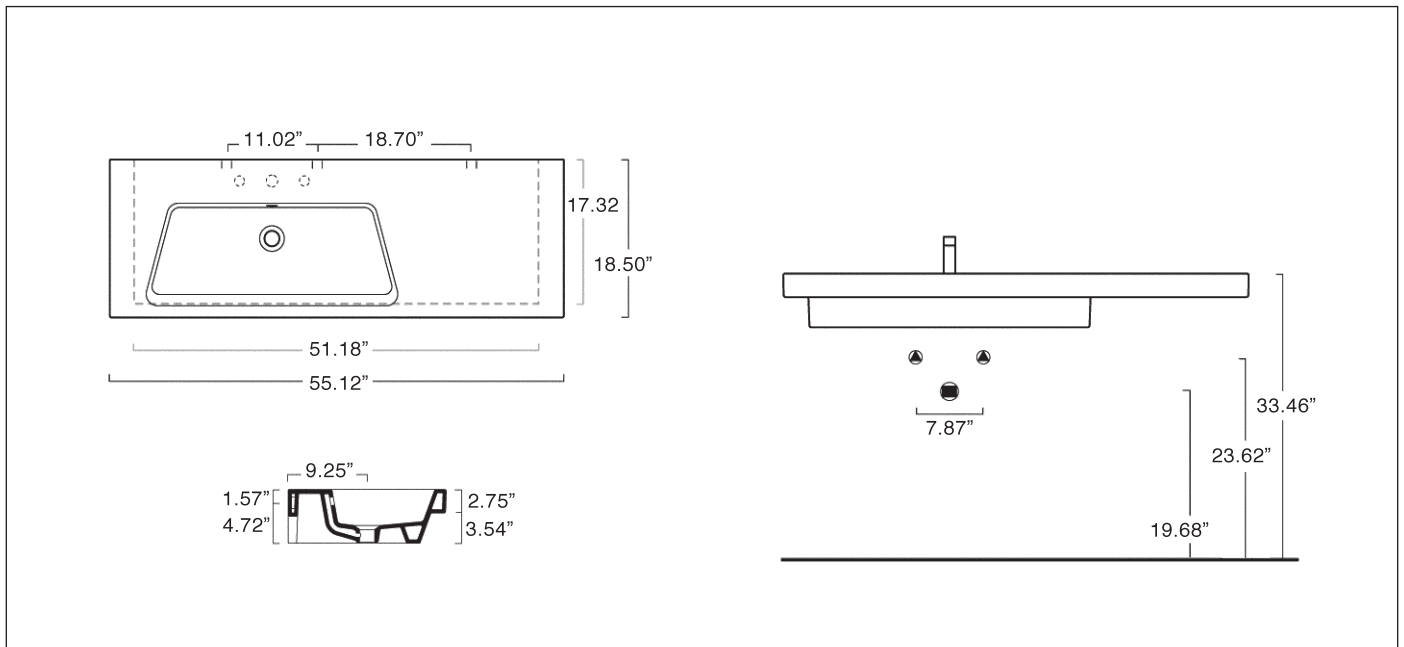
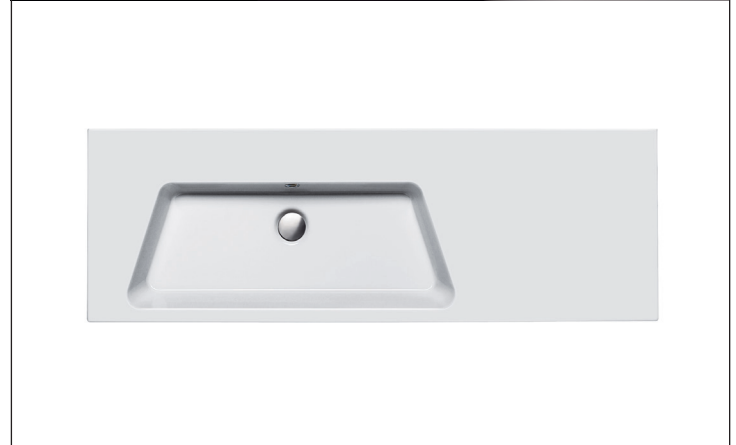
- Single washbasin made of pressure-cast fireclay.
- Asymmetric sink and wide multifunctional counter.
- Cata-glaze, lifetime treatment. A total bacteria-proof barrier.
- Install wall-hung, semi-inset, sit-on a countertop.
- 0 up to 3 faucet holes. Must specify number of holes and hole position.

SIZE: W55.12" x D18.5" x H6.29"

SHIP WEIGHT: 88.3 lbs.

To Be Specified:

	Model No.	Color
<input type="checkbox"/>	114PR00	White



PROIEZIONI