



# FVN6224-UNS

# TORINO

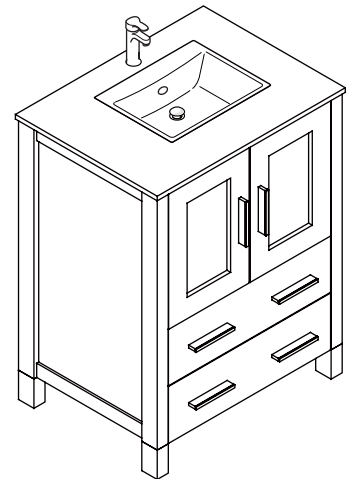
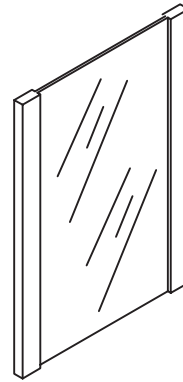
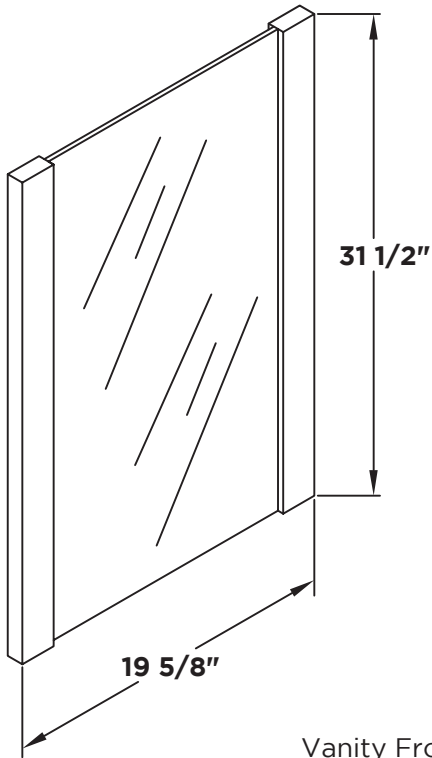
## INSTALLATION GUIDE

### CONTENTS:

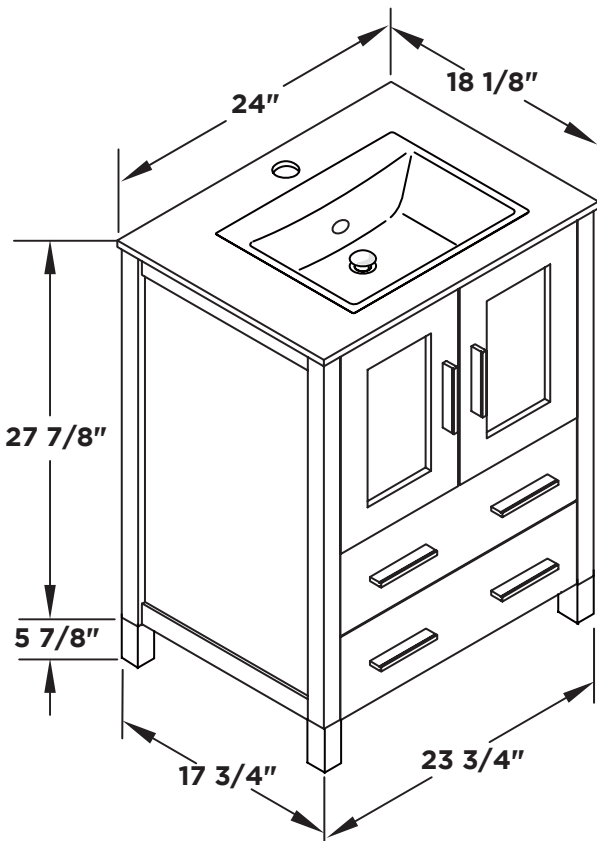
Cabinet...(FCB6224).....	PAGE 3 (STEP 3)
Sink.....(FVS6224).....	PAGE 4 (STEP 4)
Mirror.....(FMR6224).....	PAGE 2



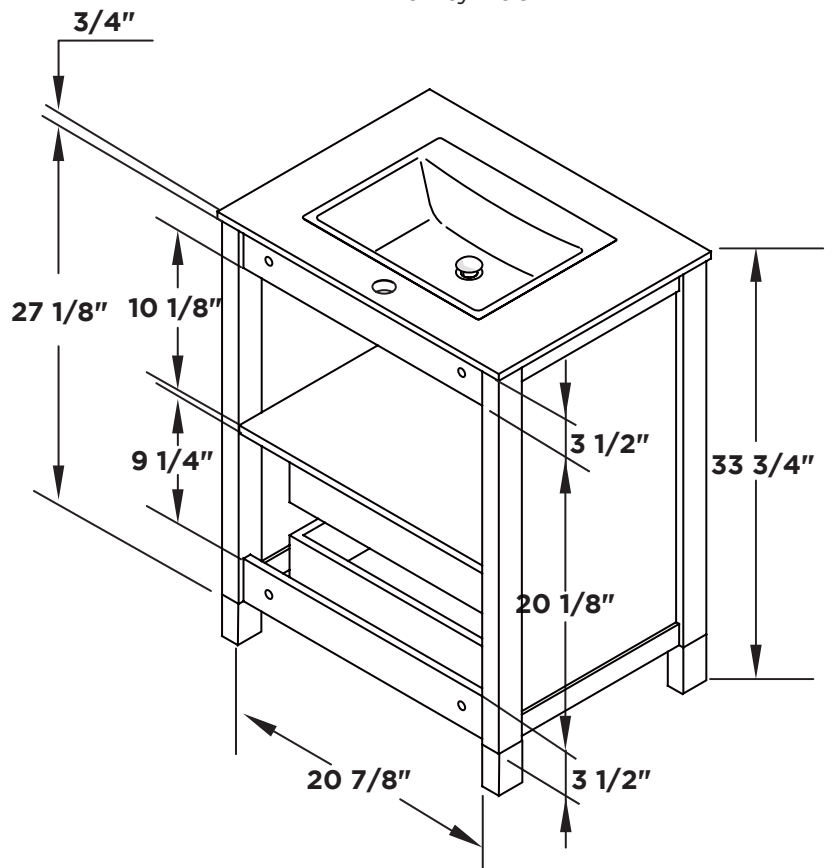
Mirror



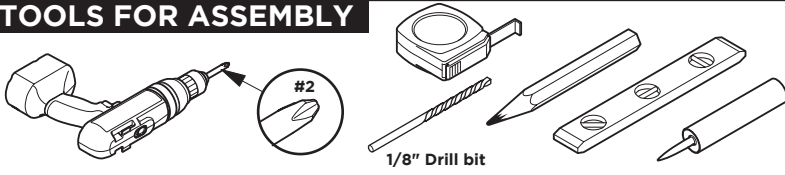
Vanity Front



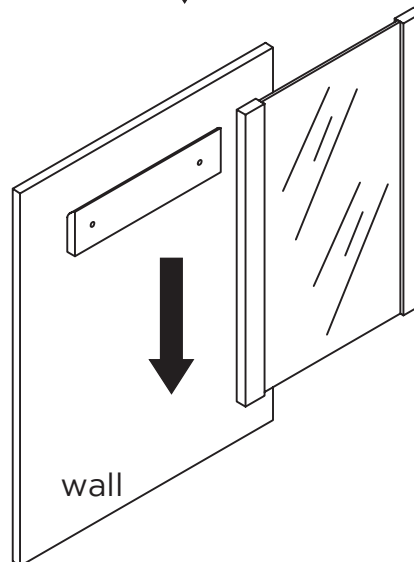
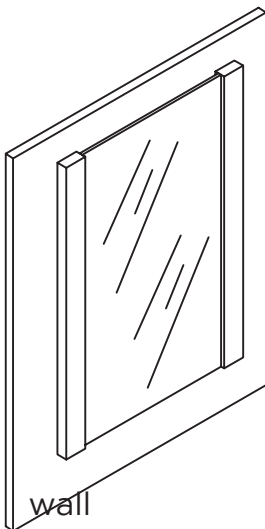
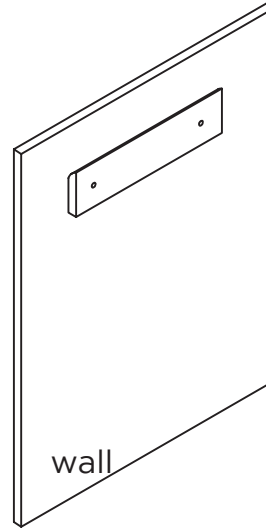
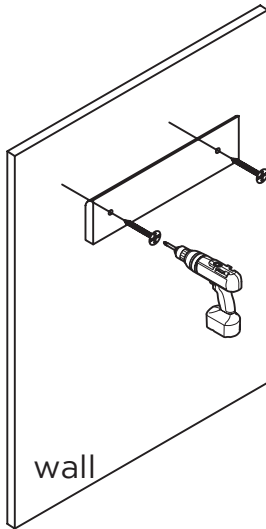
Vanity Back



**TOOLS FOR ASSEMBLY**

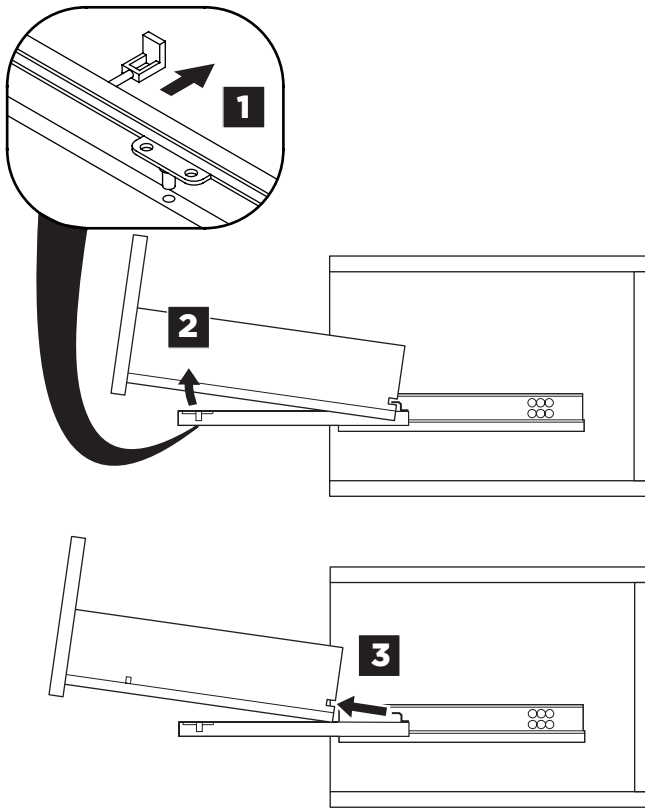


**MIRROR INSTALLATION**

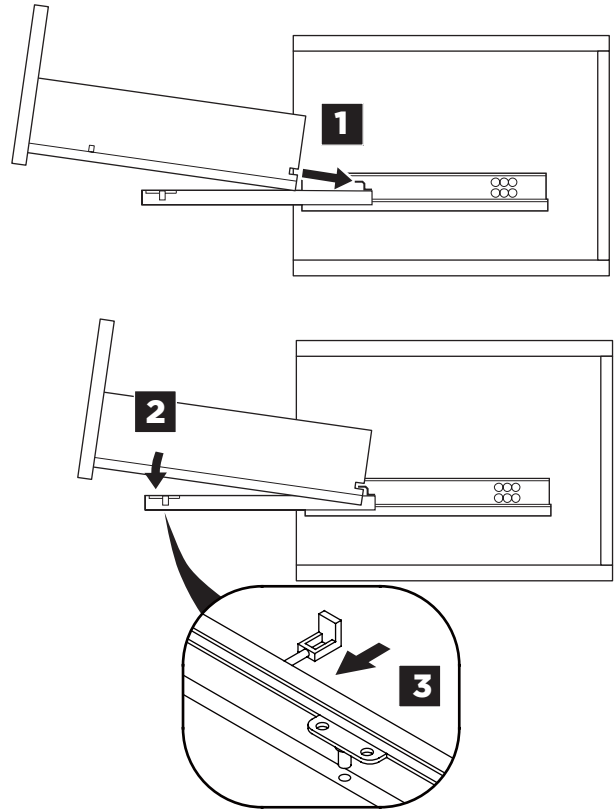


# DRAWER REMOVAL & INSTALLATION

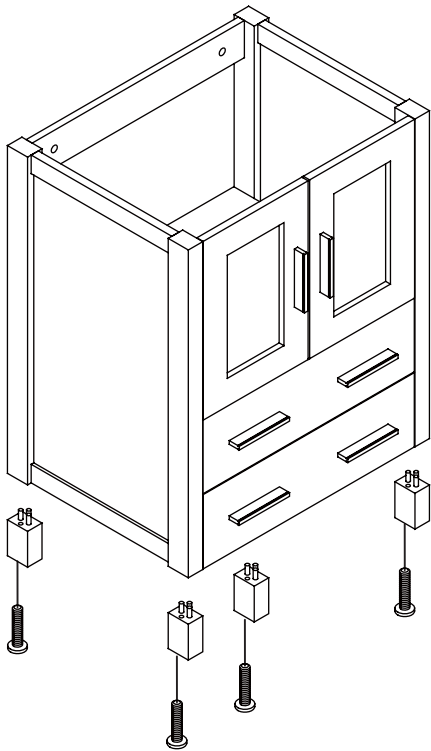
## REMOVAL



## INSTALLATION



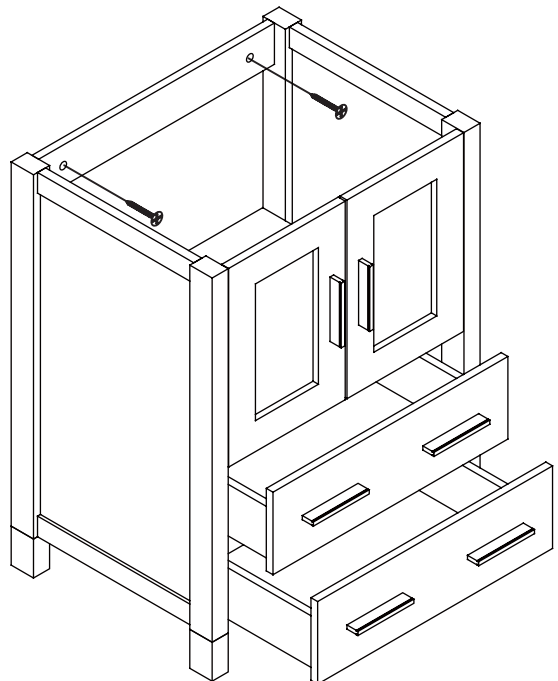
### 1 Install legs



### 2 Remove drawer

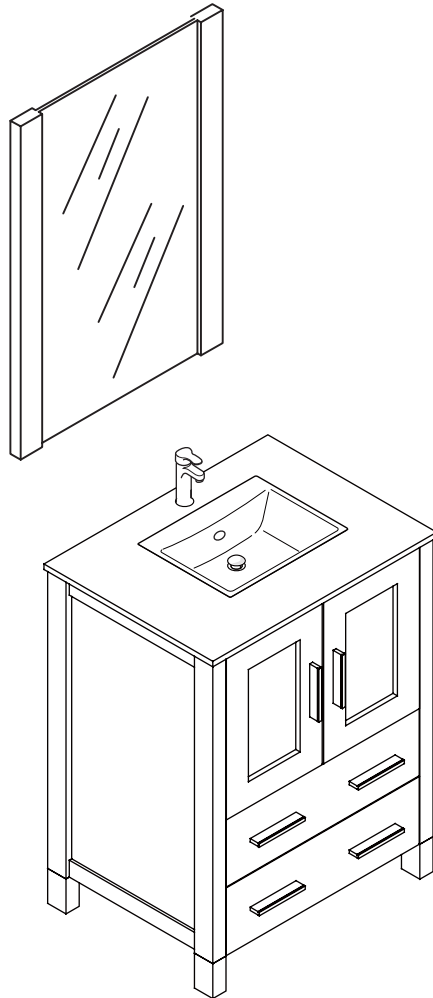
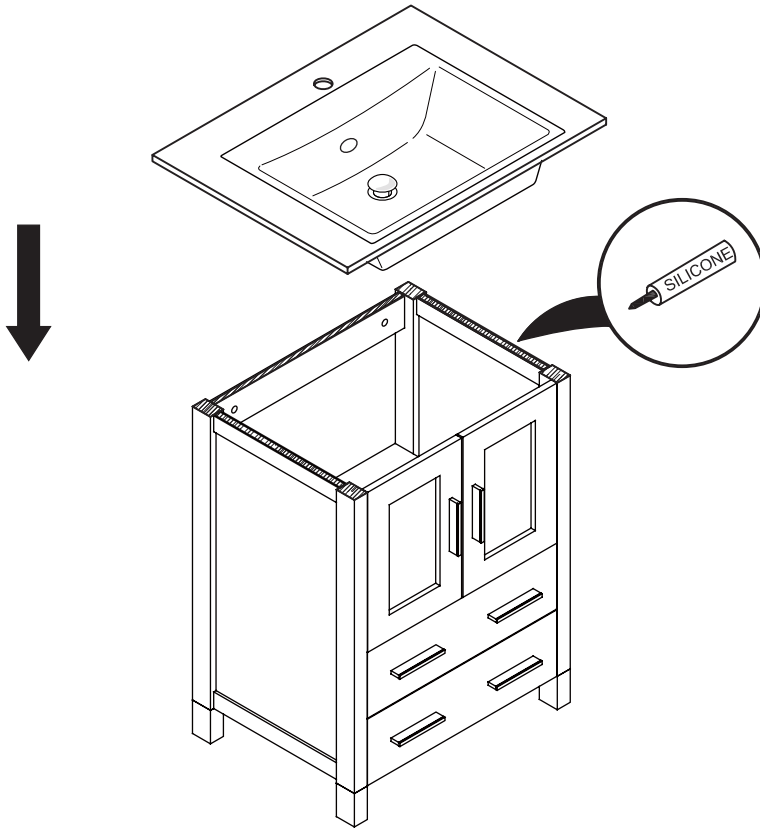
### 3 Install cabinet

**IMPORTANT:** Consult an expert for the proper screws/bolts to use when attaching to various wall constructions. Screws provided do not attach to all wall construction types.

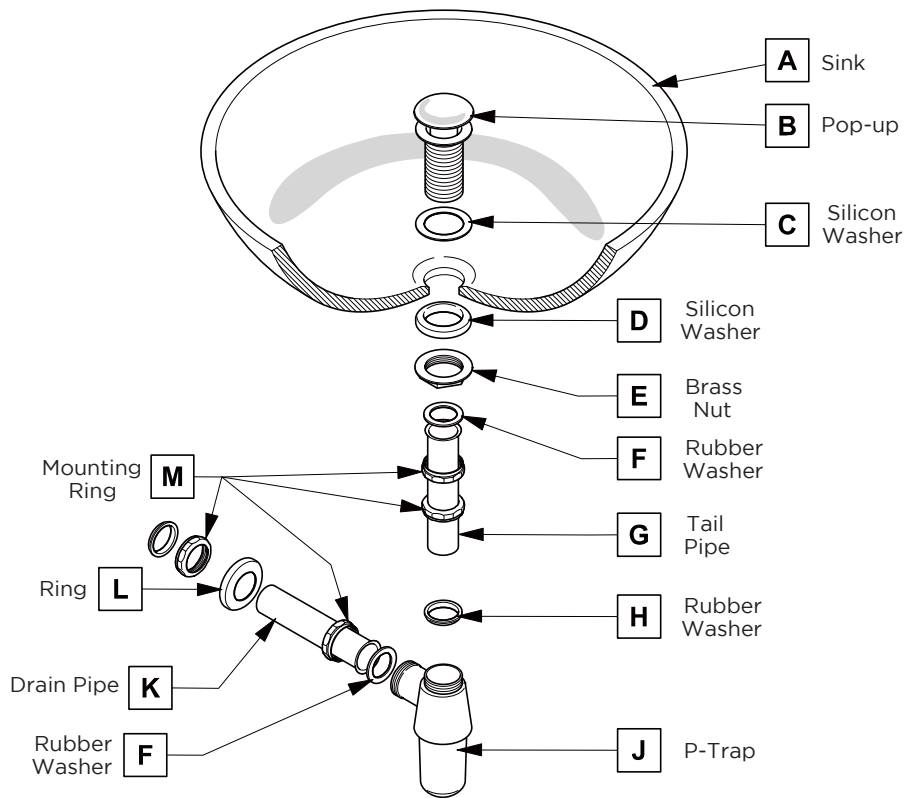


4

Install top panel

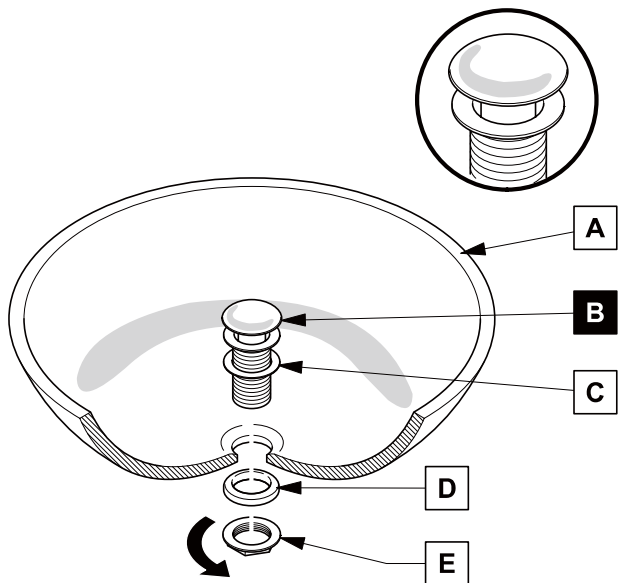


## P-TRAP AND POP-UP INSTALLATION INSTRUCTIONS



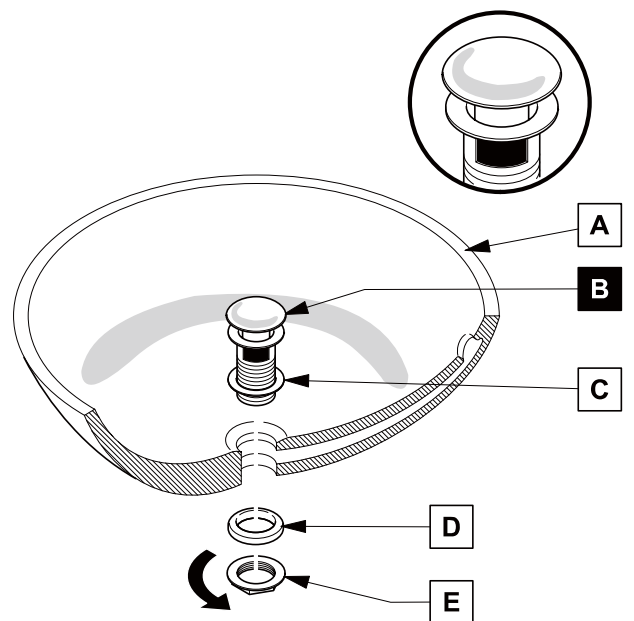
### POP-UP INSTALLATION

#### FOR SINKS WITHOUT OVERFLOW



OR

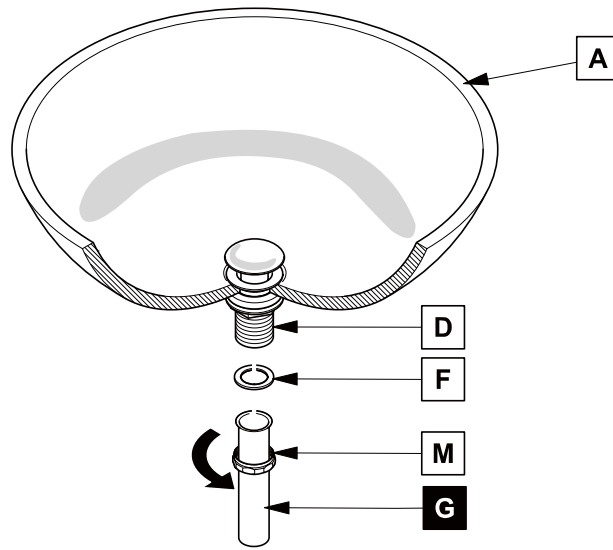
#### FOR SINKS WITH OVERFLOW



# P-TRAP INSTALLATION

1

Install tail pipe (G)



2

Install p-trap (J)

