

**MATERIALS NEEDED:**  
 PHILIP SCREWDRIVER  
 LEVELING TOOL  
 DRILL

**MATERIAL PROVIDED:**  
 (2)WOOD SCREWS  
 (2)ANCHORS

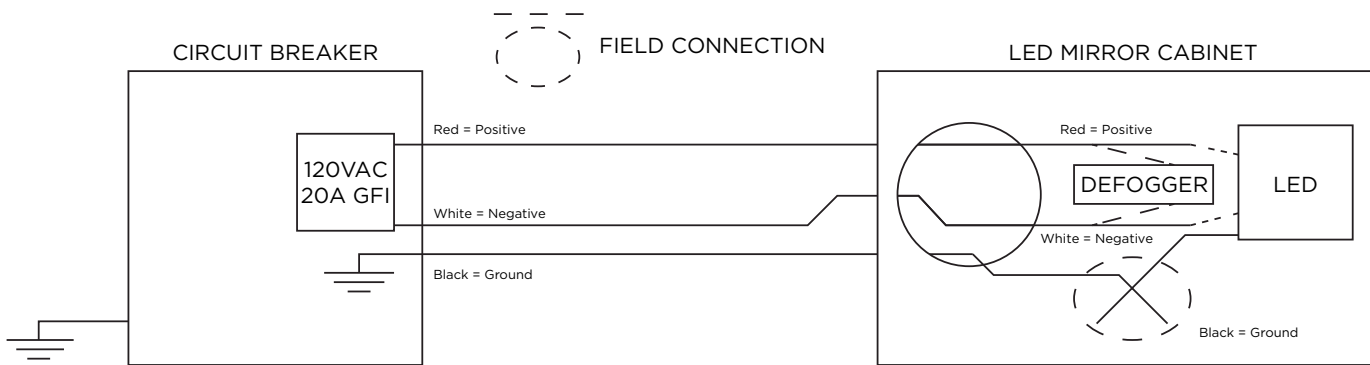
**ALL WIRING SHOULD BE DONE BY A QUALIFIED LICENSED ELECTRICIAN.**

**WARNING:** To reduce the risk of electrical shock, shut off power before wiring the cabinet.

**CAUTION:** Requires 120V 20AMP circuit.

**CAUTION:** The LED mirror must be wired to a 20AMP GFI (ground fault interrupter) circuit breaker when used in bathrooms and all other locations required by the national electric code.

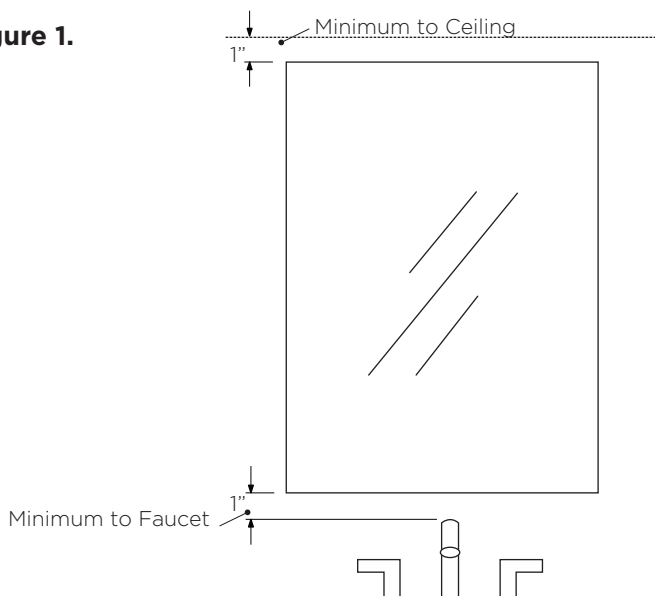
**WIRING DIAGRAM:**



**Figure 1.**

**STEP 1:** Determine the ideal location of your new LED mirror. Make sure mirror has enough clearance from faucet and ceiling.

See Figure 1.



**STEP 2:** Use the template provided to mark the locations of the pilot holes by placing it over the potential location of the mirror. Make sure to use the leveling tool to ensure the pilot holes are level.

**STEP 3:** Secure the anchors in the wall, and then fasten the screws provided into the anchor.

**Note:** Allow about 1/8" clearance from screw head to wall.

**STEP 4:** If the mirror is not flush to the wall it is recommended to cut an opening in the wall and hide your wires inside the wall.

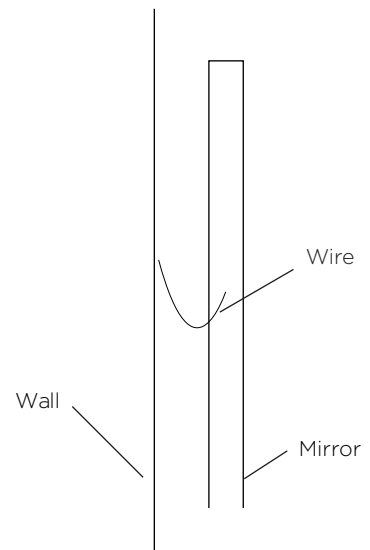
*See Figure 2.*

**Note:** Connect the defogger and LED wires per the wiring diagram.

**STEP 5:** Line up the keyhole hardware on the back of the mirror to the screws on the wall, and allow the mirror to sit in place.

*See Figure 3.*

**Figure 2.**



**Figure 3.**

