

MODEL: 213325-1-WH
213331-1-WH
213337-1-WH

SPECIFICATION SHEET

Ceramic Utility Sink

Ceramic utility sink top without overflow (standard)
Uses cUPC approved 3-1/2" kitchen sink drain
(not included)

Codes/Standards Applicable

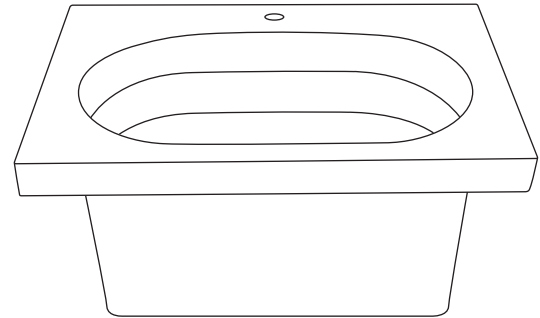
Specified model meets or exceeds the following:

- ASME A112.19.2
- IAPMO/cUPC®
- CSA B45
- CMR 248

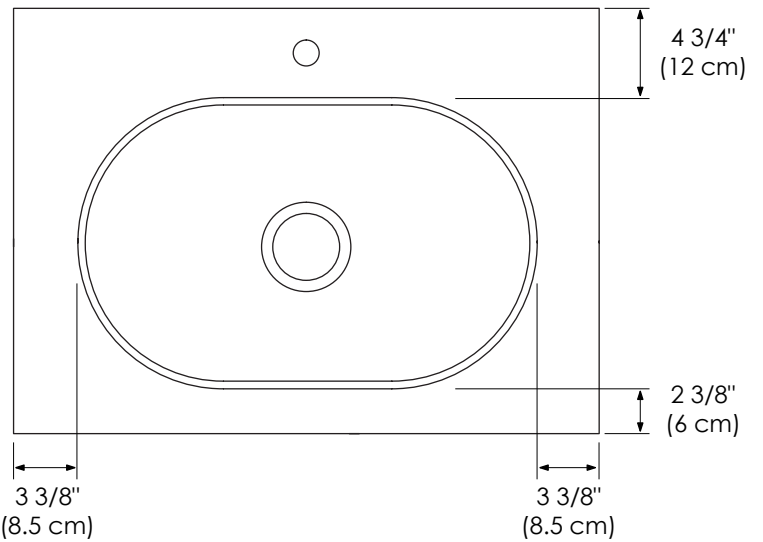
Available Colors: WHITE WH Faucet: SINGLE FAUCET HOLE

31" Ashland Ceramic Utility Sinktop fits the following 30" vanities:

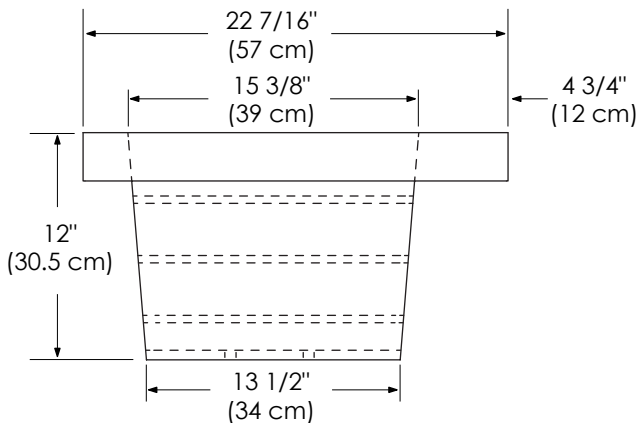
- ARDEN
- BRIELLA
- HAMPTON
- JUNO
- PORTLAND
- SHAKER
- SHOJI
- SOPHIE



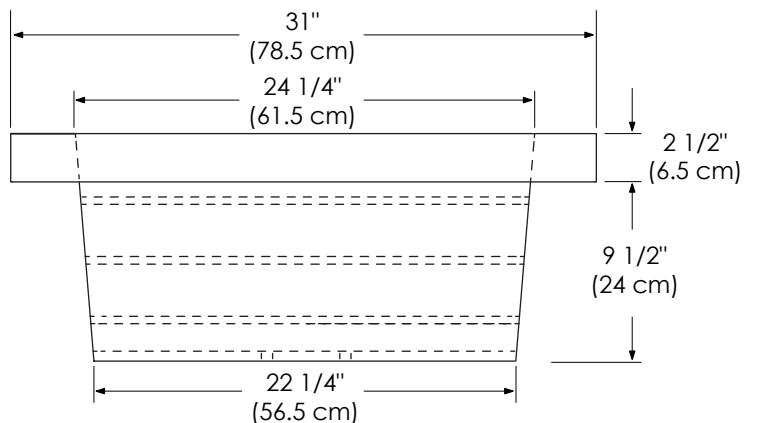
TOP VIEW



SIDE VIEW



FRONT VIEW



By IAPMO, ceramic lavatory warpage is defective only if warpage of flat slab out of horizontal plane exceeds 6.3 mm/m (0.25 in/ft) on all sizes OR warpage on back of lavatories that are attached to the wall exceeds 3 mm (0.13 in).