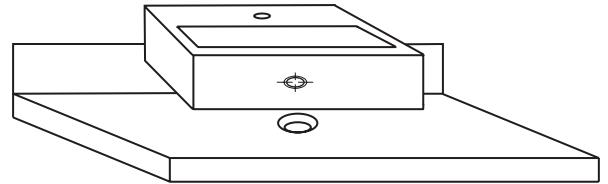


Note : For Stone Sinks without overflow

Step 1 : Position countertop drain opening to ensure clearance between the lavatory, faucet & backsplash. Cut 1-3/4" hole for drain in countertop

See Figure 1.

Figure 1.

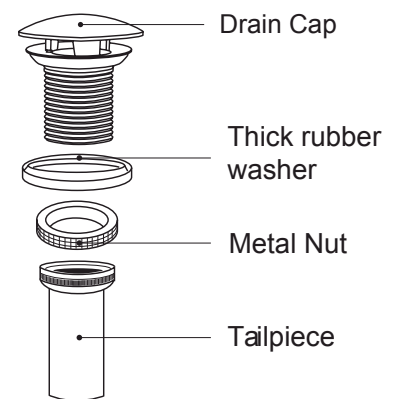


Step 2 : Place a generous portion of plumbers' putty under drain cap and insert whole drain body inside the bowl and through the countertop.

(There may be a small beveled rubber washer packaged with your drain, please discard this and use plumbers' putty instead)

See Figure 2.

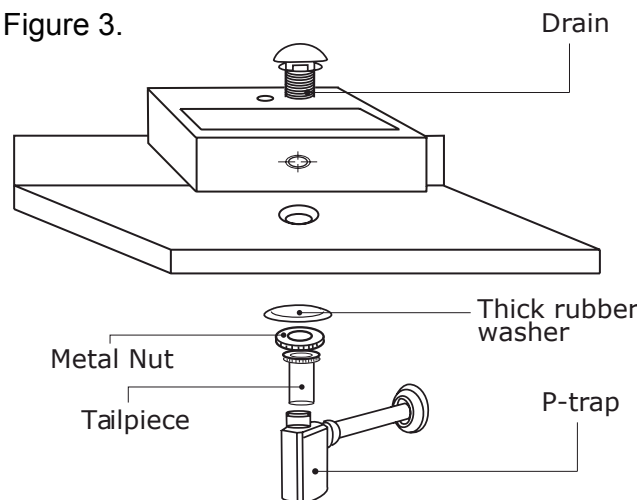
Figure 2.



Step 3 : From under the drain, insert the thick rubber washer and screw on and tighten the metal nut. Remove excess plumbers' putty

See Figure 3.

Figure 3.



Step 4 : Attach p-trap to tailpiece.