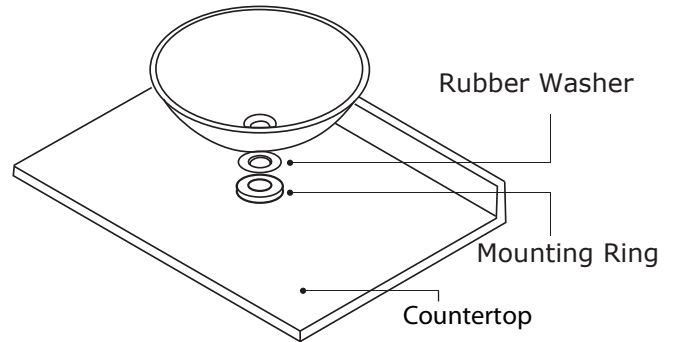


Model: 420101	420306	420523
420102	420520	420527
420201	420521	420529
420301	420522	420819

Note : **DO NOT USE** any adhesives with silicone. Silicone will bond to the decorative finish and cause permanent damage

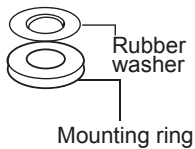
Step 1 : Position and drill a 1-3/4" hole for the drain on the countertop

Step 2 : Place mounting ring under the sink as shown on the right



Mounting Ring Detail

Horizontal view



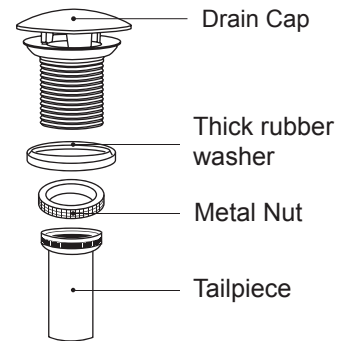
Vertical view



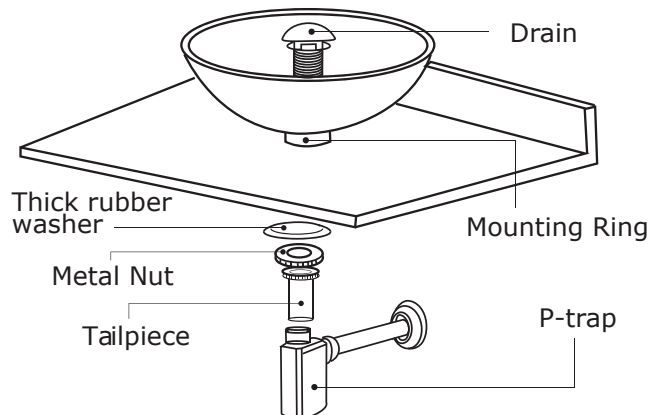
Step 3 : **Drain assembly picture**

Place a generous portion of plumbers' putty under drain cap and insert whole drain body inside the bowl and through the countertop

(There may be a small beveled rubber washer packaged with your drain, please discard this and use plumbers' putty instead)



Step 4 : From under the drain, insert the thick rubber washer and screw on and tighten the metal nut. Remove excess plumbers' putty



Step 5 : Attach p-trap to tailpiece