

48"

Item Number:

150-V48-ANW

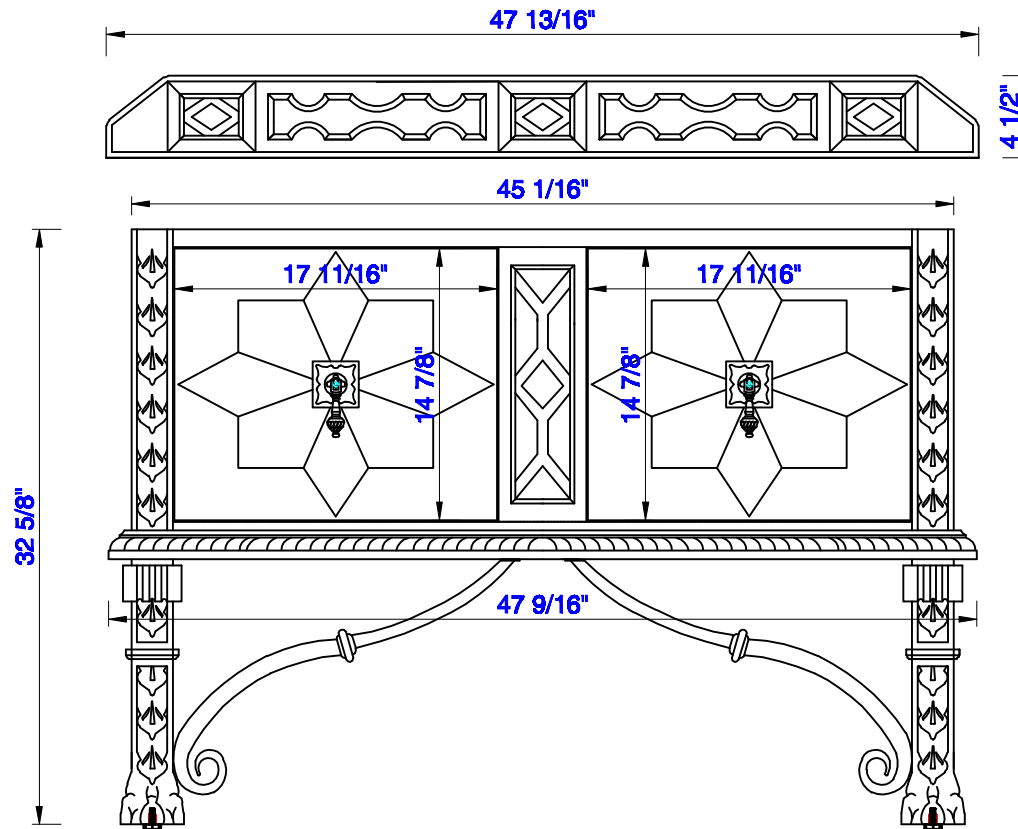
JAMES MARTIN



VANITIES

Balmoral 48" Cabinet

Diagrams with Dimensions
page 01 of 03



NOTE ONE: Countertops are not shown in these diagrams. (Cabinet Only)

NOTE TWO: Wood Backsplash (Shown) is designed for the molding detail to align with sinks in James Martin's Optional Countertops. Customers' own countertops and sinks may align differently.

Please consult our website for Countertop Diagrams: www.jamesmartinvanities.com

48"

Item Number:

150-V48-ANW

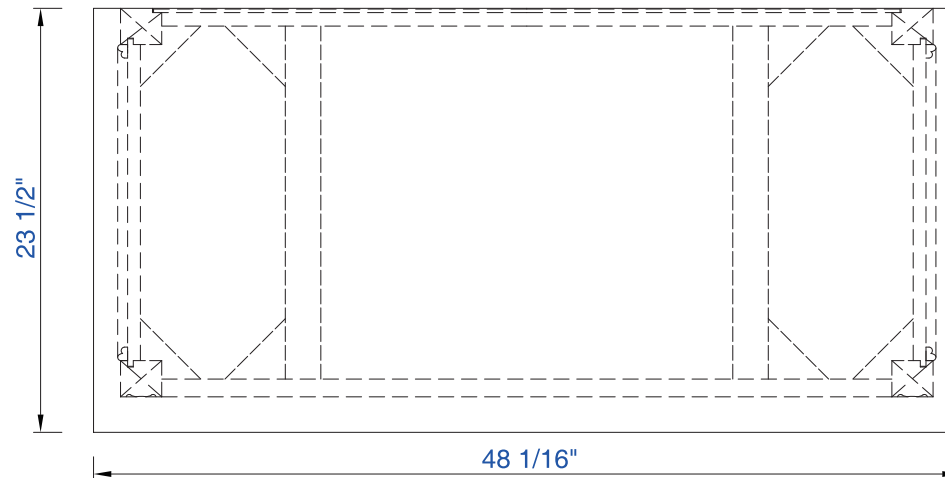
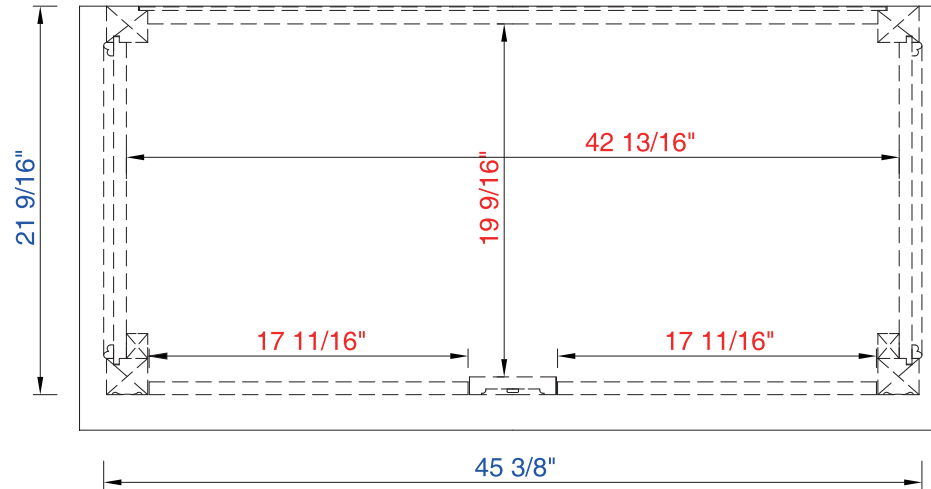
JAMES MARTIN



VANITIES

Balmoral 48" Cabinet

Diagrams with Dimensions
page 02 of 03



NOTE ONE: Countertops are not shown in these diagrams. (Cabinet Only)

48"

Item Number:

150-V48-ANW

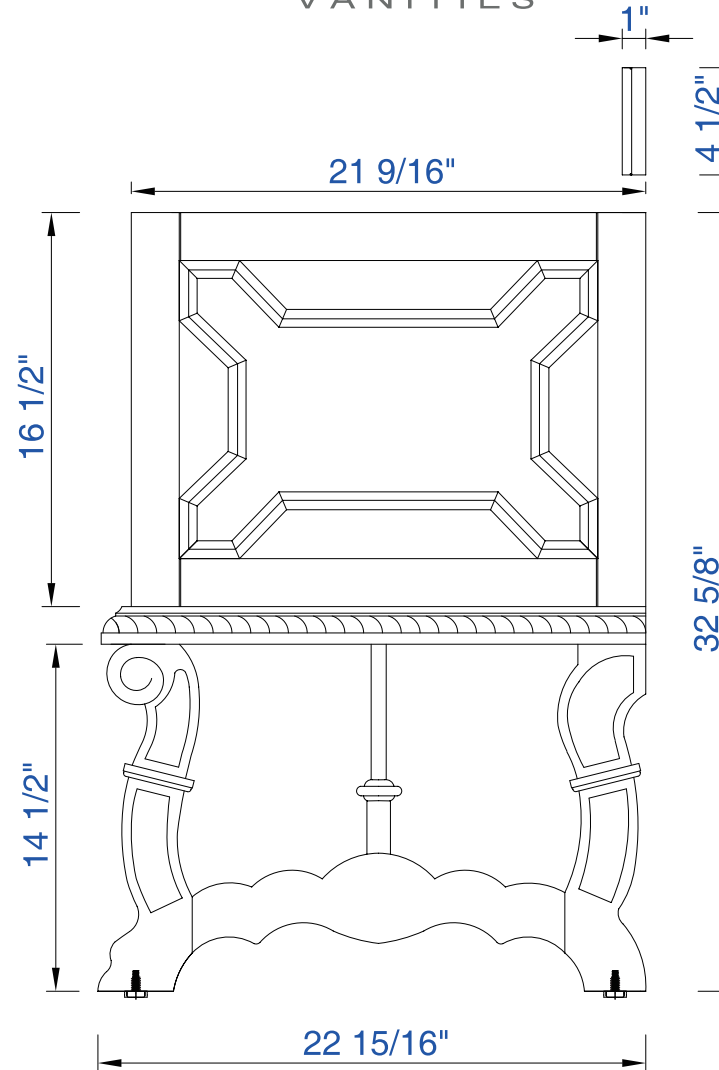
JAMES MARTIN



VANITIES

Balmoral 48" Cabinet

Diagrams with Dimensions
page 03 of 03



NOTE ONE: Countertops are not shown in these diagrams. (Cabinet Only)

NOTE TWO: Wood Backsplash (Shown) is designed for the molding detail to align with sinks in James Martin's Optional Countertops. Customers' own countertops and sinks may align differently.

Please consult our website for Countertop Diagrams: www.jamesmartinvanities.com

1220mm

Item Number:
150-V48-ANW

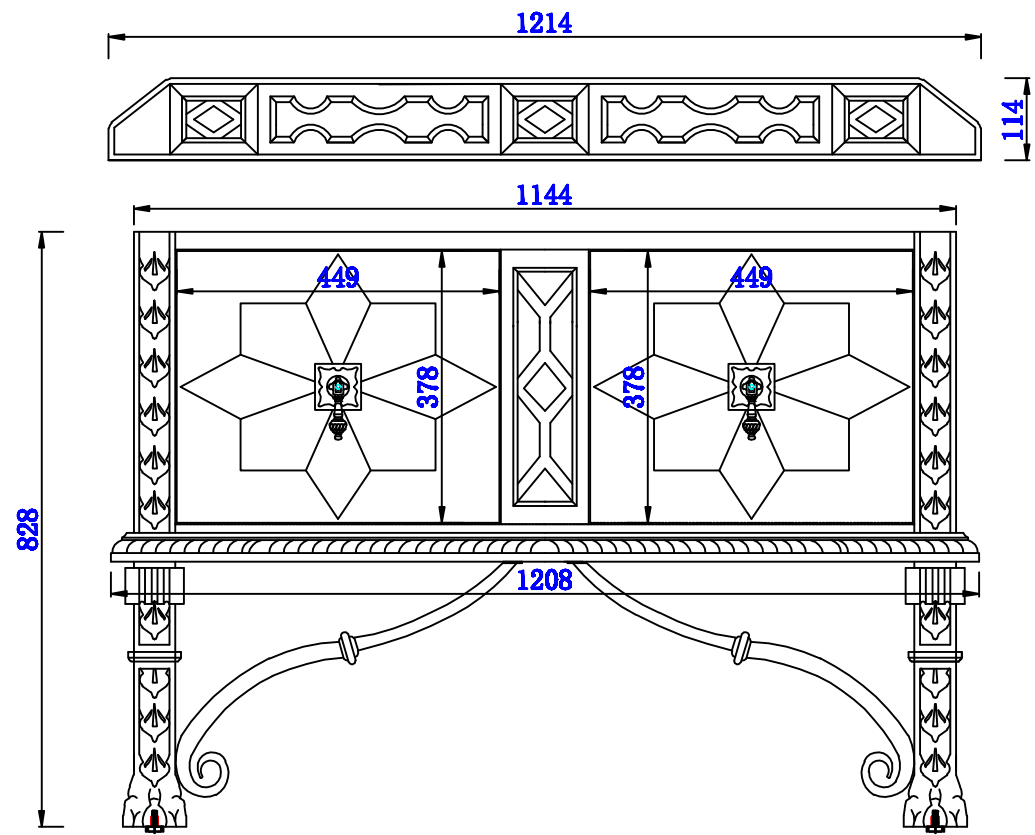
JAMES MARTIN



VANITIES

Balmoral 1220mm Cabinet

Diagrams with Dimensions
page 01 of 03



NOTE ONE: Countertops are not shown in these diagrams. (Cabinet Only)

NOTE TWO: Wood Backsplash (Shown) is designed for the molding detail to align with sinks in James Martin's Optional Countertops.

Customers' own countertops and sinks may align differently.

Please consult our website for Countertop Diagrams: www.jamesmartinvanities.com

1220mm

Item Number:
150-V48-ANW

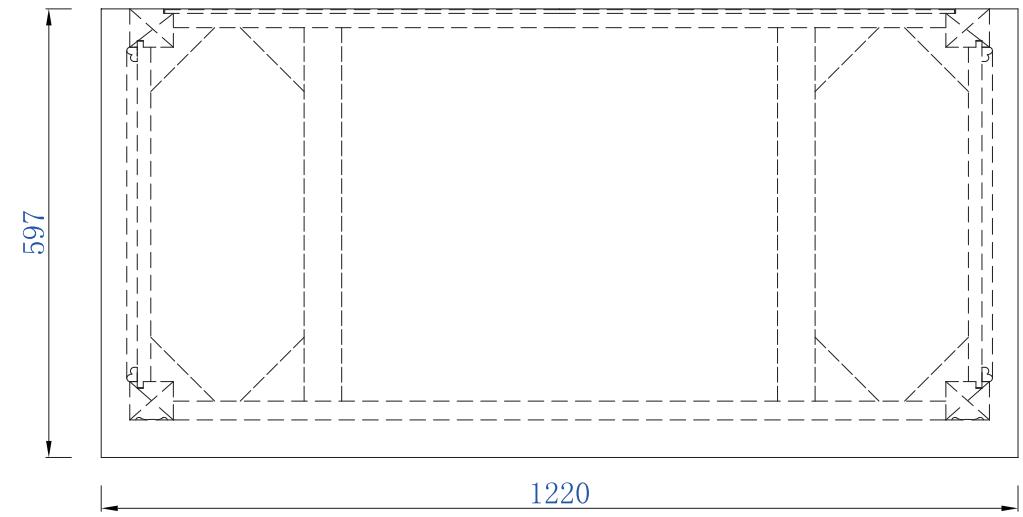
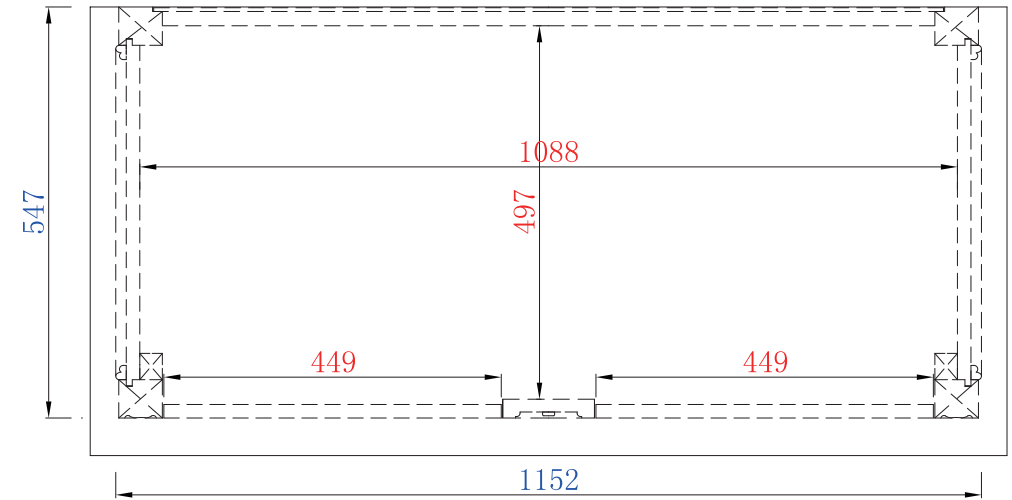
JAMES MARTIN



VANITIES

Balmoral 1220mm Cabinet

Diagrams with Dimensions
page 02 of 03



NOTE ONE: Countertops are not shown in these diagrams. (Cabinet Only)

1220mm

Item Number:
150-V48-ANW

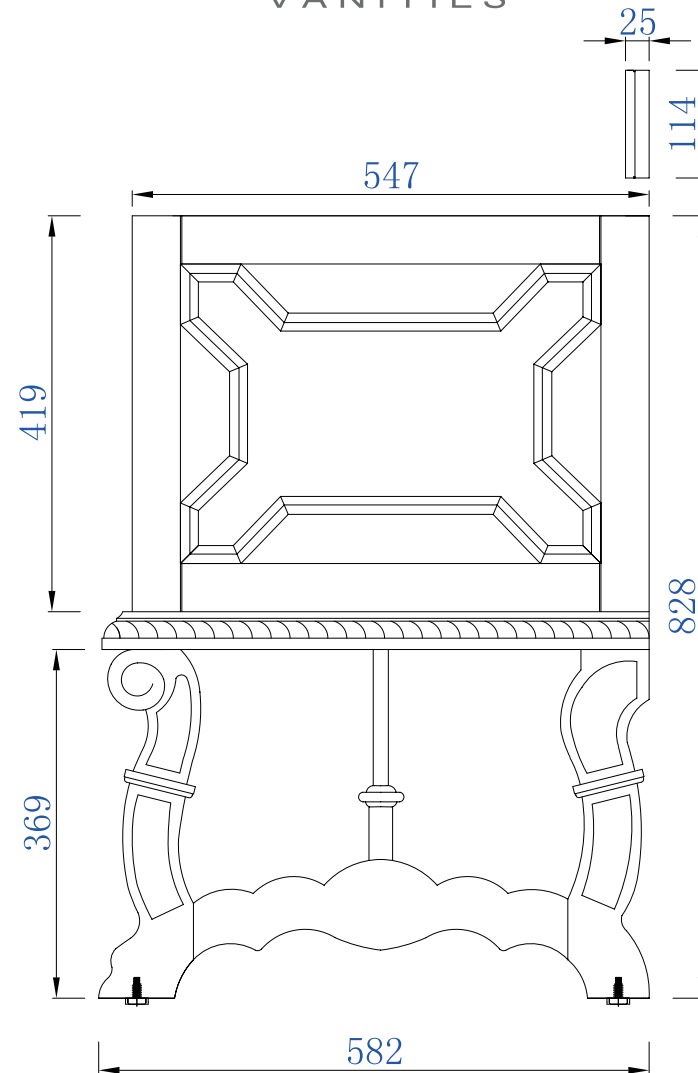
JAMES MARTIN



VANITIES

Balmoral 1220mm Cabinet

Diagrams with Dimensions
page 03 of 03



NOTE ONE: Countertops are not shown in these diagrams. (Cabinet Only)

NOTE TWO: Wood Backsplash (Shown) is designed for the molding detail to align with sinks in James Martin's Optional Countertops. Customers' own countertops and sinks may align differently.

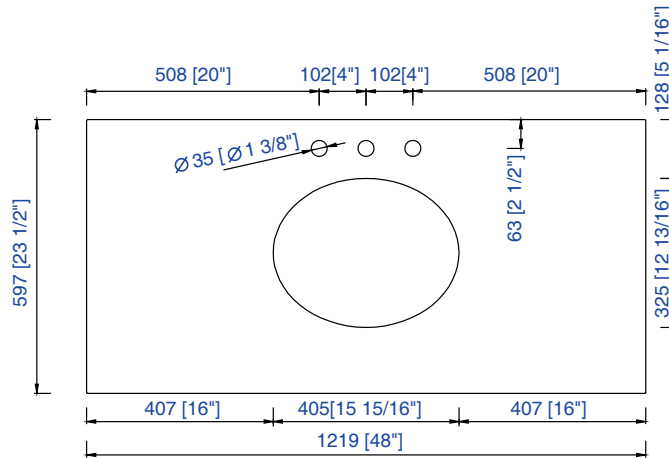
Please consult our website for Countertop Diagrams: www.jamesmartinvanities.com



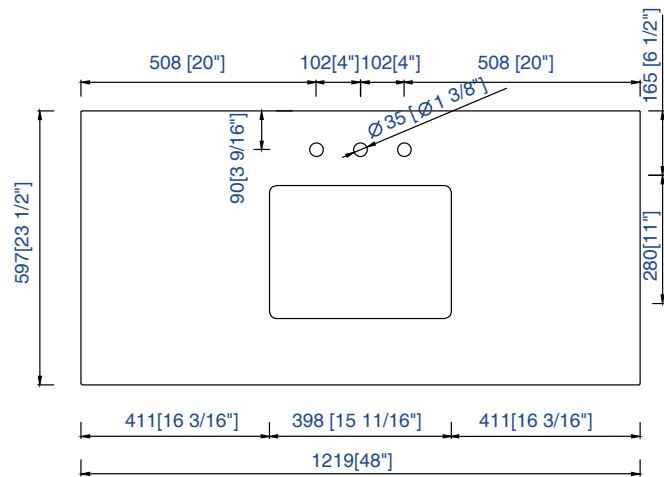
48" Vanity Top Spec Sheet

James Martin Vanities Company always recommends you consult and/or hire a professional contractor when installing your vanity cabinet and top.

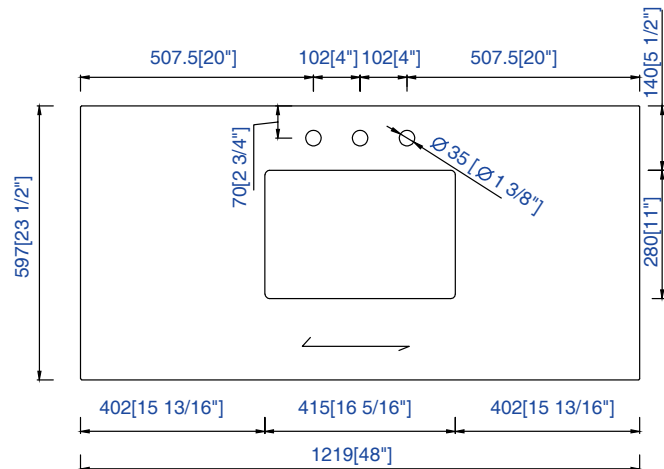
3cm/1.18"
Countertop



James Martin - Natural Stone Countertop Measurement Specification



James Martin - Natural Stone & Solid Surface Countertop Measurement Specification



James Martin - Quartz Countertop Measurement Specification