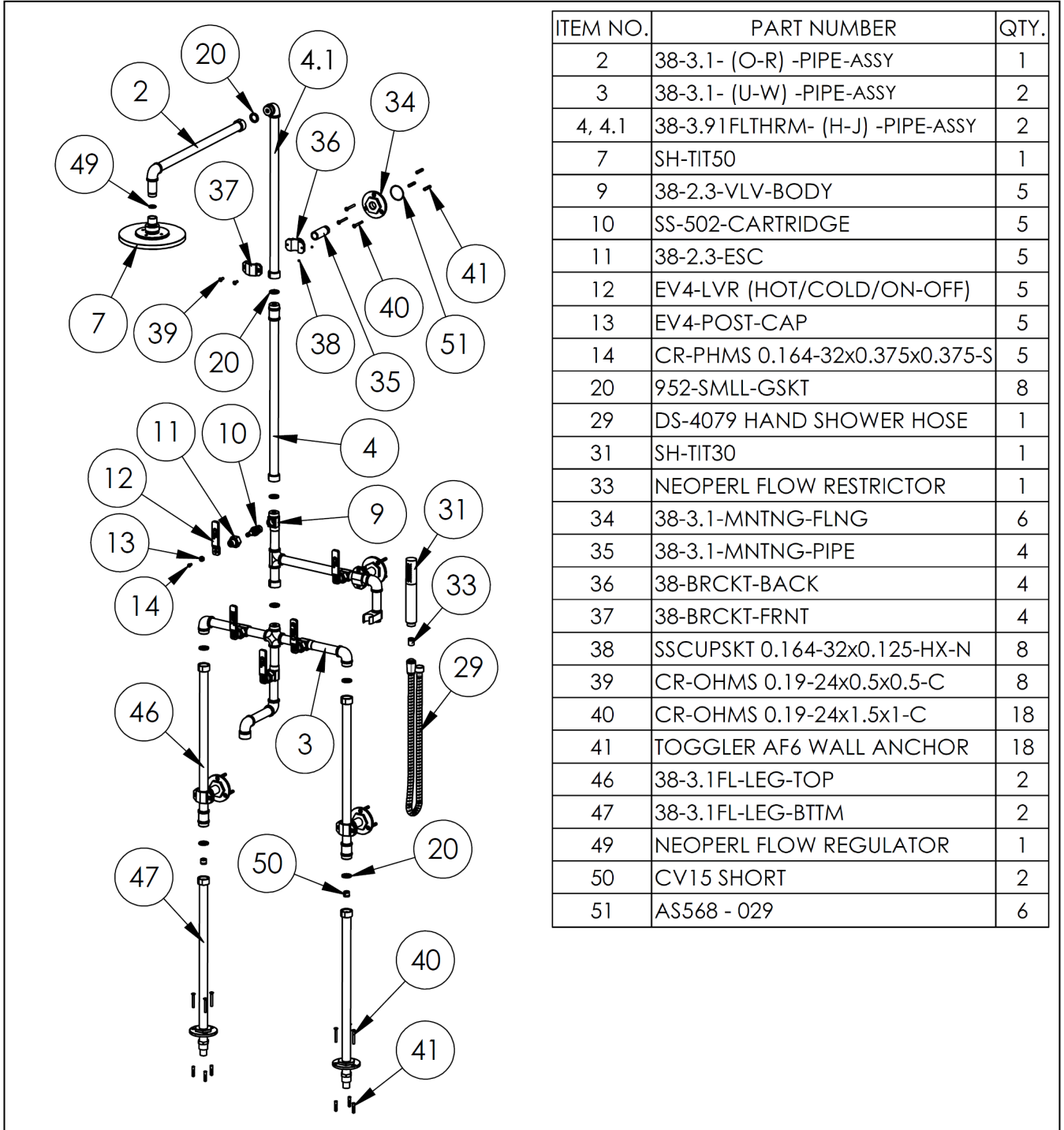
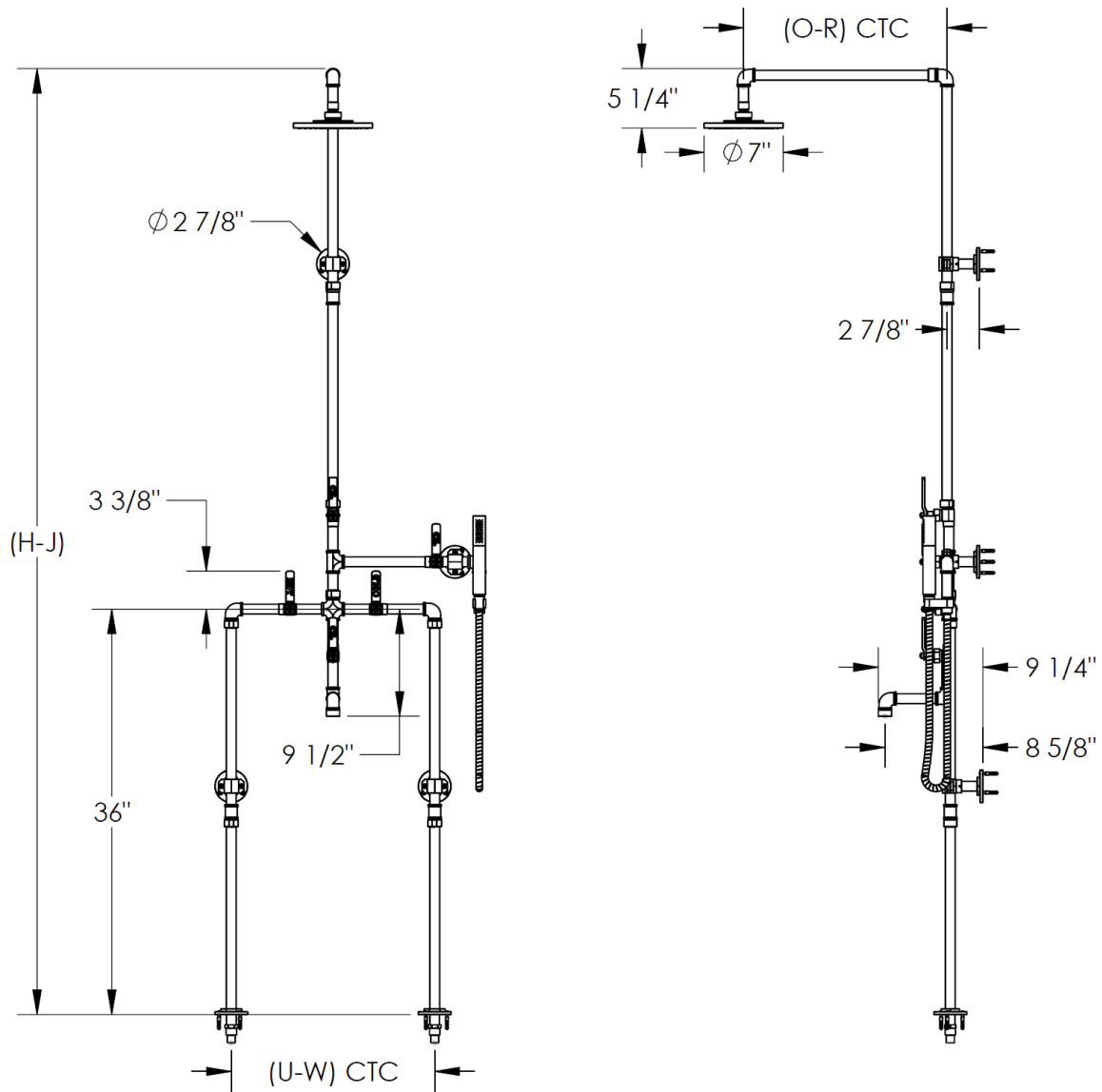


FEATURES

- Shower flow rate: 2 gpm
- Some systems may require a remote pressure balance valve
- Warranty:
 - Limited lifetime warranty (residential use)
 - One year (commercial use)
- Solid Brass Construction
- Standard finishes:
 - polished chrome
 - satin nickel
 - polished nickel
 - rustic brass



| ITEM NO. | PART NUMBER | QTY. |
|----------|---------------------------------|------|
| 2 | 38-3.1- (O-R) -PIPE-ASSY | 1 |
| 3 | 38-3.1- (U-W) -PIPE-ASSY | 2 |
| 4, 4.1 | 38-3.91FLTHRM- (H-J) -PIPE-ASSY | 2 |
| 7 | SH-TIT50 | 1 |
| 9 | 38-2.3-VLV-BODY | 5 |
| 10 | SS-502-CARTRIDGE | 5 |
| 11 | 38-2.3-ESC | 5 |
| 12 | EV4-LVR (HOT/COLD/ON-OFF) | 5 |
| 13 | EV4-POST-CAP | 5 |
| 14 | CR-PHMS 0.164-32x0.375x0.375-S | 5 |
| 20 | 952-SMLL-GSKT | 8 |
| 29 | DS-4079 HAND SHOWER HOSE | 1 |
| 31 | SH-TIT30 | 1 |
| 33 | NEOPERL FLOW RESTRICTOR | 1 |
| 34 | 38-3.1-MNTNG-FLNG | 6 |
| 35 | 38-3.1-MNTNG-PIPE | 4 |
| 36 | 38-BRCKT-BACK | 4 |
| 37 | 38-BRCKT-FRNT | 4 |
| 38 | SSCUPSKT 0.164-32x0.125-HX-N | 8 |
| 39 | CR-OHMS 0.19-24x0.5x0.5-C | 8 |
| 40 | CR-OHMS 0.19-24x1.5x1-C | 18 |
| 41 | TOGGLER AF6 WALL ANCHOR | 18 |
| 46 | 38-3.1FL-LEG-TOP | 2 |
| 47 | 38-3.1FL-LEG-BTTM | 2 |
| 49 | NEOPERL FLOW REGULATOR | 1 |
| 50 | CV15 SHORT | 2 |
| 51 | AS568 - 029 | 6 |



H=84"
I=90"
J=96"

O=12"
P=14"
Q=16"
R=18"

U=8"
V=12"
W=18"

IMPORTANT INSTALLATION INFORMATION

- USE TEFLON TAPE OR PIPE SEALANT FOR THREADED CONNECTIONS
- DO NOT USE PLUMBER'S PUTTY ON ANY OF THE BRASS COMPONENTS
This will cause the finish to tarnish and void the warranty. A non-corrosive Alkoxy Silicone is recommended.
- DURING SWEATING OF LINES DO NOT OVERHEAT CASTING
Overheating may cause damage to internal mechanism
- COPPER ADAPTORS MAY BE REQUIRED TO COMPLETE YOUR INSTALLATION

For technical support, please call 718-257-2800