

314-6.75-CRY5

Thermostatic Shower/ Hand Shower Kit

Include: SS-403OCAF Shower Arm and Flange, SH-OCT50 Shower Head, PB-6524-314 Positioning Bar, ELB-6001 Wall Elbow, SH-FRS20 Hand Shower, DS-4079 Hand Shower Hose and SS-THVD2 Thermostatic Valve



Meets the applicable requirements of ASME A112.18.1-2005/CSA B125.1-05, entitled "Plumbing Supply Fittings"

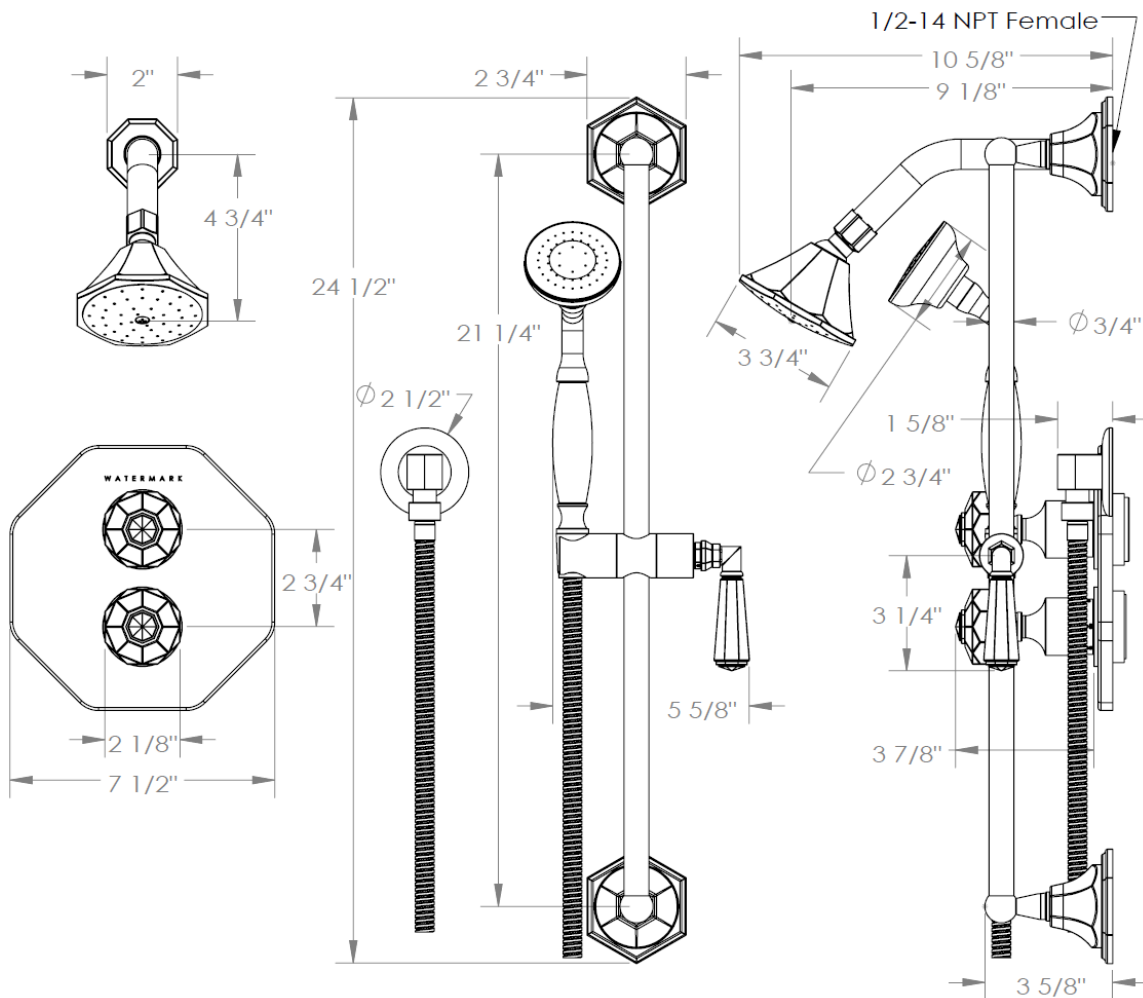
WATERMARK DESIGNS 3/12/2015

350 Dewitt Ave Brooklyn NY 11207 USA T 718 257 2800 F 718 257 2144 info@watermark-designs.com

314-6.75-CRY5

Thermostatic Shower/ Hand Shower Kit

Include: SS-403OCAF Shower Arm and Flange, SH-OCT50 Shower Head, PB-6524-314 Positioning Bar, ELB-6001 Wall Elbow, SH-FRS20 Hand Shower, DS-4079 Hand Shower Hose and SS-THVD2 Thermostatic Valve



Meets the applicable requirements of ASME A112.18.1-2005/CSA B125.1-05, entitled "Plumbing Supply Fittings"

WATERMARK DESIGNS 3/12/2015

350 Dewitt Ave Brooklyn NY 11207 USA T 718 257 2800 F 718 257 2144 info@watermark-designs.com