

## 203-6.75-T4

### Thermostatic Shower/ Hand Shower Kit

Includes: SS-403SQAF Shower Arm and Flange, SH-803 Shower Head, PB-6524-203 Positioning Bar, , SH-LFT30 Hand Shower, DS-4079 Hand Shower Hose and SH-THVD3 Thermostatic Valve



Meets the applicable requirements of ASME A112.18.1-2005/CSA B125.1-05, entitled "Plumbing Supply Fittings"

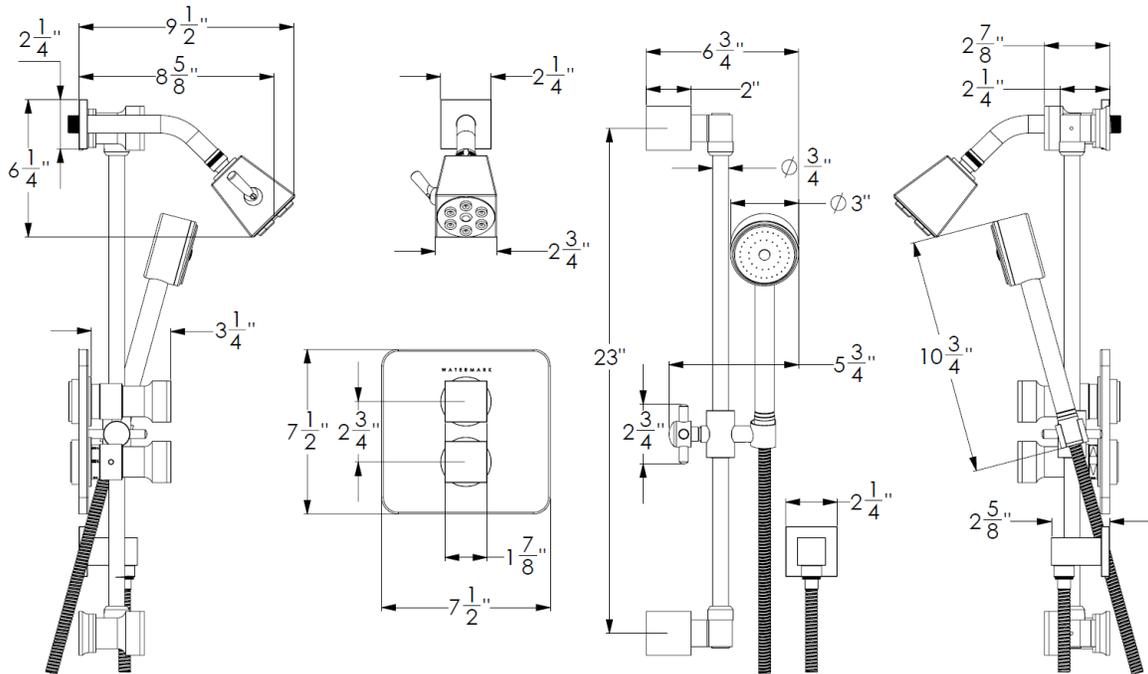
**WATERMARK DESIGNS 11/25/2014**

350 Dewitt Ave Brooklyn NY 11207 USA T 718 257 2800 F 718 257 2144 info@watermark-designs.com

## 203-6.75-T4

### Thermostatic Shower/ Hand Shower Kit

Includes: SS-403SQUAF Shower Arm and Flange, SH-803 Shower Head, PB-6524-203 Positioning Bar, , SH-LFT30 Hand Shower, DS-4079 Hand Shower Hose and SH-THVD3 Thermostatic Valve



Meets the applicable requirements of ASME A112.18.1-2005/CSA B125.1-05, entitled "Plumbing Supply Fittings"

**WATERMARK** DESIGNS 11/25/2014

350 Dewitt Ave Brooklyn NY 11207 USA T 718 257 2800 F 718 257 2144 info@watermark-designs.com