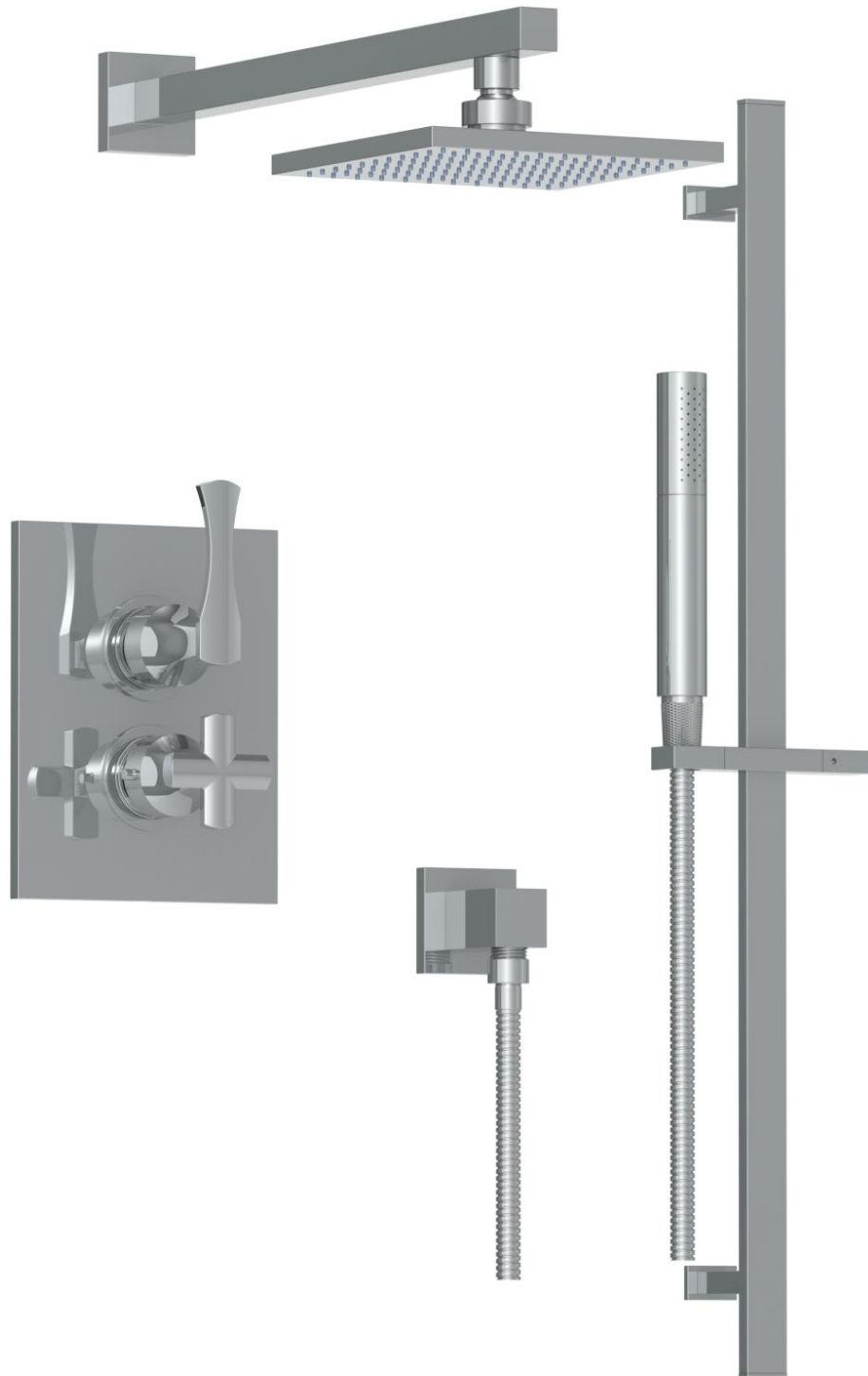


125-6.4-BG4-BG5

Thermostatic Shower and Hand Shower Set

Includes: SS-SQ70AF Shower Arm and Flange, SH-SQ050 Shower Head, PB-9524 Positioning Bar, ELB-SQ2 Square Wall Elbow, SH-TIT30 Hand Shower, DS-4079 Hand Shower Hose and SH-THVD2 Thermostatic Valve



Meets the applicable requirements of ASME A112.18.1-2005/CSA B125.1-05, entitled "Plumbing Supply Fittings"

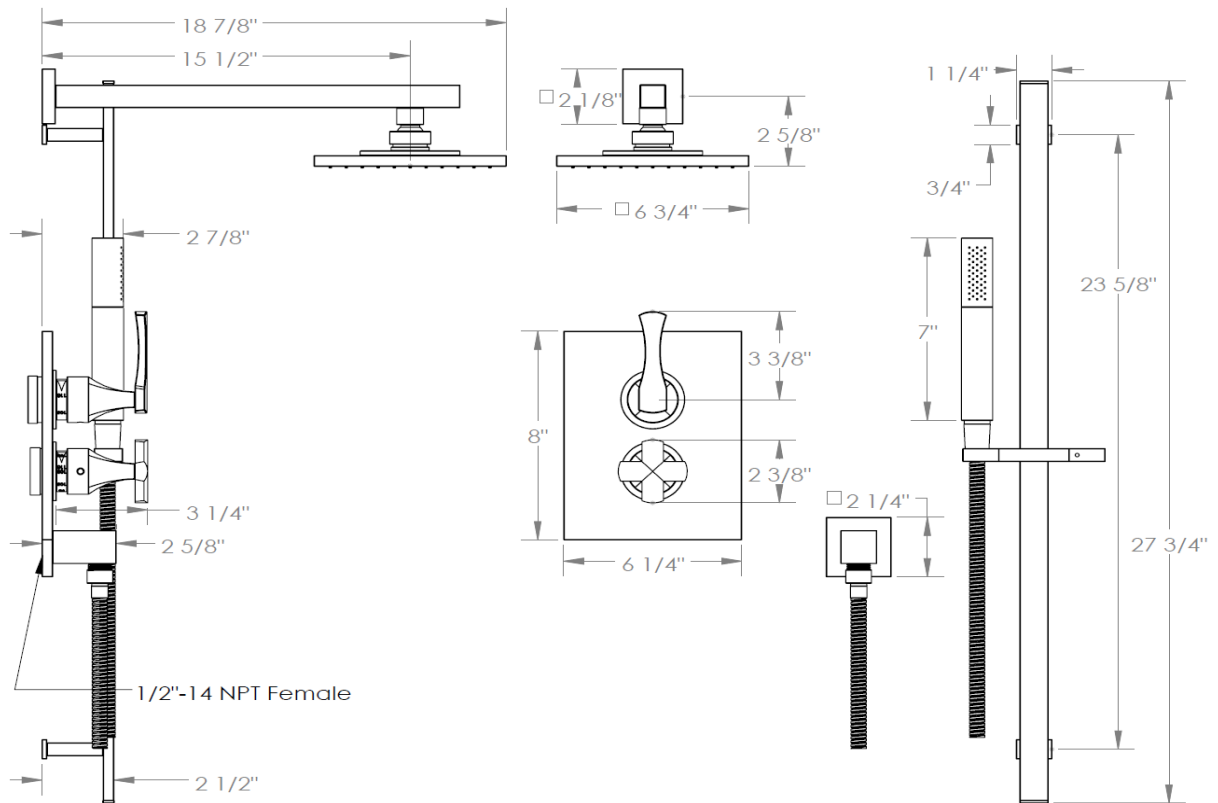
WATERMARK DESIGNS 12/8/2014

350 Dewitt Ave Brooklyn NY 11207 USA T 718 257 2800 F 718 257 2144 info@watermark-designs.com

125-6.4-BG4-BG5

Thermostatic Shower and Hand Shower Set

Includes: SS-SQ70AF Shower Arm and Flange, SH-SQ050 Shower Head, PB-9524 Positioning Bar, ELB-SQ2 Square Wall Elbow, SH-TIT30 Hand Shower, DS-4079 Hand Shower Hose and SH-THVD2 Thermostatic Valve



Meets the applicable requirements of ASME A112.18.1-2005/CSA B125.1-05, entitled "Plumbing Supply Fittings"

WATERMARK DESIGNS 12/8/2014

350 Dewitt Ave Brooklyn NY 11207 USA T 718 257 2800 F 718 257 2144 info@watermark-designs.com