

# Sublime 66

Product code : **SU6634**

Draft revision : **20170320140000**

External dimensions : **66" x 34" x 21"** [167,6 cm x 86,4 cm x 53,3 cm]

Series : **deck mount**

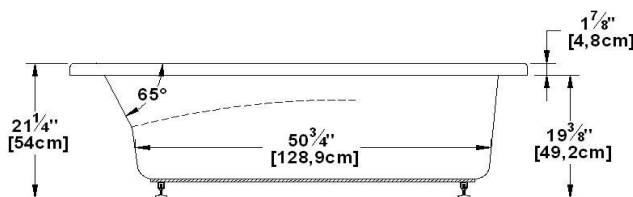
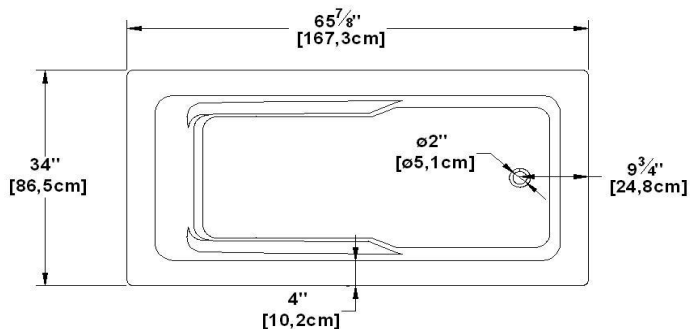
Seats : **1**

Lumbar support : **yes**

Arm rests : **yes**

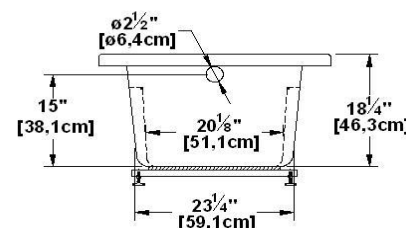
Low-profile available : **yes**

## Draft and specs



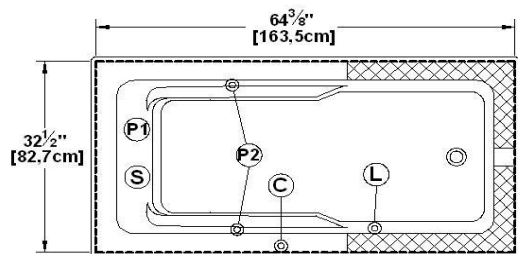
Specifications	
Capacity :	<b>46 IMP Gal. / 60,0 US Gal. / 209,1 liters</b>
AeroMassage™ :	<b>48 Easy Clean™ air jets</b>
Super AeroMassage™ :	<b>AeroMassage™ + 12 Easy Clean™ air jets</b>
Dynamic Turbo™ :	<b>4 Confort Pulse jets / 4 Confort Swirl jets</b>
Comfort Air™ :	<b>48 Easy Clean™ air jets</b>
Characteristics :	<b>n/a</b>

Remarks
*all measures have a precision of ± 1/4" (0,63cm)
*internal dimensions taken at 4" (10cm) from bath bottom
*capacity is measured by filling the soaker to 1-1/2" under the overflow



**WARNING :** If this bath is multiple ordered nested, its height will be about 1-1/2" (1 inch and a half) lower and will not have adjustable feet.

## Options and installation



accessories and decorative lines positions are approximative

Additional(s) note(s) :

**Keypad supplied but not installed when ordered with tile flanges or remote control.**

Legend			
(S)	Blower	(L)	Chromotherapy light
(P1)	Pump	(P2)	Grab bar
(C)	Keypad		
(Hatched Area)	Recommended faucets drilling location*		
(Dashed Line)	Deck cut-out line		

Available models	
Model	Availability
Soaker alone	✓
Comfort Air™	✓
AeroMassage™	✓
Super AeroMassage™	✓
Dynamic Turbo™ (not available in the U.S.)	✓
Dynamic Turbo™ + AeroMassage™	✓
Dynamic Turbo™ + Super AeroMassage™	✓

Available recommended options
Front skirt : JA66
Recommended drain : WOCO14 (chrome finish)
Tile flanges : available
Remote control** : available
**Floating

\*It is possible to install the faucets elsewhere on the product. The installer must verify that there are no piping or wires before drilling.

**IMPORTANT NOTE :** Specifications, dimensions and models are subject to change.

Visit our website <http://www.oceania-attitude.com> to access up-to-date dimensions and informations. In all cases, information on the website is the most up-to-date.

Dimensions may vary slightly. To ensure proper fit, measurements must be taken on the product directly.

### Head office

591, avenue des Entreprises  
Thetford Mines, Quebec  
CANADA G6H 4B2

### Phone numbers

No-charge : 1-877-332-4224  
Fax : 1-866-460-4334

### Internet

Web : <http://www.oceania-attitude.com>  
Email : [info@oceaniabaths.com](mailto:info@oceaniabaths.com)