

38-6.71FLTHRM-__-__-__-EV4

Floor Mounted Thermostatic Exposed Shower Set

Note: Some building codes may require a remote pressure balance valve for anti-scald, such as the SS-PB50.

H=84"
I=90"
J=96"

O=12"
P=14"
Q=16"
R=18"

U=8"
V=12"
W=18"



Meets the applicable requirements of ASME A112.18.1-2005/CSA B125.1-05, entitled "Plumbing Supply Fittings"

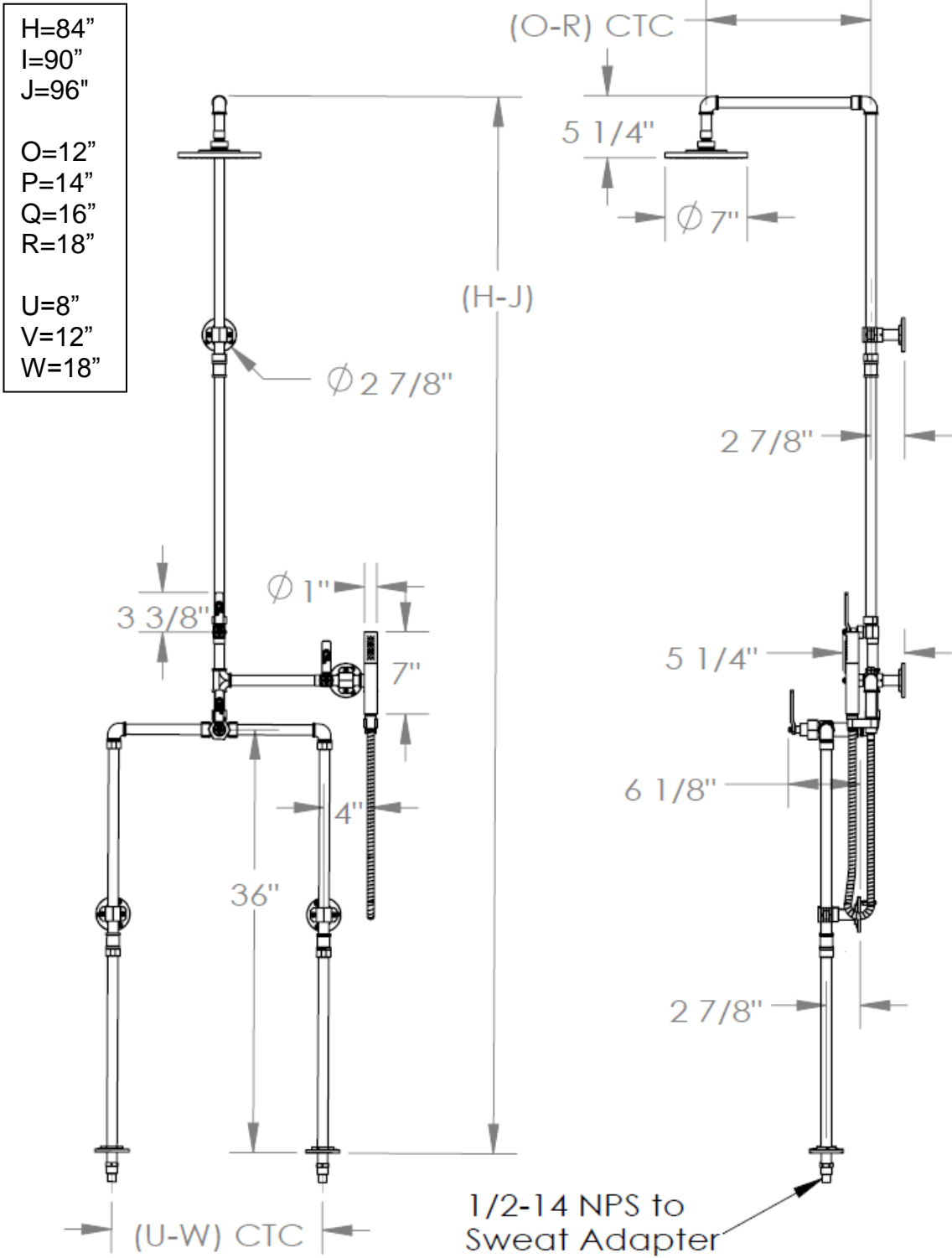
WATERMARK DESIGNS 12/1/2014

350 Dewitt Ave Brooklyn NY 11207 USA T 718 257 2800 F 718 257 2144 info@watermark-designs.com

38-6.71FLTHRM-_-_-_-EV4

Floor Mounted Thermostatic Exposed Shower Set

Note: Some building codes may require a remote pressure balance valve for anti-scald, such as the SS-PB50.



Meets the applicable requirements of ASME A112.18.1-2005/CSA B125.1-05, entitled "Plumbing Supply Fittings"