

38-6.1FL-_-_-EV4

Exposed Floor Shower System

Note: Some building codes may require a remote pressure balance valve for anti-scald, such as the SS-PB50.

- H=84"
- I=90"
- J=96"

- O=12"
- P=14"
- Q=16"
- R=18"

- U=8"
- V=12"
- W=18"

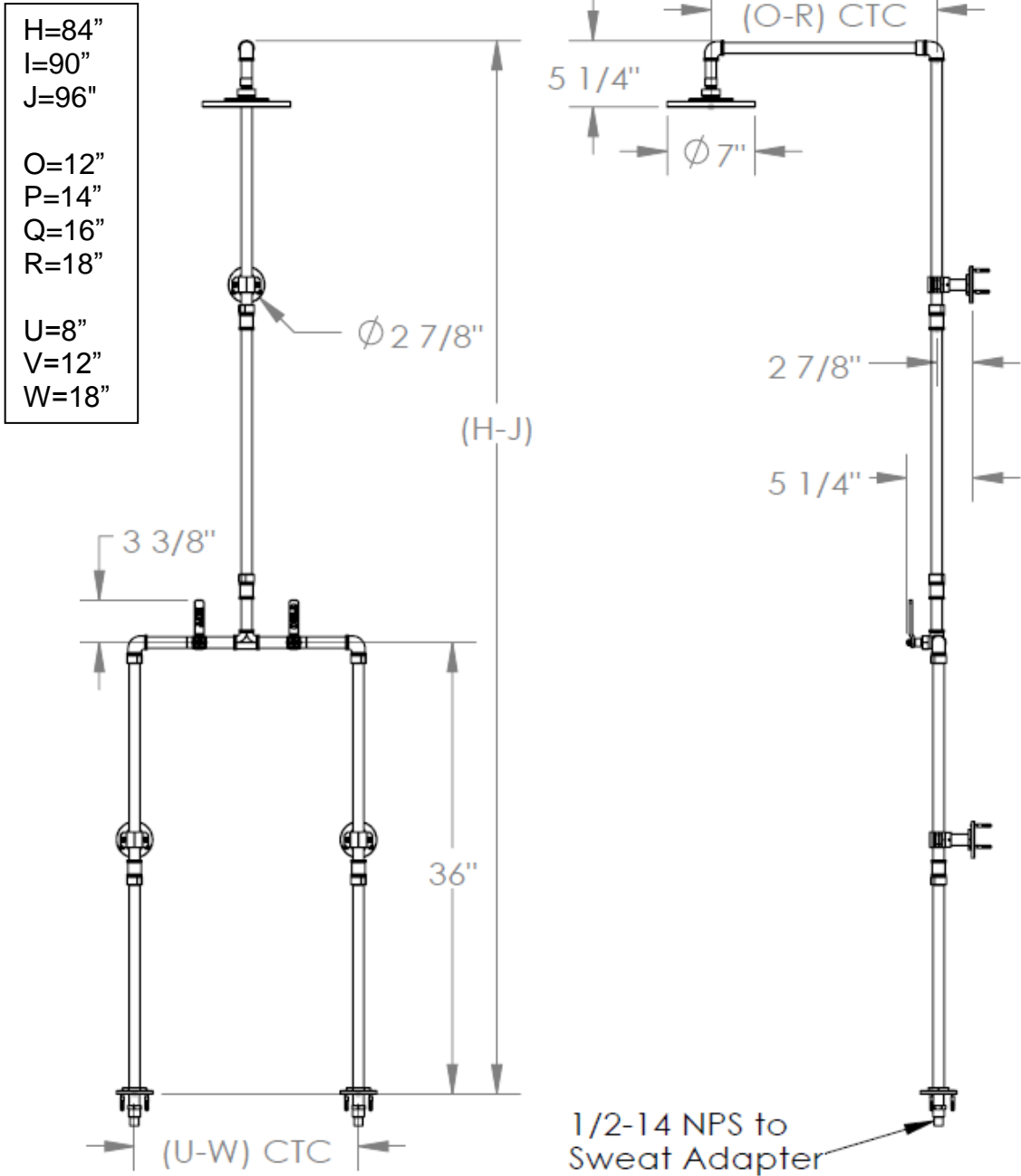


Meets the applicable requirements of ASME A112.18.1-2005/CSA B125.1-05, entitled "Plumbing Supply Fittings"

38-6.1FL-_-_-EV4

Exposed Floor Shower System

Note: Some building codes may require a remote pressure balance valve for anti-scald, such as the SS-PB50.



Meets the applicable requirements of ASME A112.18.1-2005/CSA B125.1-05, entitled "Plumbing Supply Fittings"

WATERMARK DESIGNS 11/14/2014

350 Dewitt Ave Brooklyn NY 11207 USA T 718 257 2800 F 718 257 2144 info@watermark-designs.com