

35-6.75-ED2

Thermostatic Shower/ Hand Shower Kit

Includes: SS-SQ70AF Square Shower Arm and Flange, PB-9524 Positioning Bar, SH-ED30 Handshower, ELB-SQ1 Square Wall Elbow, SH-SQ050 Shower Head, SS-THVD2 Thermostatic Valve



Meets the applicable requirements of ASME A112.18.1-2005/CSA B125.1-05, entitled "Plumbing Supply Fittings"

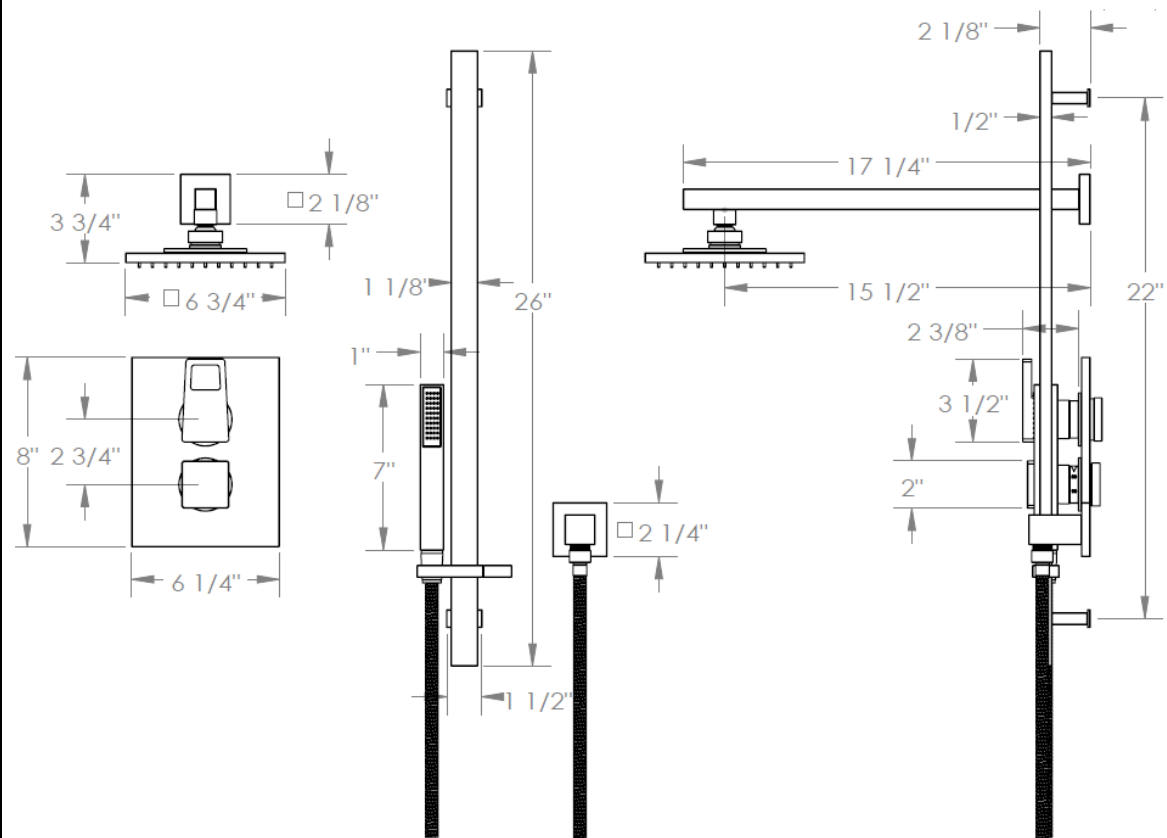
WATERMARK DESIGNS 11/7/2014

350 Dewitt Ave Brooklyn NY 11207 USA T 718 257 2800 F 718 257 2144 info@watermark-designs.com

35-6.75-ED2

Thermostatic Shower/ Hand Shower Kit

Includes: SS-SQ70AF Square Shower Arm and Flange, PB-9524 Positioning Bar, SH-ED30 Handshower, ELB-SQ1 Square Wall Elbow, SH-SQ050 Shower Head, SS-THVD2 Thermostatic Valve



Meets the applicable requirements of ASME A112.18.1-2005/CSA B125.1-05, entitled "Plumbing Supply Fittings"

WATERMARK DESIGNS 11/7/2014

350 Dewitt Ave Brooklyn NY 11207 USA T 718 257 2800 F 718 257 2144 info@watermark-designs.com