

34-6.75-H4-B9M

Thermostatic Shower/Hand Shower System

Includes SH-503 shower head, SS-403AF shower arm and flange, SH-S525-B hand shower, PB-6524-34 positioning bar, ELB-8001 wall elbow, DS-4079 hand shower hose and SS-THVD2 thermostatic valve with diverter.



Meets the applicable requirements of ASME A112.18.1-2005/CSA B125.1-05, entitled "Plumbing Supply Fittings"

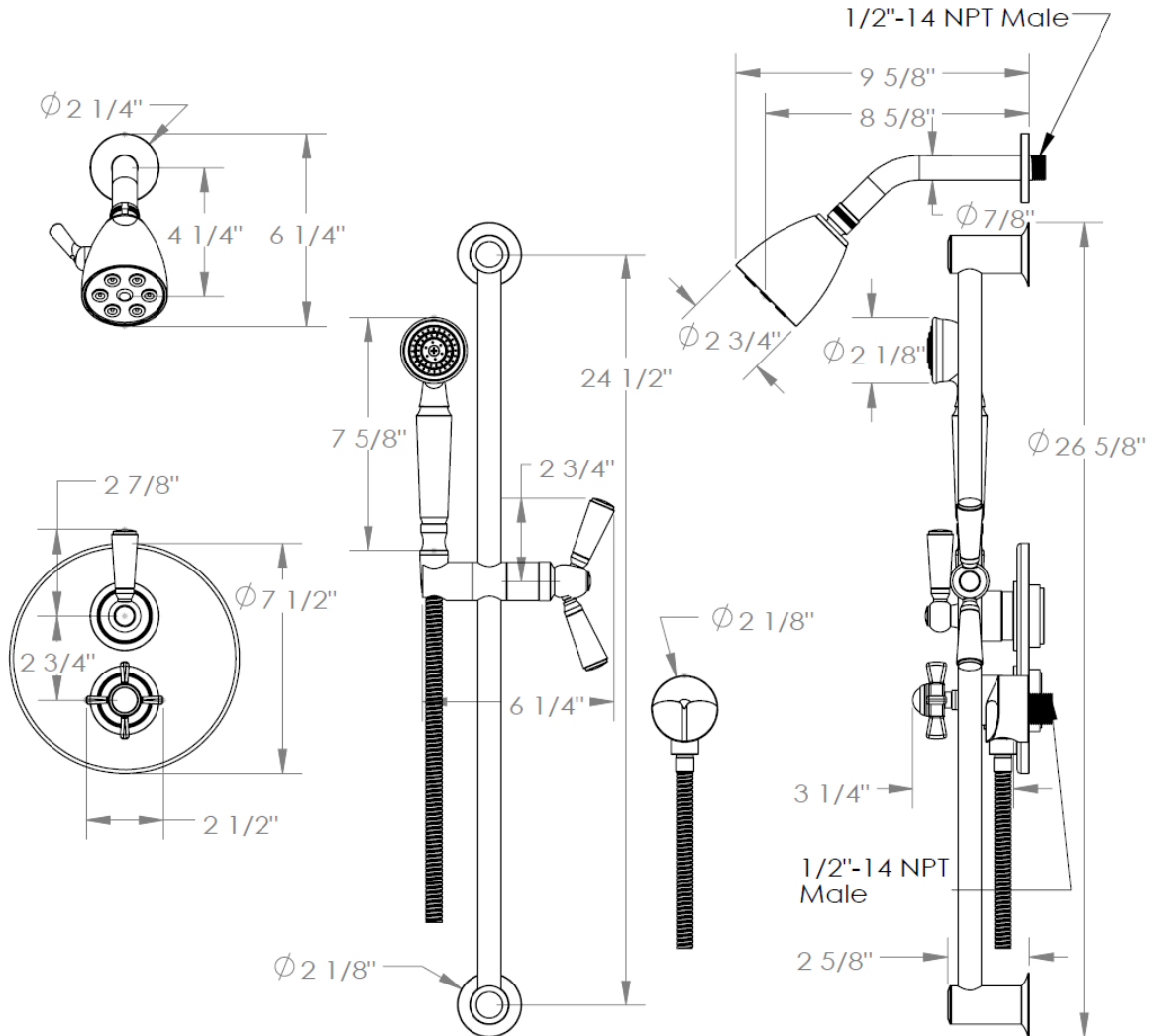
WATERMARK DESIGNS 12/8/2014

350 Dewitt Ave Brooklyn NY 11207 USA T 718 257 2800 F 718 257 2144 info@watermark-designs.com

34-6.75-H4-B9M

Thermostatic Shower/Hand Shower System

Includes SH-503 shower head, SS-403AF shower arm and flange, SH-S525-B hand shower, PB-6524-34 positioning bar, ELB-8001 wall elbow, DS-4079 hand shower hose and SS-THVD2 thermostatic valve with diverter.



Meets the applicable requirements of ASME A112.18.1-2005/CSA B125.1-05, entitled "Plumbing Supply Fittings"

WATERMARK DESIGNS 12/8/2014

350 Dewitt Ave Brooklyn NY 11207 USA T 718 257 2800 F 718 257 2144 info@watermark-designs.com