

30-6.75-TR24-TR25

Thermostatic Shower/ Hand Shower Kit

Includes: SS-403TRAF Shower Arm and Flange, SH-503 Shower Head, PB-6524-30 Positioning Bar, ELB-TR01 Wall Elbow , SH-S1000-B-3 Hand Shower, DS-4079 Hand Shower Hose and SH-THVD2 Thermostatic Valve



Meets the applicable requirements of ASME A112.18.1-2005/CSA B125.1-05, entitled "Plumbing Supply Fittings"

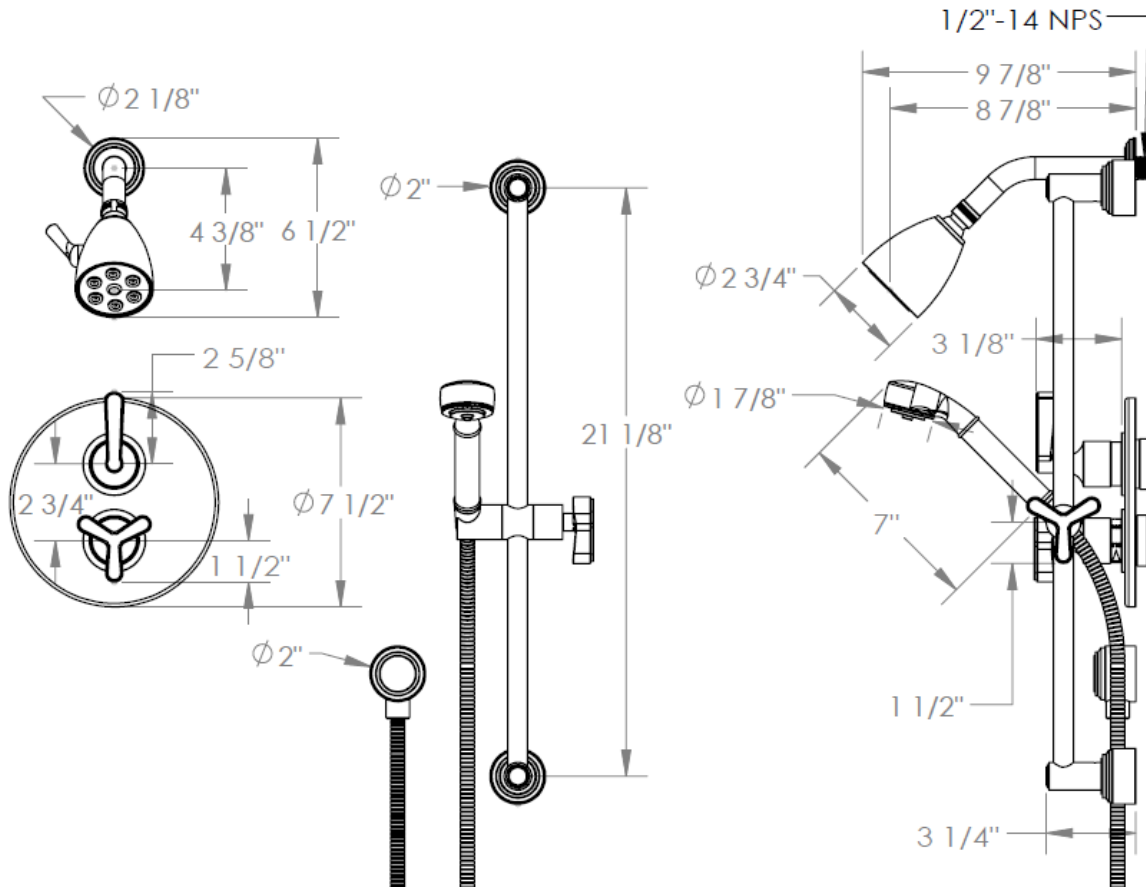
WATERMARK DESIGNS 5/15/2015

350 Dewitt Ave Brooklyn NY 11207 USA T 718 257 2800 F 718 257 2144 info@watermark-designs.com

30-6.75-TR24-TR25

Thermostatic Shower/ Hand Shower Kit

Includes: SS-403TRAF Shower Arm and Flange, SH-503 Shower Head, PB-6524-30 Positioning Bar, ELB- TR01 Wall Elbow , SH-S1000-B-3 Hand Shower, DS-4079 Hand Shower Hose and SH-THVD2 Thermostatic Valve



Meets the applicable requirements of ASME A112.18.1-2005/CSA B125.1-05, entitled "Plumbing Supply Fittings"

WATERMARK DESIGNS 5/15/2015

350 Dewitt Ave Brooklyn NY 11207 USA T 718 257 2800 F 718 257 2144 info@watermark-designs.com