

**25-6.75-IN16**

½" Thermostatic Shower/Hand Shower

Include: SS-URB70AF Shower Arm and Flange, SH-URB50 Shower Head, PB-6524 Positioning Bar, ELB-8001 Wall Elbow, SH-URB30 Hand Shower, DS-4079 Hand Shower Hose and SS-THVD2 Thermostatic Valve



Meets the applicable requirements of ASME A112.18.1-2005/CSA B125.1-05, entitled "Plumbing Supply Fittings"

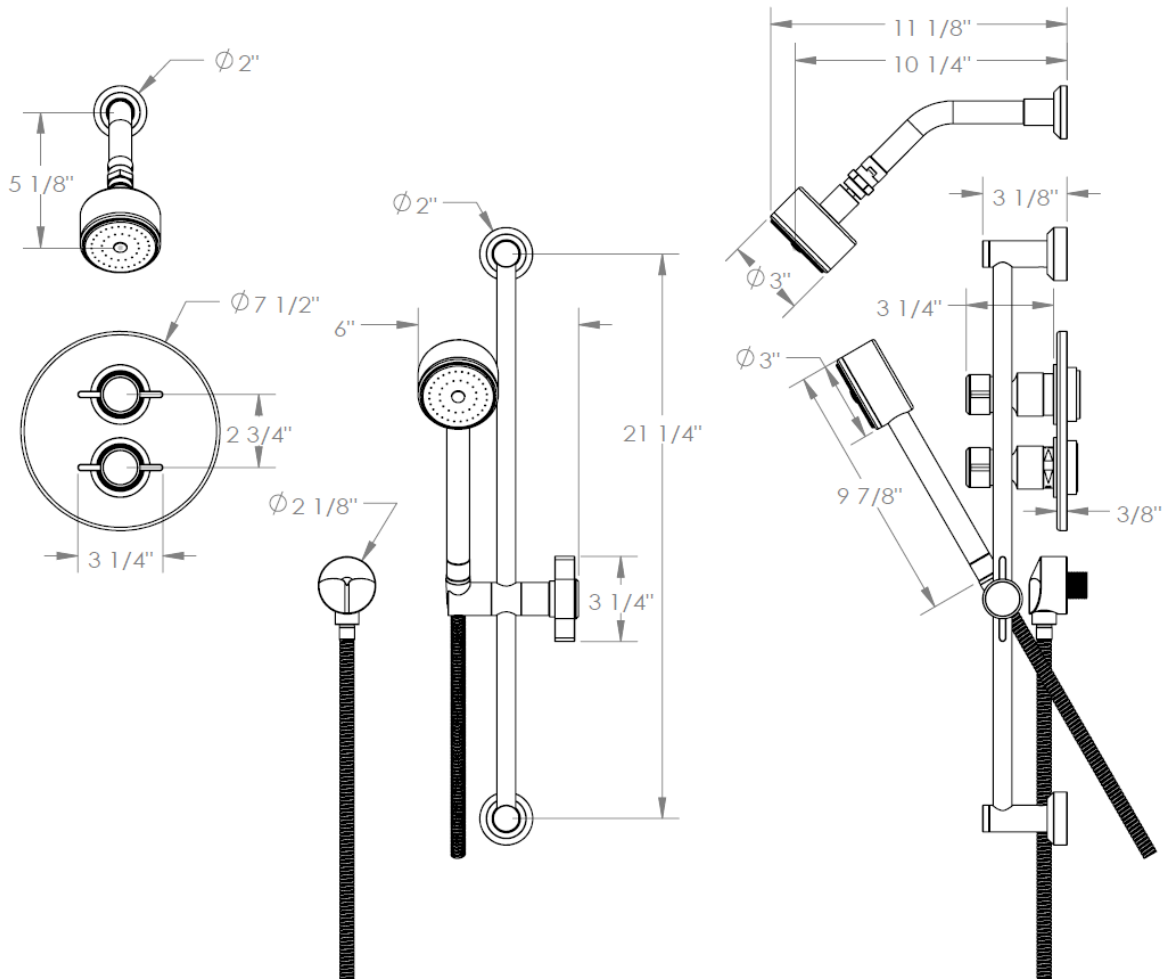
**WATERMARK DESIGNS 10/27/2014**

350 Dewitt Ave Brooklyn NY 11207 USA T 718 257 2800 F 718 257 2144 info@watermark-designs.com

**25-6.75-IN16**

**1/2" Thermostatic Shower/Hand Shower**

Include: SS-URB70AF Shower Arm and Flange, SH-URB50 Shower Head, PB-6524 Positioning Bar, ELB-8001 Wall Elbow, SH-URB30 Hand Shower, DS-4079 Hand Shower Hose and SS-THVD2 Thermostatic Valve



Meets the applicable requirements of ASME A112.18.1-2005/CSA B125.1-05, entitled "Plumbing Supply Fittings"

**WATERMARK DESIGNS 10/27/2014**

350 Dewitt Ave Brooklyn NY 11207 USA T 718 257 2800 F 718 257 2144 info@watermark-designs.com