

26-6.75-V1-V2

Thermostatic Shower and Hand Shower Set

Includes SS-PRE70AF Shower Arm and Flange, SH-TIT50 Shower Head, PB-6524-26-V2 Positioning Bar, ELB-8001 Wall Elbow, SH-LFT30 Hand Shower, DS-4079 Hand Shower Hose and SH-THVD2 Thermostatic Valve



Meets the applicable requirements of ASME A112.18.1-2005/CSA B125.1-05, entitled "Plumbing Supply Fittings"

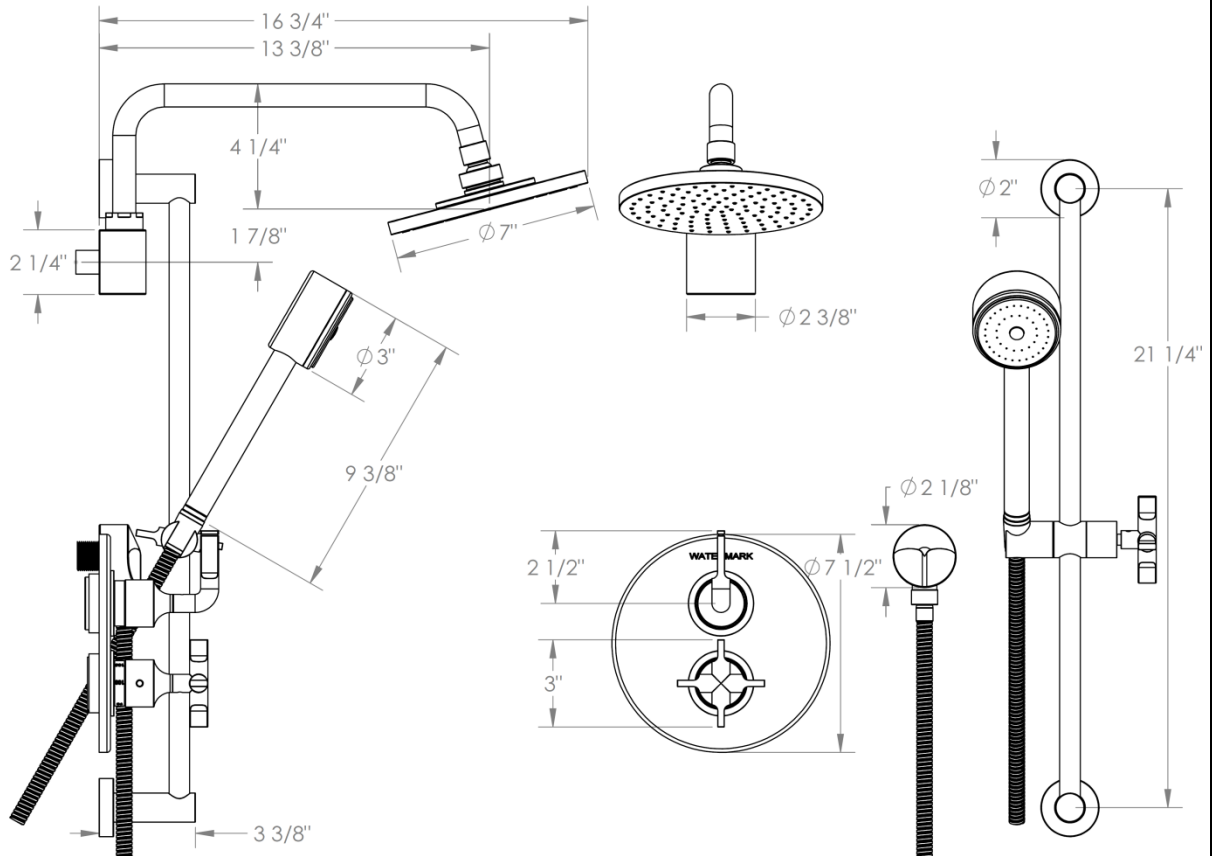
WATERMARK DESIGNS 10/20/2014

350 Dewitt Ave Brooklyn NY 11207 USA T 718 257 2800 F 718 257 2144 info@watermark-designs.com

26-6.75-V1-V2

Thermostatic Shower and Hand Shower Set

Includes SS-PRE70AF Shower Arm and Flange, SH-TIT50 Shower Head, PB-6524-26-V2 Positioning Bar, ELB-8001 Wall Elbow, SH-LFT30 Hand Shower, DS-4079 Hand Shower Hose and SH-THVD2 Thermostatic Valve



Meets the applicable requirements of ASME A112.18.1-2005/CSA B125.1-05, entitled "Plumbing Supply Fittings"

WATERMARK DESIGNS 10/20/2014

350 Dewitt Ave Brooklyn NY 11207 USA T 718 257 2800 F 718 257 2144 info@watermark-designs.com