

24-3.9-L5

Thermostatic Tub/ Shower/ Hand Shower Kit

Includes: SS-LFT50 Shower Arm and Flange, PB-6524 Positioning Bar, SH-LFT30 Handshower, ELB-8001 Wall Elbow, SH-SQ050 Shower Head, SS-THVD3 Thermostatic Valve



Meets the applicable requirements of ASME A112.18.1-2005/CSA B125.1-05, entitled "Plumbing Supply Fittings"

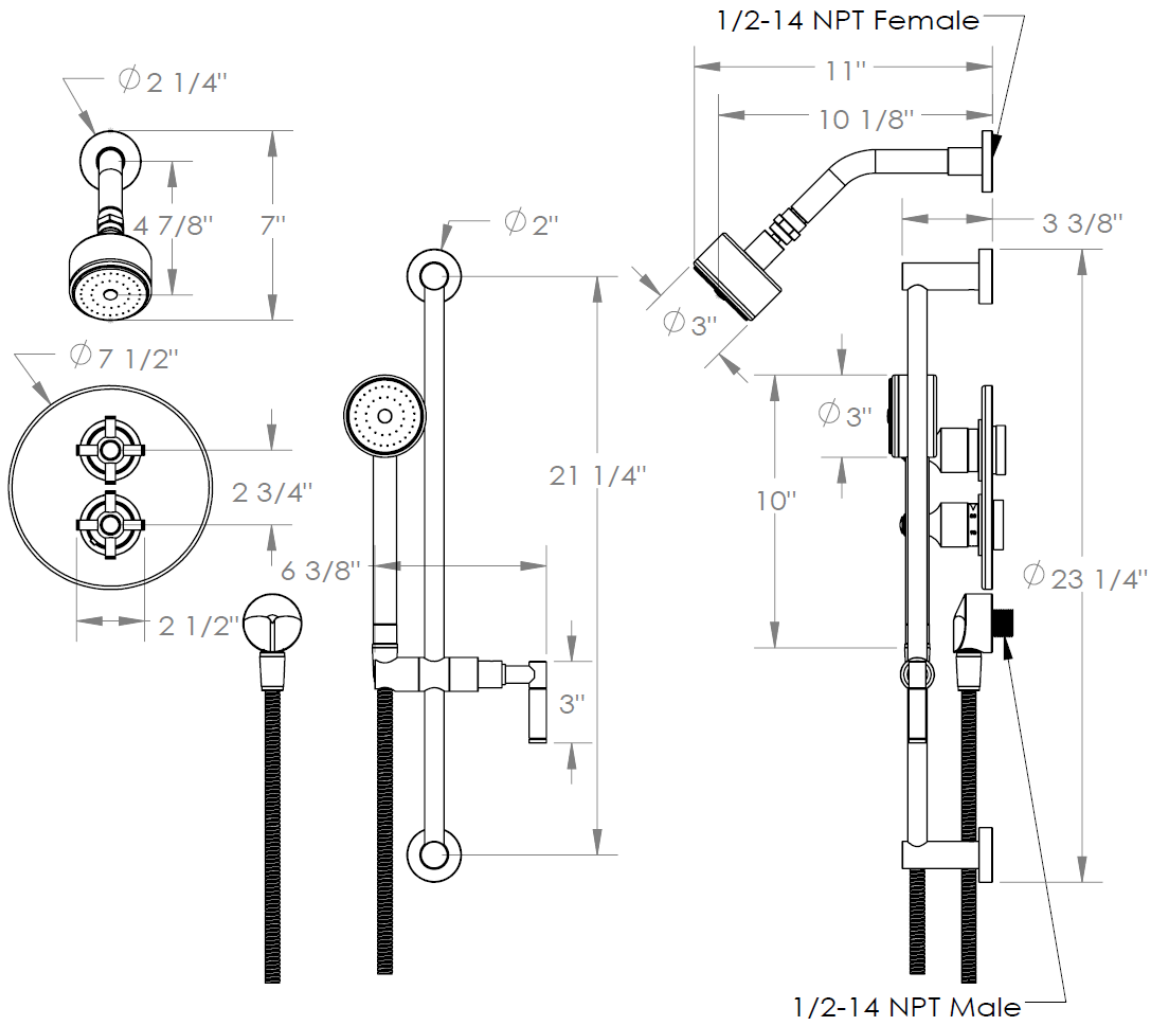
WATERMARK DESIGNS 3/12/2015

350 Dewitt Ave Brooklyn NY 11207 USA T 718 257 2800 F 718 257 2144 info@watermark-designs.com

24-3.9-L5

Thermostatic Tub/ Shower/ Hand Shower Kit

Includes: SS-LFT50 Shower Arm and Flange, PB-6524 Positioning Bar, SH-LFT30 Handshower, ELB-8001 Wall Elbow, SH-SQ050 Shower Head, SS-THVD3 Thermostatic Valve



Meets the applicable requirements of ASME A112.18.1-2005/CSA B125.1-05, entitled "Plumbing Supply Fittings"

WATERMARK DESIGNS 3/12/2015

350 Dewitt Ave Brooklyn NY 11207 USA T 718 257 2800 F 718 257 2144 info@watermark-designs.com