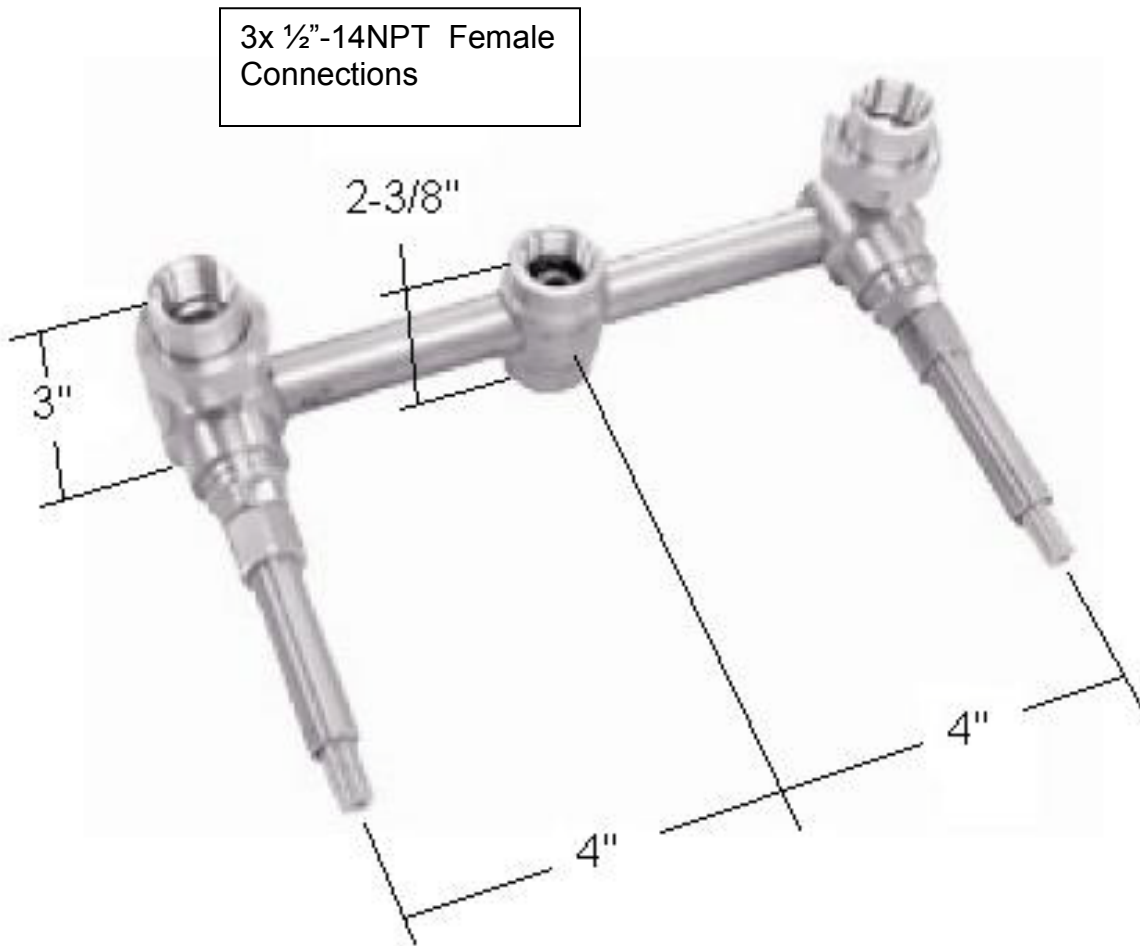


SS-506

2 Valve Shower Rough

Note: Some building codes may require remote pressure balance valve, SS-PB50, for anti-scald.



Note: Installation Depth Dependant on handle trim selection.

Meets the applicable requirements of ASME A112.18.1-2005/CSA B125.1-05, entitled "Plumbing Supply Fittings"

WATERMARK DESIGNS

350 Dewitt Ave Brooklyn NY 11207 USA T 718 257 2800 F 718 257 2144 info@watermark-designs.com