

### SS-506

### 2-VALVE SHOWER ROUGH

**Note:**

- USE TEFLON TAPE OR PIPE SEALANT FOR THREADED CONNECTIONS
- DO NOT USE PLUMBER'S PUTTY ON ANY OF THE BRASS COMPONENTS  
This will cause the finish to tarnish and void the warranty. A non-corrosive Alkoxy Silicone is recommended.
- DURING SWEATING OF LINES DO NOT OVERHEAT CASTING  
Overheating may cause damage to internal mechanism and void the manufacturer's warranty as well as increase the risk of scalding.
- COPPER ADAPTORS MAY BE REQUIRED TO COMPLETE YOUR INSTALLATION

### Diagram A

Measurements are from the tip of the nipple to the finished wall

Handle Trim #	Measurement (IN.)
A	2 1/4
AA	2 1/2
AQ	1 1/4
AX	2 1/4
AX less base ring	2 1/8
AXP	2 1/4
AZ1	1 3/4
B4/B5	2 1/8
B9M/B9P	1 3/8
BB	2 1/2
BG4/BG5/BK	2
BL1	1/4
BL2/BL3	3/4
BV01/BV02	2 1/2
BV05	1 1/4
BV09	2 1/4
BV13/BV15	1 3/4
BV81	1 1/2
CC	2 5/8
CC11	1 3/4
CC20/CC21/CC22	1 3/8
CC30/CC31	2 1/4
CC40/CC41/CC42	1 3/8
CC51	1
CC61	1 3/4
CL14/CL15	1 7/8
CL16	1 3/8

Handle Trim #	Measurement (IN.)
CRY4/CRY5/D	2 1/4
D5/D6	1 3/4
DD	2 1/2
DD2/DD3	1 1/8
ED1/ED2/ED3/ED4	1 5/8
ELEMENTS	1 3/8
EV4	1 1/8
F/G	2 1/4
H	2 1/8
H4	1 1/2
HH/I	2 1/4
IN14/IN16	2 1/4
J5/J6	1 3/4
KK	1 1/2
L4/L5/L6/L8	1
L9	1 7/8
MZ4/MZ5	2 1/8
N2/N3/N4	1 1/2
N5	1 5/8
R1	3/4
R2	1 7/8
R3	1 1/2
S	2
S1/S1A/S2/S3	1 3/8
SA1	2
SA2	2 1/4
SP4/SP5	1 3/8

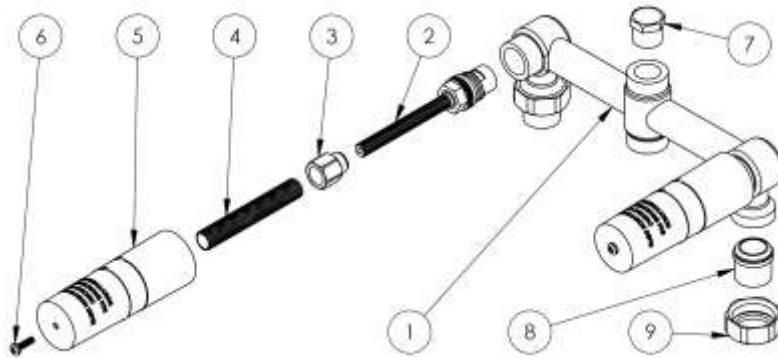
Handle Trim #	Measurement (IN.)
SW	2 1/8
SWA	1 1/4
SWU/T	1 7/8
T1	1 3/4
T4	1 5/8
T6/T7/T8/T9	2 1/4
TIA/TIB	7/8
TR14/TR15	2 1/4
TR24/TR25	1 3/8
U	1 7/8
U1	2 3/8
U3/U5/U6/U7	2 1/8
U8	1 1/8
V	1 3/8
V1	5/8
V2	1 1/4
W/WW	2 1/4
WW less base ring	2 1/8
X	2
XJ/XK/XM/XN/XO/XQ	1 3/8
XX	2 1/4
Y	2
Y2	1 3/8
YY	2 1/4
Z	2
ZEN	1 1/2
ZZ	2 1/4

**NOTE: WHEN FITTING HANDLE IT MAY BE NECESSARY TO SHORTEN BROACH STEM AND/ OR THREADED NIPPLE TO MINIMIZE GAP BETWEEN HANDLE AND ESCUTCHEON.**

### Valve Installation

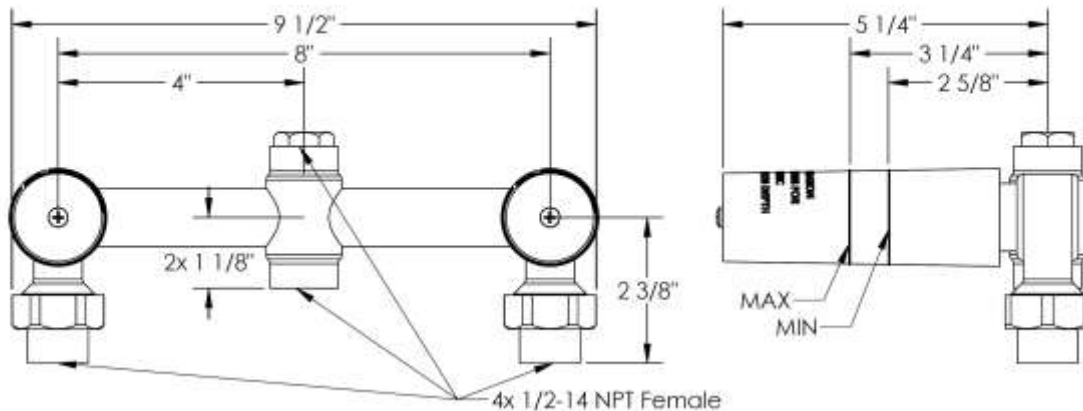
1. Place the valve rough body in position according to mudguard or according to installation Diagram A.
  - **For Diagram A, measure from the tip of the nipple to the finished wall.**
2. Sweat lines so that water follows arrow on valves.
3. Test valve after it is installed.
  - Run valve for 30 seconds and check for leaks
4. Once valve has been tested proceed to close wall up to mudguard.
5. Install Trim.
  - Mount and hand tighten escutcheons to all thread nipples.
  - Install handles on valves. Stems can be cut down if necessary.
    - **NOTE:** For heavier lever handles tighten packing nut (3).
    - **NOTE:** Alignment kits are included with most trim to aid in positioning handles horizontally (Diagram D).
    - **NOTE:** If valve is set too far in the wall, 1" extension kits may be ordered: Model # SS-EXT60.

**Diagram B**



ITEM NO.	MODEL NO.	QTY.
1	SS-506-BODY	1
2	CRT503-COLD/HOT	1 COLD/1 HOT
3	SS-TS200-PKNG-NUT	2
4	SS-TS200-NPPL	2
5	WALL-VLV-MDGRD	2
6	MUDGUARD SCREW	2
7	SS-506-CAP	1
8	SS-506-CPLNG	2
9	SS-506-NUT	2

**Diagram C**



**Diagram D**



Rev. 11/2017