

Diagram 7 – Dimensional Drawings

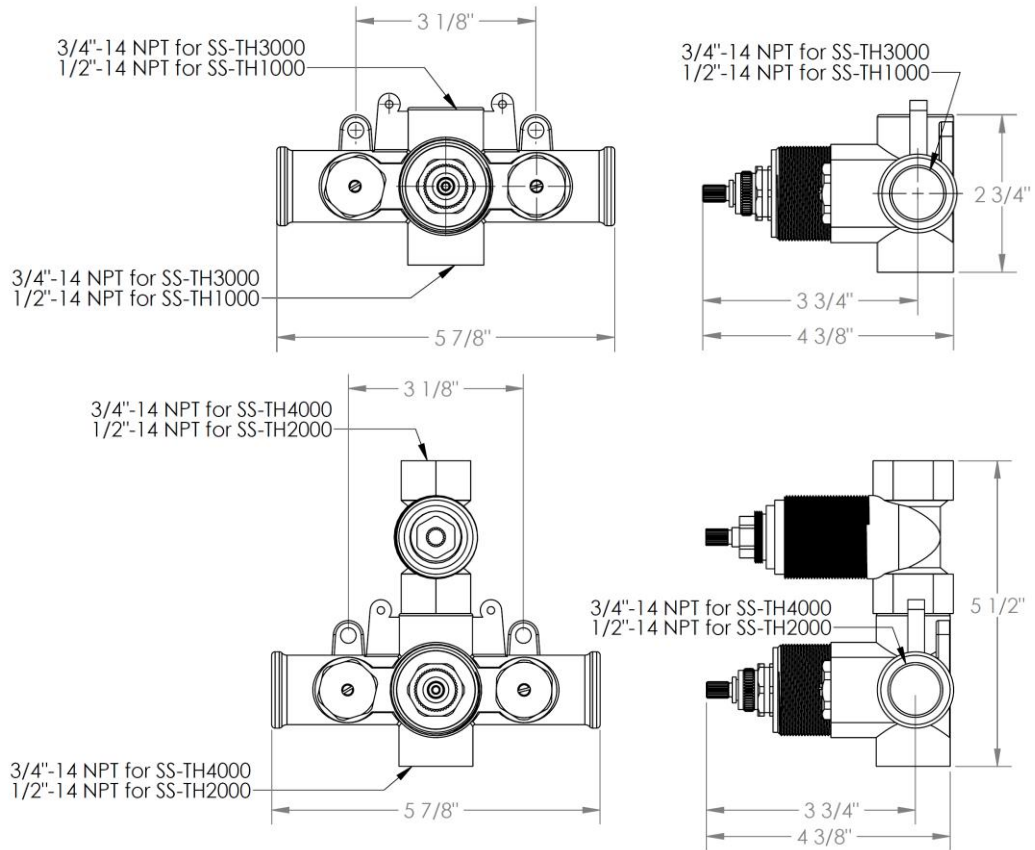


Diagram 8: Sample Layouts

