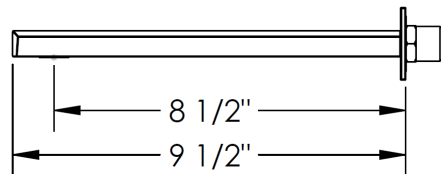
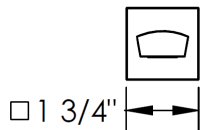
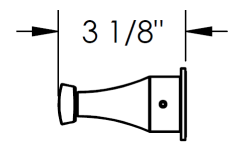
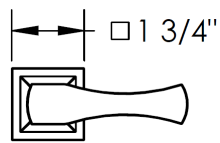
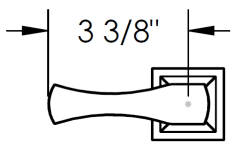
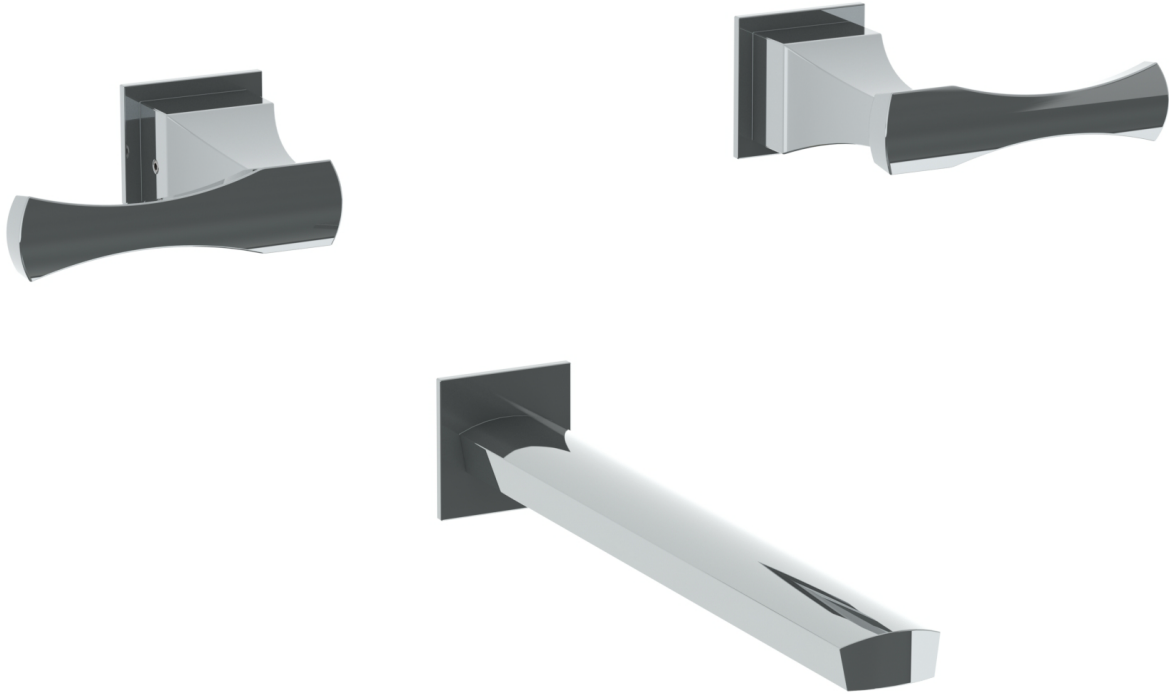


125-5-BG4

2 Valve Wall Mounted Tub Set

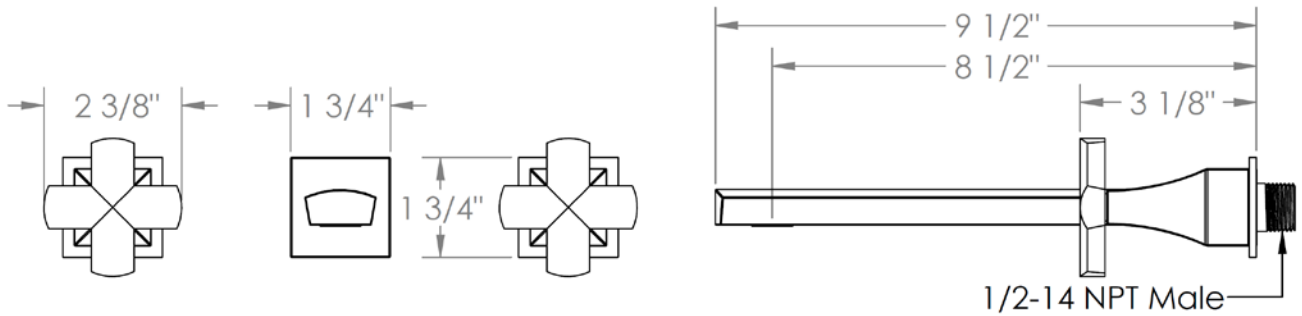


Meets the applicable requirements of ASME A112.18.1-2005/CSA B125.1-05, entitled "Plumbing Supply Fittings"

125-5-BG5

Wall Mounted 3 Hole Bath Set

For use with SS-506 or SS-THV2.2-26C concealed rough



Meets the applicable requirements of ASME A112.18.1-2005/CSA B125.1-05, entitled "Plumbing Supply Fittings"