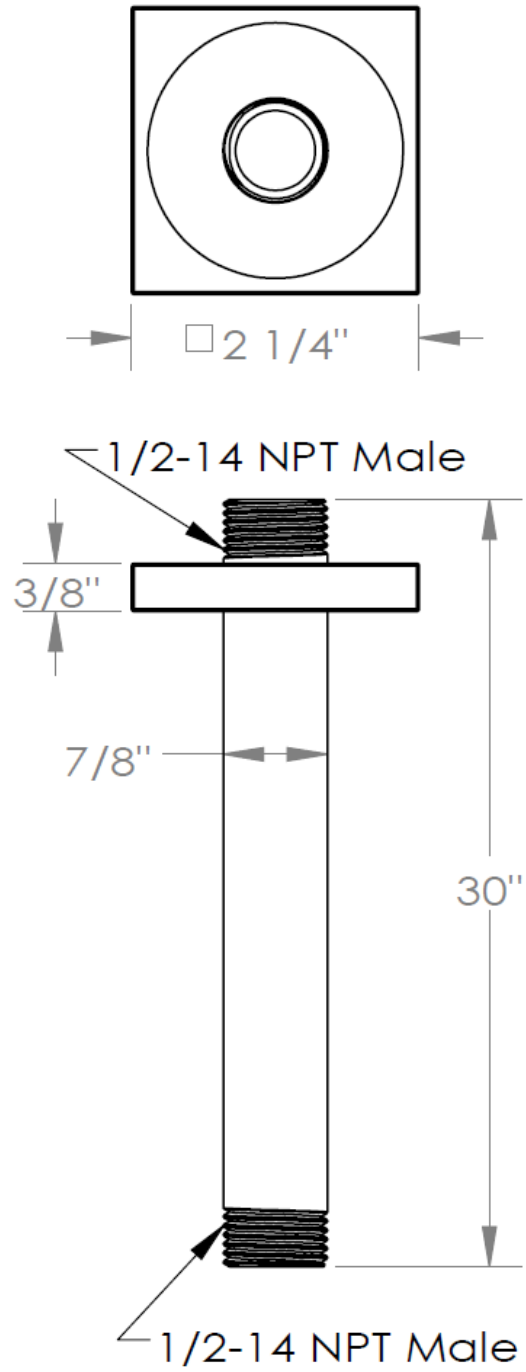


**SS-607AFSQ**

30" Ceiling Arm with Flange



**WATERMARK** DESIGNS 12/31/2014