

WATERMARK

DESIGNS

T 718.257.2800

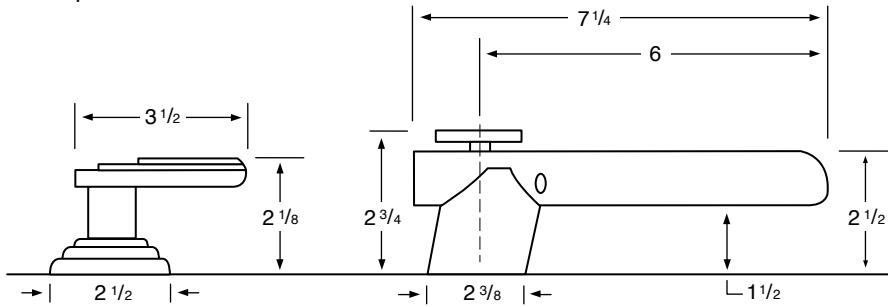
F 718.257.2144

info@watermark-designs.com

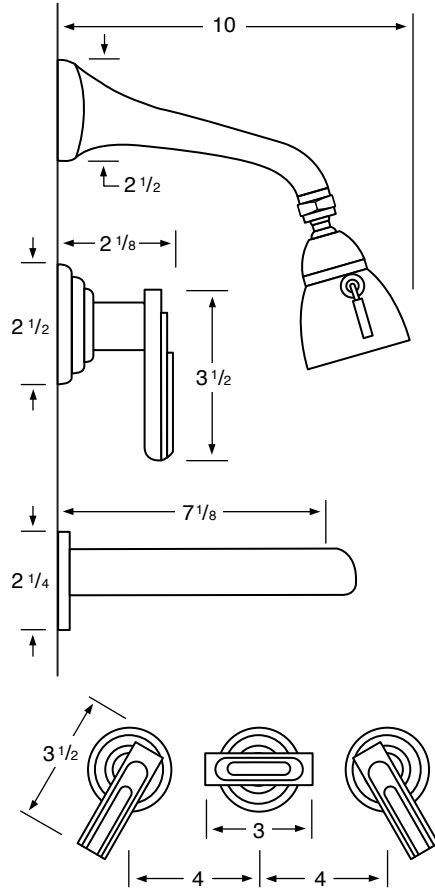
Aqueduct 160

Specifications

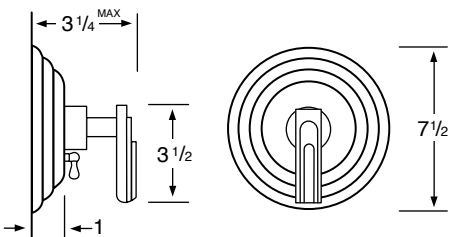
160-2
Widespread



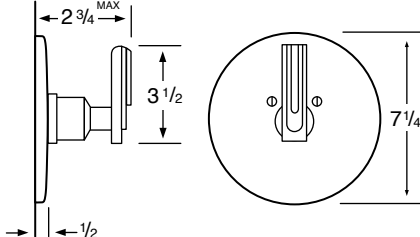
160-3 3 Valve Tub & Shower
160-5 2 Valve Tub
160-6 2 Valve Shower
160-WTR Wall Valve Trim



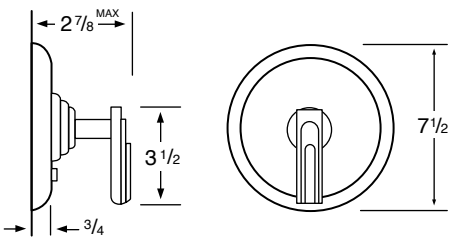
160-3.2/160-6.2
Pressure Balancing Valve



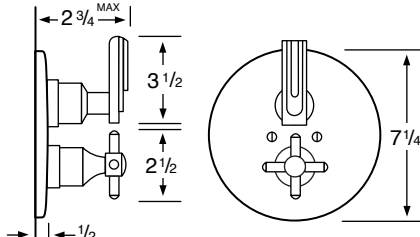
160-THRMKT10/160-3.5/160-6.5
Thermostatic Valve



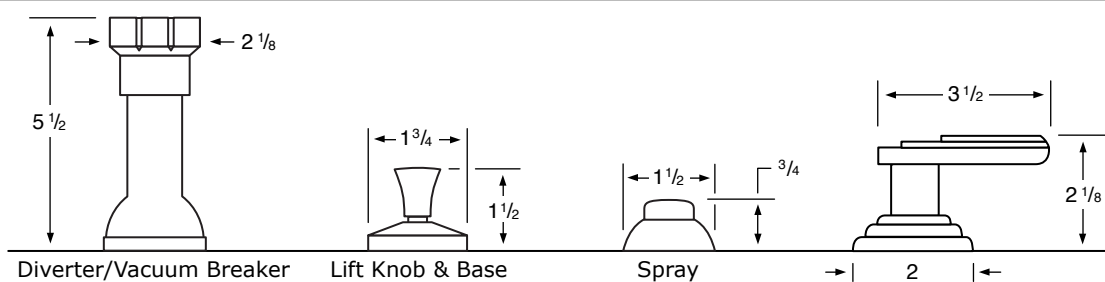
160-3.2TMP/160-6.2TMP
Tempress Pressure Balancing Valve



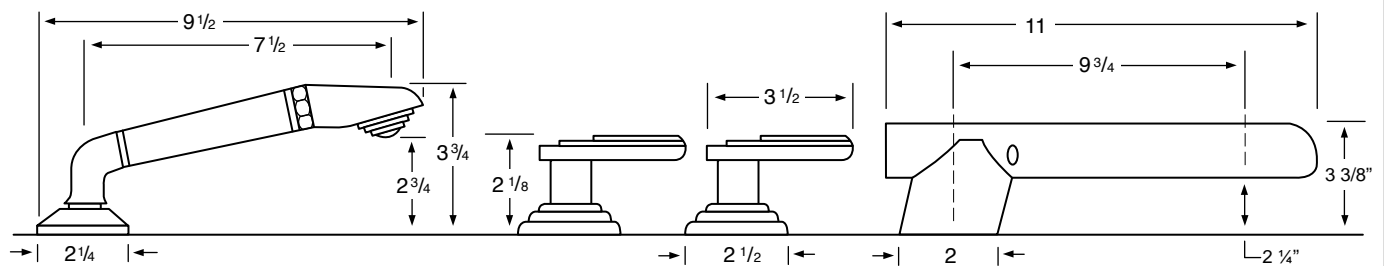
160-THRMKT20/160-3.4/160-6.4
Thermostatic Valve with Built in Volume Control



160-4
Bidet



160-8/160-8.1
Roman Tub



See Handle Trim Specifications for a complete list of additional handle trims