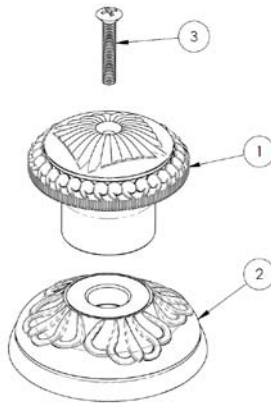
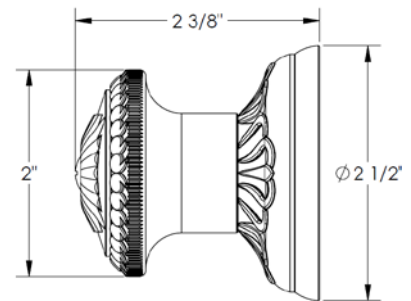


HANDLE TRIMS

Lago/Azhar (Code: AZ1)



ITEM NO.	PART NUMBER	QTY.
1	AZ1-HNDL-WTR	1
2	AZ1-ESC	1
3	CR-OHMS 0.164-32x1x1-S	1



Specification from Finished Wall to Tip of Broach Stem

HANDLE TRIM #	MEASUREMENT (IN.)
AZ1	2 1/2

Note: When fitting handle it may be necessary to shorten broach stem and/or threaded nipple to eliminate gap between handle and escutcheon

IMPORTANT INSTALLATION INFORMATION

- USE TEFLON TAPE OR PIPE SEALANT FOR THREADED CONNECTIONS
- DO NOT USE PLUMBER'S PUTTY ON ANY OF THE BRASS COMPONENTS
This will cause the finish to tarnish and void the warranty. A non-corrosive Alkoxy Silicone is recommended.
- DURING SWEATING OF LINES DO NOT OVERHEAT CASTING
Overheating may cause damage to internal mechanism
- COPPER ADAPTORS MAY BE REQUIRED TO COMPLETE YOUR INSTALLATION

For technical support, please call 718-257-2800