

INSTALLATION FOR 2 & 3 VALVE ROMAN TUB SETS (DECK MOUNT)

Note:

- Use teflon tape or pipe sealant for threaded connections.
- Do not use plumber's putty, chemical cleaners, or any product with ammonia on any of the brass components. This will cause the finish to tarnish and void the warranty. A non-corrosive 100% silicone is recommended.
- During sweating of lines do not overheat casting. Overheating may cause damage to internal mechanism.
- Copper adaptors may be required to complete your installation.

1 Carefully remove all parts from the box. These units should contain the following parts:

- Refer to 2-valve or 3-valve Roman Tub Set installation diagram.

Note: Flexible hoses are not provided with 3-valve tub sets due to the high pressure build up caused by hand sprays.

2 Review plumbing flow diagram.

- Refer to 2-valve or 3-valve Roman Tub Set installation diagram.

3 Identify your hot and cold valves (5H, 5C).

- Remove all trim from valve assembly, including top lock nut (4) where applicable, leaving bottom lock nut (3).
- Begin to tighten valve to your deck or tub with a top lock nut or escutcheon (10), but do not tighten completely (refer to handle diagrams).
- Install escutcheon (16 or 10) and handle (2) on valve body. Be sure that bottom of handle properly clears the top of the escutcheon.
- Once you have adjusted the valve height, remove handle and proceed to tighten valve from the bottom until it is snug.
- Install handle onto valve.
- **For 3-valve installation only:** Repeat same installation procedure for diverter valve (5D) as for hot and cold valves.

4 Install spout (1).

- Remove lock nut (7) and washer (8).
- Place spout (1) through hole in deck or tub.
- Place washer, then lock nut onto nipple (under the deck) and tighten.
- **For 2-valve installation only:** screw "T" (6) onto bottom of spout.
- **For 3-valve installation only:** Run a copper line to the diverter and install into port marked "T". (refer to diverter port diagram)

Note: Quick connect spouts

After installing complete spout assembly, the spout may be removed by loosening the set screw and lifting the spout straight up. This feature allows the spout to be temporarily removed during ongoing construction.

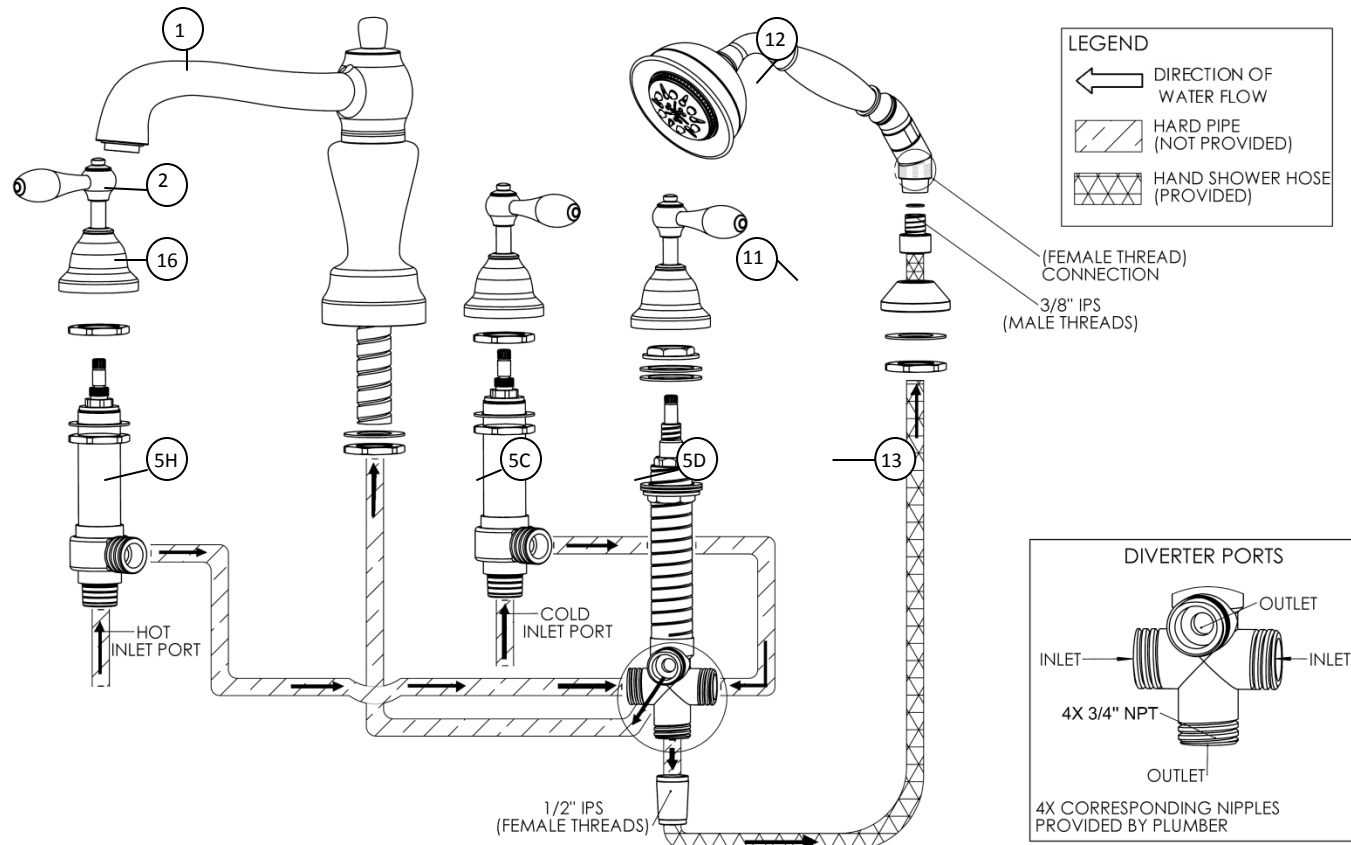
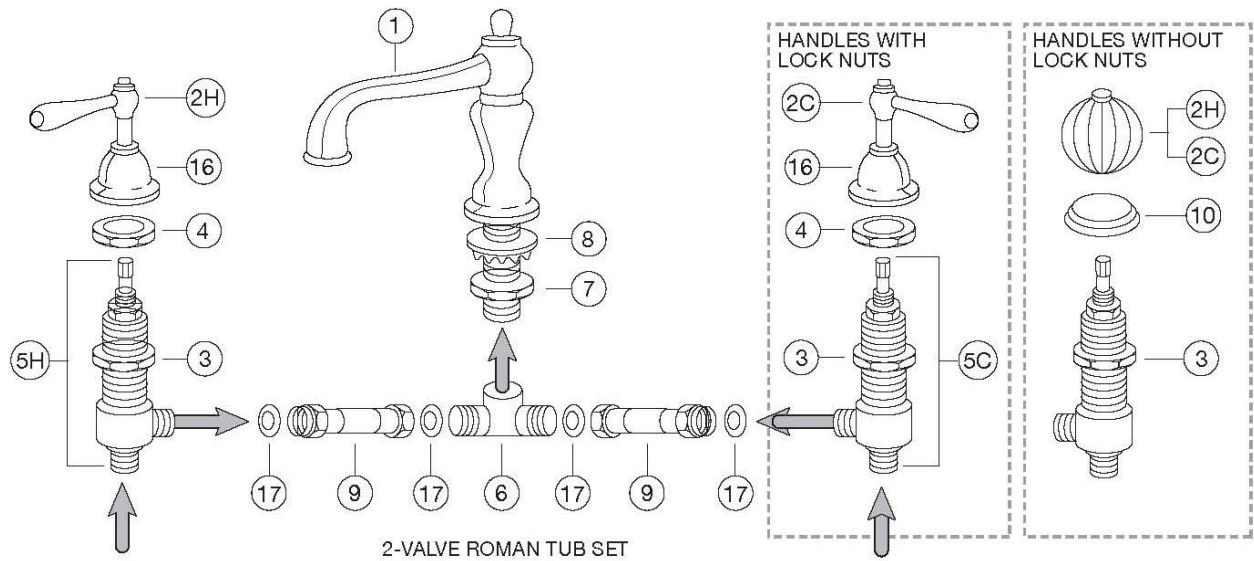
- ## **5 For 2-valve installation only:** Connect the two flex hoses (9) to "T" assembly (6) and to the HOT and COLD valves respectively. Be sure to place hose washers (17) between the connections. These hoses can be bent, but be careful not to kink the hoses or you will have limited water supply and excessive noise from the faucet.

For 3-valve installation only: Make line connections (refer to diverter port diagram).

- Connect copper line from the HOT and COLD valves to the respective ports in the diverter marked "In".
- Run a high pressure line or copper line from the diverter port to where the handshower (12) will be located. Connect the handshower hose (13) to this line.
- Install deck bracket (11) for the handshower on deck. Place washer (15), then lock nut (14) onto nipple (under deck) and tighten.
- Put handshower hose through deck bracket and connect handshower.

- ## **6 Begin by bleeding the water lines before connecting to the valves. Connect water supplies to bottom of each valve. There are several methods of doing this, depending upon your current supply.**

- ## **7 Check for leaks. If leaks or problems occur, re-tighten all nuts before consulting a plumber.**



Carefully remove all parts from the box. This basic Roman tub set should contain the following:

PARTS FOR 2-VALVE INSTALLATION		PARTS FOR 3-VALVE INSTALLATION	
2	HANDLES (2)	3	HANDLES (2)
2	ESCUTCHEONS (16 OR 10)	3	ESCUTCHEONS (16 OR 10)
1	SPOUT (1)	1	SPOUT (1)
2	VALVES HOT (5H) COLD (5C)	2	VALVES HOT (5H) COLD (5C)
2	3/4" FLEX HOSES (9) *	1	DIVERTER VALVE (5D)
4	HOSE WASHERS (17)	1	HAND SHOWER HOSE (13)
1	3/4" "T" ASSEMBLY (6)	1	HAND SHOWER (12)
	*On most models	1	DECK BRACKET/ H-BASE (11)

REV. 9/13

FOR TECHNICAL SUPPORT PLEASE CALL 718-257-2800 OR VISIT WWW.WATERMARK-DESIGNS.COM

WATERMARK 350 DeWitt Avenue, Brooklyn NY 11207, USA T: 718.257.2800 E: info@watermark-designs.com