

# INSTALLATION FOR TEMPRESS PRESSURE BALANCE VALVE

SS-PB70 Shower valve

(for model # xx-6.2TMP)

SS-PB80 Tub/shower valve with diverter (for model # xx-3.2TMP)

## Notes:

- During sweating of inlet lines do not overheat casting. Overheating may cause damage to internal mechanisms and void the manufacturer's warranty as well as increase the risk of scalding.
- Do not use plumber's putty, chemical cleaners, or any product with ammonia on any of the brass components. This will cause the finish to tarnish and void the warranty. A non-corrosive 100% silicone is recommended.

## Features:

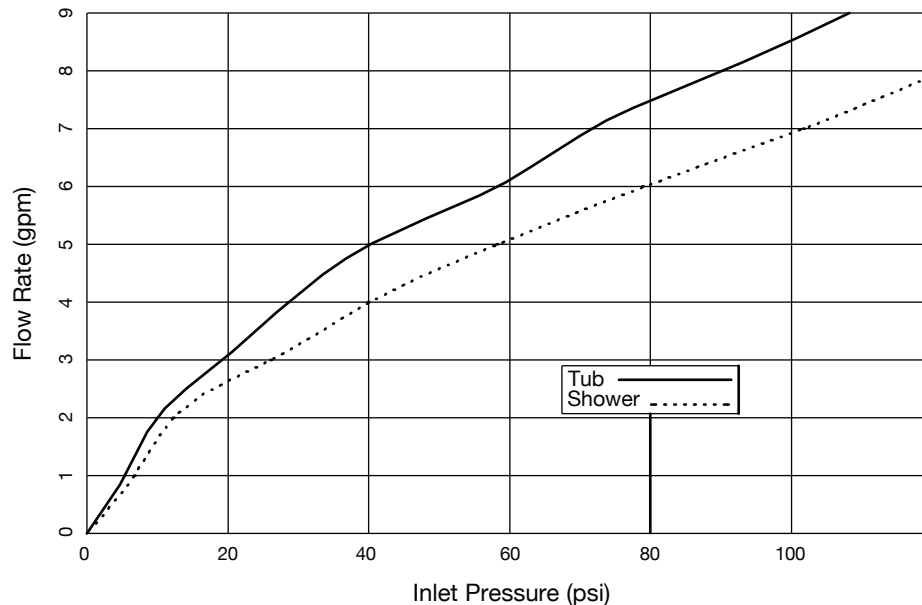
- Diaphragm cartridge maintains water temperature within  $\pm 2^\circ$  F.
- Compensates for water pressure fluctuations, preventing scalding.

## Specifications:

- Operating pressure is 20 PSI to 145 PSI.
- Temperature range is  $50^\circ$  F to  $180^\circ$  F.
- All inlets and outlets are  $\frac{1}{2}$ " IPS.

DIAGRAM 1

Flow Rate Vs. Inlet Pressure



FOR TECHNICAL SUPPORT PLEASE CALL 718-257-2800

REV. 12/12

# TEMPRESS PRESSURE BALANCE VALVE

- 1 Flush the lines of all dirt and debris. Failure to completely flush the lines will cause valve failure and will void the manufacturer's warranty.
- 2 Position valve in wall with the shower outlet marked "S" up and the tub outlet marked "T" down.  
Refer to diagram 2 for proper installation depth.  
Note: Protective cover (mud guard) may be removed to ensure proper installation depth but must be replaced on valve for plastering and/or tiling. Diameter of wall cut-out hole around valve is 6 1/4".

## Specification from Finished Wall to Tip of Broach Stem

## DIAGRAM 2

HANDLE TRIM #	MEASURE-MENT (IN.)
A	4
AA	4 1/4
AQ	3
AX	4
AZ1	3 1/2
B4/ B5	4
B9	3 1/8
BB/ CC	4 1/4
BL1	2 3/8
BL2/ BL3	2 1/2
BK	2 5/8
BV01/ BV02	4
BV05	3
BV09	4
BV13	3 1/2
BV81	3 1/4
CC11	3 1/2
CC20/ 21/ 22	3 1/4
CC30/ CC31	4

HANDLE TRIM #	MEASURE-MENT (IN.)
CC40/ 41/ 42	3 1/4
CC51	2 1/4
CC61	3 1/2
CL14/ CL15	3 5/8
CL16	3 1/8
CRY4	4 1/8
CRY5	3 7/8
D	4
D5/ D6	3 1/2
DD	4 1/4
DD2/ DD3	2 7/8
E/ F/G	4
ED1	2 1/4
ED2/ ED3	2 3/8
ED4	2 1/4
H	4 1/4
H4	3 1/4
HH/ I	4
IN14/IN16	4

HANDLE TRIM #	MEASURE-MENT (IN.)
KK	3 1/4
L4/ L5/ L6	2 3/4
N2/ N3/ N4	3 1/4
N5	3 1/2
R1/ R2	2 1/2
R3	3 1/4
S	3 1/4
S1/S1A/S2/S3	3 1/4
SA1	3 1/4
SA2/ SW	4
T	3 1/2
T1/ T4	3 1/2
T6	4
T7/ T8/ T9	4
TIA/TIB	2 3/4
TR14/ TR15	4
TR24/ TR25	3 1/8
U	3 1/2
U1	4 1/2

HANDLE TRIM #	MEASURE-MENT (IN.)
U3/U4/U5	4 1/4
U6/U7	4 1/4
U8	2 1/4
V	3 1/4
V1	2 1/2
V2/W	3
WA/ WB	3 1/2
WC/ WD	3 1/2
WW	4 1/2
X	3 3/4
XJ/ XM/ XN	3
XO/ XQ	3
XX	4
Y	3 1/4
Y2	3 1/4
YY	4
Z	3 1/4
ZZ	4

Note: When fitting handle it may be necessary to shorten broach stem and/or threaded nipple to eliminate gap between handle and escutcheon

- 3 Test pipe joints and inspect for any possible leaks, pressuring both the hot and cold inlets, before attaching the outer trim components.
- 4 For back to back installations or where the hot and cold water supplies are reversed, turn off the hot/cold water supplies and then simply take out the cartridge, rotate it 180° and reinsert it.
- 5 Install decorative trim. Fit faceplate onto valve.  
Note: For tub/shower valves with diverter, screw diverter knob onto diverter stem.
- 6 Insert handle trim onto stem broach so that escutcheon rests against faceplate and slight clearance is left for handle to rotate freely.  
Note: When fitting handle it may be necessary to shorten broach stem and/or threaded nipple to eliminate gap between handle and escutcheon.

FOR TECHNICAL SUPPORT PLEASE CALL 718-257-2800

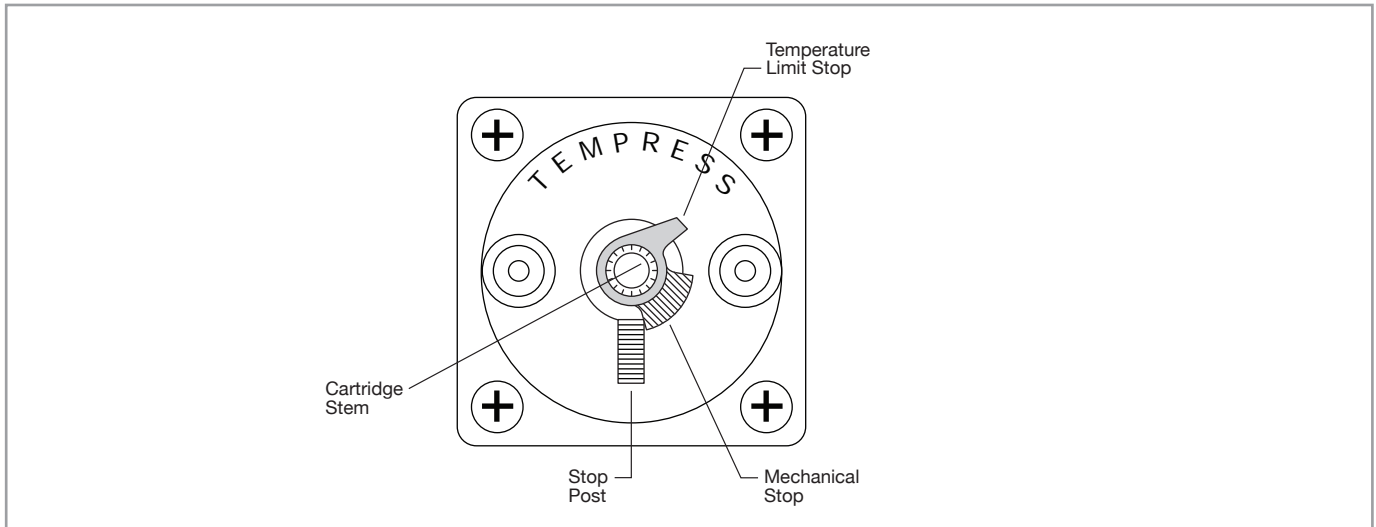
# TEMPRESS PRESSURE BALANCE VALVE

## Adjusting the Temperature Range:

The temperature limit stop is set at the factory in a neutral position. This device can be adjusted to limit the maximum temperature of water delivered by the valve.

- 1 Remove all decorative trim.
- 2 Rotate the cartridge stem fully clockwise to the closed position so that the mechanical stop rests against the side of the stop post.
- 3 Remove stem broach by inserting a long narrow Phillips head screwdriver into the center of the broach and unscrewing screw.
- 4 Lift off temperature limit stop.
- 5 Rotate cartridge stem counter clockwise to desired maximum temperature. Place temperature limit stop on cartridge stem against the left side of the stop post.
- 6 Rotate the cartridge stem fully clockwise to close valve.
- 7 Reinstall stem broach with screw onto cartridge stem.
- 8 Reinstall trim.

DIAGRAM 3



## TROUBLESHOOTING

Malfunction	Cause	Remedy
Shower control opening through hot.	Hot and cold water supplies have been connected in reverse.	Rotate cartridge.
Tub filler or shower head drips after shutting off the valve.	Water remains in the shower piping column (this is normal).  Incorrect setting of the mechanical stop against the stop post causing a partially opened cartridge.  Cartridge inlet o-rings or the filter insert o-rings are faulty.	Allow approximately 3-5 minutes to drain column. <b>Do not stop dripping by applying excessive force when closing the valve.</b>  Reset the mechanical stop as described in "Adjusting the temperature range".  Check the o-rings on the cartridge inlets and the filter inserts for cuts or damage and replace if necessary.
Shower insufficiently hot.	Incorrect setting of the temperature limit stop.	Reset the temperature limit stop as described in "Adjusting the temperature range".

# TEMPRESS PRESSURE BALANCE VALVE

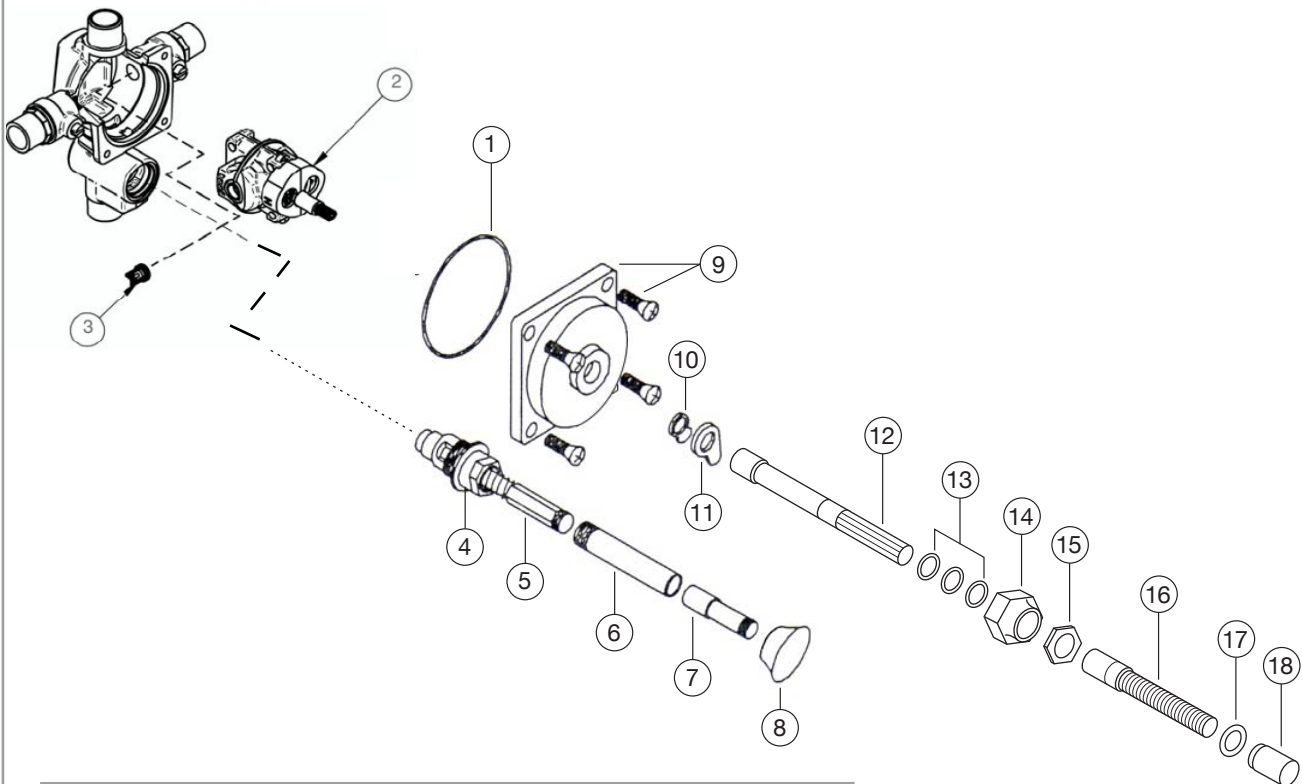
## TROUBLESHOOTING (continued)

Malfunction	Cause	Remedy
No flow of hot or cold water.	Either the hot or cold side is not fully pressurized.  Debris in the inlet filter and/or cartridge and/or check valves.	Be sure check valves are both fully open and system is fully pressurized.  Remove filter inserts and filters, cartridge, and check valves, and remove any debris.
Valve body too deep into wall.	The measured rough in or finished wall surface is incorrect.	Install the proper extension kit: SS-EXT70 for shower valve SS-EXT80 for tub/shower valve with diverter (need to specify finish).

## WATERMARK

## DIAGRAM 4

DESIGNS



Pos.	Description	Pos.	Description
1.	O-Ring	10.	Mechanical Stop
2.	Pressure Balance Cartridge	11.	Temperature Limit Stop
3.	Backflow preventer	12.	Stem Broach
4.	Diverter Cartridge	13.	Spacer
5.	Diverter Link	14.	Hex Nut
6.	Diverter Sleeve	15.	Flat Hex Nut
7.	Diverter Stem	16.	Threaded Nipple
8.	Diverter Knob	17.	Knurled Flat Plate Nut
9.	Valve Cover and 4 Screws	18.	Stem Protector Tube Insert