

# WATERMARK

DESIGNS

T 718.257.2800

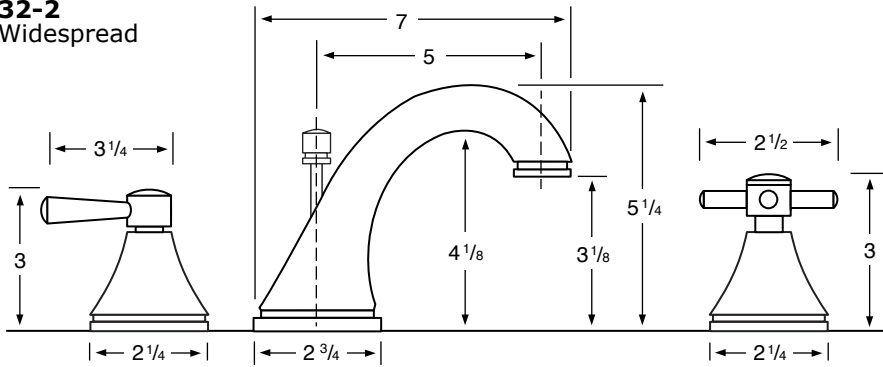
F 718.257.2144

info@watermark-designs.com

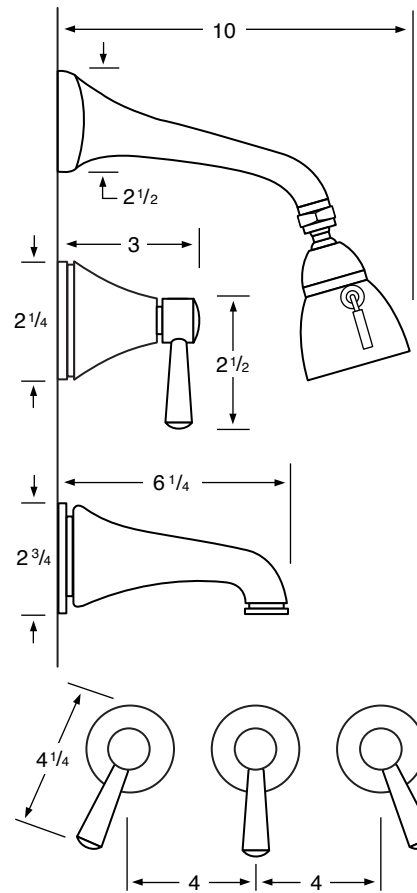
# Sarah<sup>32</sup>

## Specifications

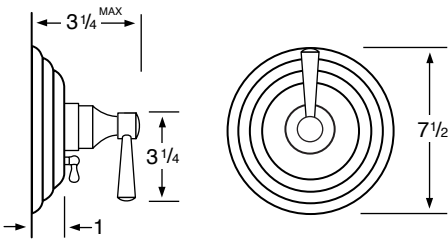
**32-2**  
Widespread



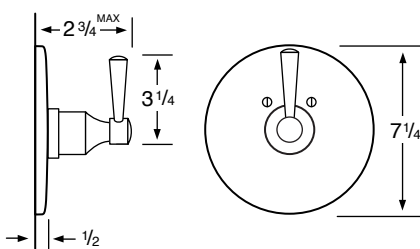
**32-3** 3 Valve Tub & Shower  
**32-5** 2 Valve Tub  
**32-6** 2 Valve Shower  
**32-WTR** Wall Valve Trim



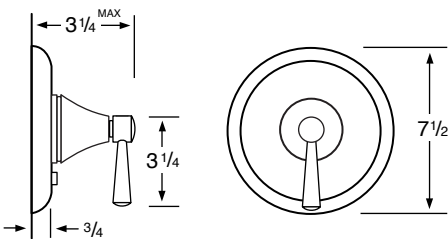
**32-3.2/32-6.2**  
Pressure Balancing Valve



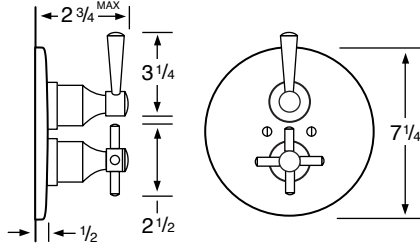
**32-THRMKT10/32-3.5/32-6.5**  
Thermostatic Valve



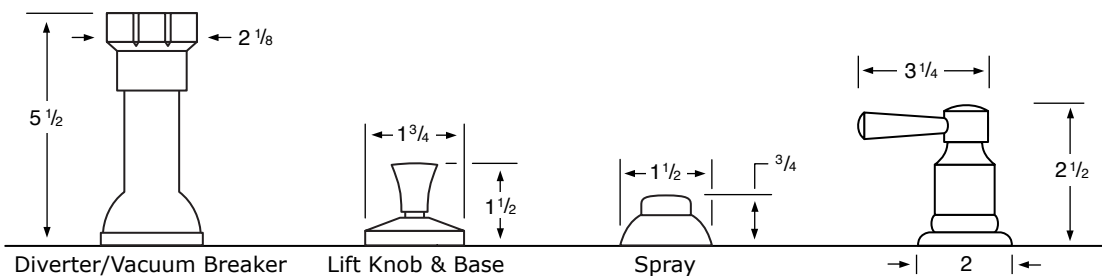
**32-3.2TMP/32-6.2TMP**  
Tempress Pressure Balancing Valve



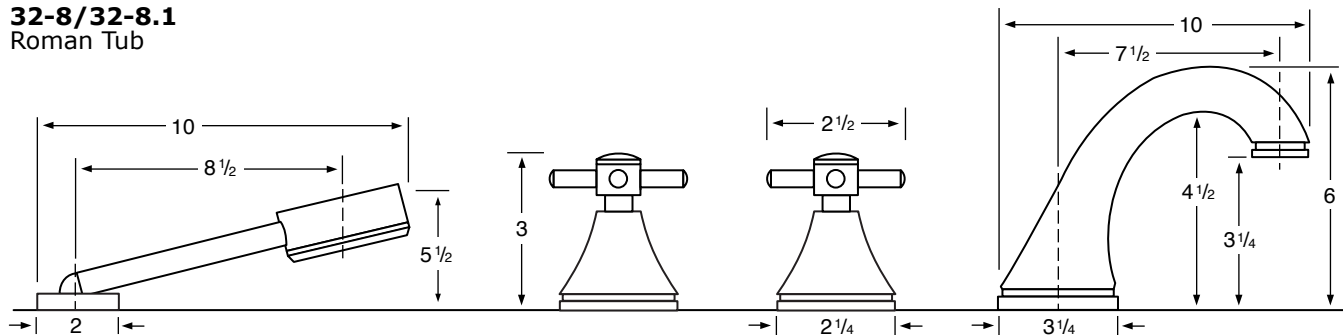
**32-THRMKT20/32-3.4/32-6.4**  
Thermostatic Valve with Built in Volume Control



**32-4**  
Bidet



**32-8/32-8.1**  
Roman Tub



See Handle Trim Specifications for a complete list of additional handle trims