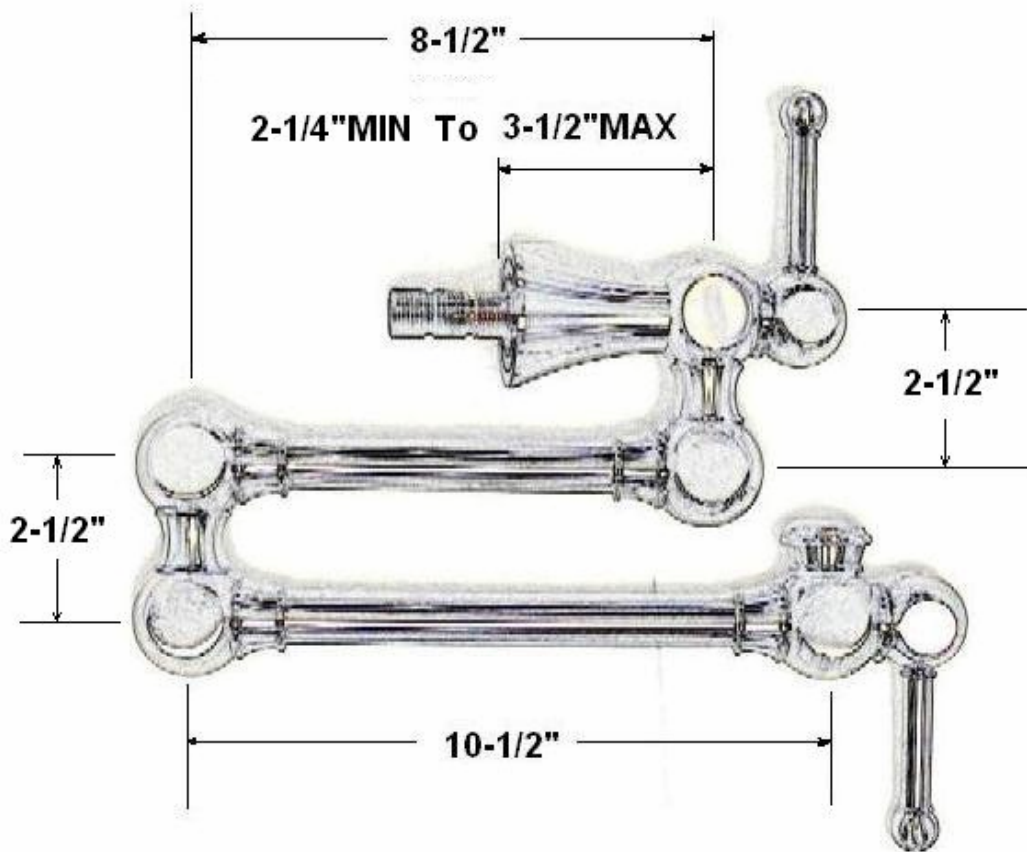


**KIT600**  
**WALL MOUNT TRADITIONAL POT FILLER**



**WATERMARK** DESIGNS

491 Wortman Avenue Spring Creek NY 11208 USA T 718 257 2800 F 718 257 2144 info@watermark-designs.com