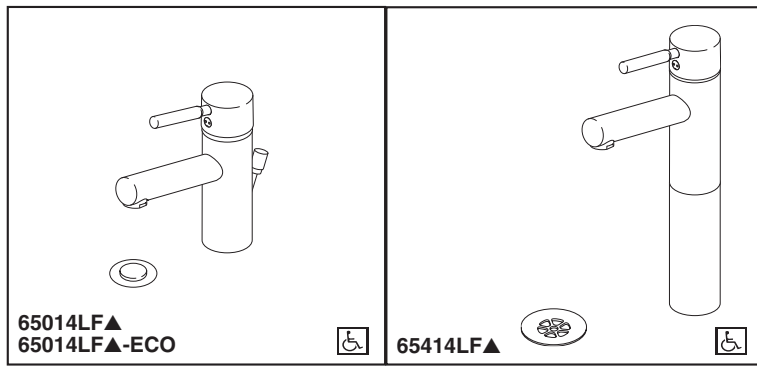


BRIZO®

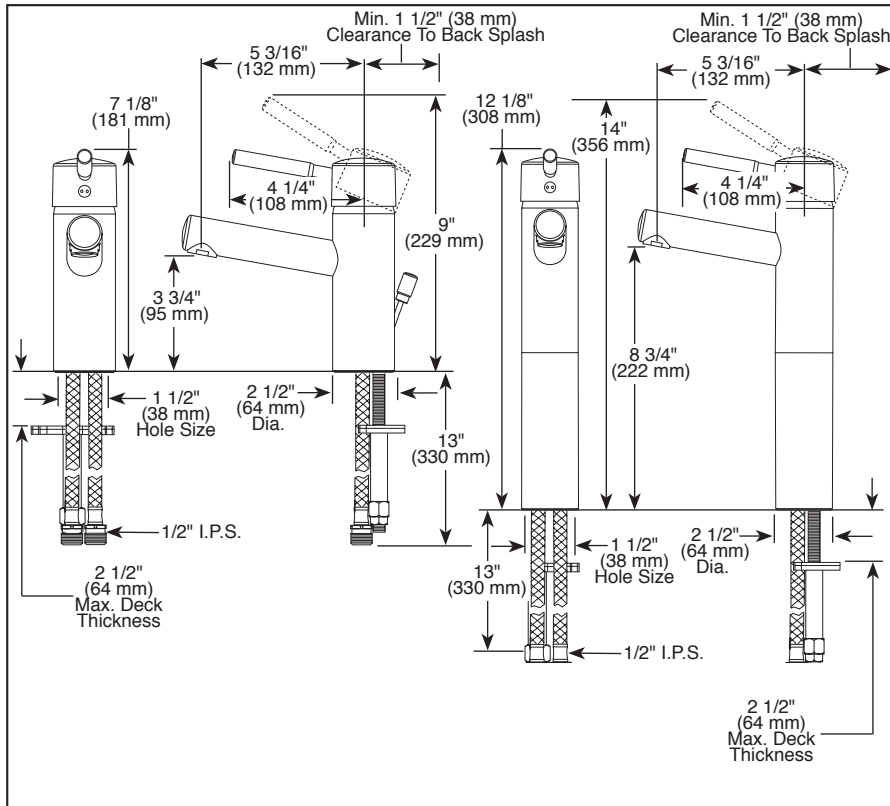
LAVATORY FAUCETS

- Quiescence® Bath Collection
- Single Handle & Vessel Deck Mount



Submitted Model No.: _____

Specific Features: _____



<p>RP72411▲ Grid Strainer Drain less overflow holes</p>	<p>RP72413▲ Push Button Drain less overflow holes</p>	<p>RP81627▲ Push Button Drain less overflow holes</p>
<p>RP72412▲ Grid Strainer Drain with overflow holes (Included on 65414LF)</p>	<p>RP72414▲ Push Button Drain with overflow holes</p>	<p>RP81628▲ Push Button Drain with overflow holes</p>

▲ Designate Proper Finish Suffix

STANDARD SPECIFICATIONS:

- Max. 1.50 gpm @ 60 psi, 5.70 L/min @ 414 kPa
- Max. (ECO models only) 1.20 gpm @ 60 psi, 4.54 L/min @ 414 kPa
- Single hole mount
- Control mechanism shall be of the rotating ceramic cartridge type
- 65014LF metal drain has pop-up type fitting with plated flange and stopper (RP28653)
- The back edge of the faucet body must be at least 1 1/2" from the backsplash on wall in order to allow the lift rod to function properly
- 65014LF vessel deck model includes metal grid strainer with overflow (RP72412)

WARRANTY

- Lifetime limited warranty on parts (other than electronic parts and batteries) and finishes: or, for commercial users, for 5 years from date of purchase.
- 5 year limited warranty on electronic parts (other than batteries); or, for commercial users, for 1 year from the date of purchase. No warranty is provided on batteries.



COMPLIES WITH:

- ASME A112.18.1 / CSA B125.1
- ASME A112.18.2 / CSA B125.2
- Indicates compliance to ICC/ANSI A117.1
- EPA WaterSense®
- Verified compliant with .25% weighted average Pb content regulations.