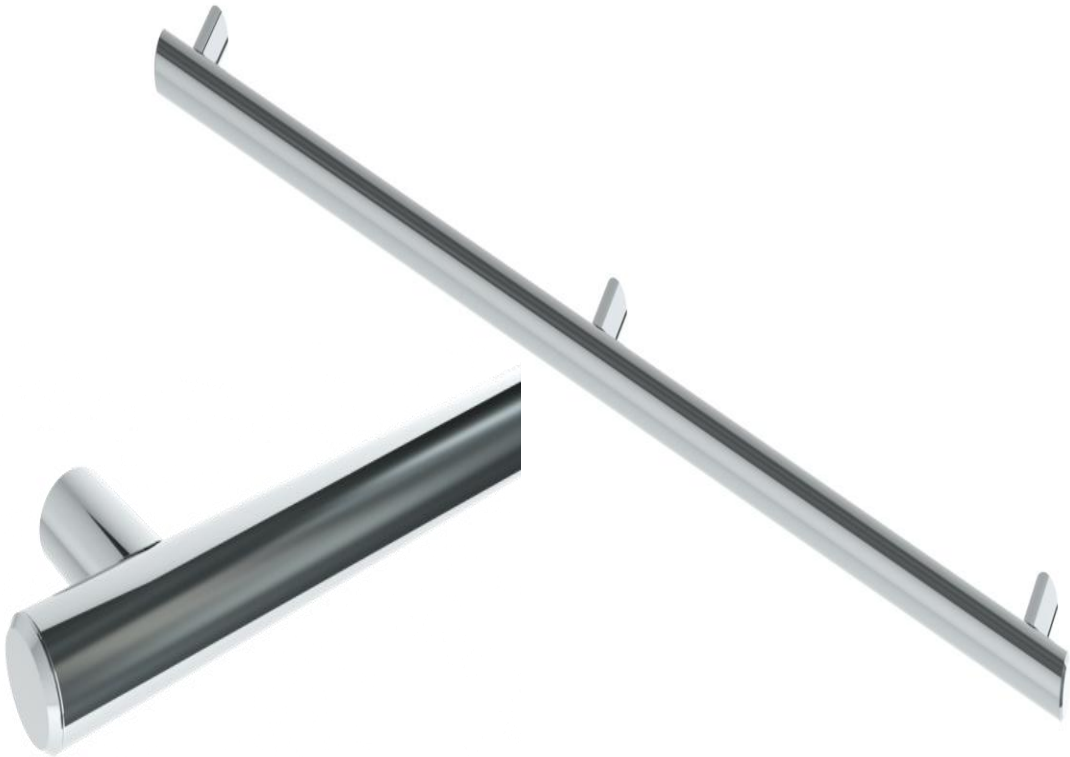


GB26, GB27, GB28
Grab Bars



Model No.	Dimension of CTC1	Dimension of CTC2	Dimension of L	Dimension of OA
GB26	36"	18"	16 ⁷ / ₈ "	39 ³ / ₄ "
GB27	42"	21"	19 ⁷ / ₈ "	45 ³ / ₄ "
GB28	48"	24"	22 ⁷ / ₈ "	51 ³ / ₄ "

