

# Essential

Product code : **ES66**

Draft revision : **20170320140000**

External dimensions : **65" x 41,5" x 24,5" [165,1 cm x 105,4 cm x 62,2 cm]**

Series : **deck mount**

Seats : **2**

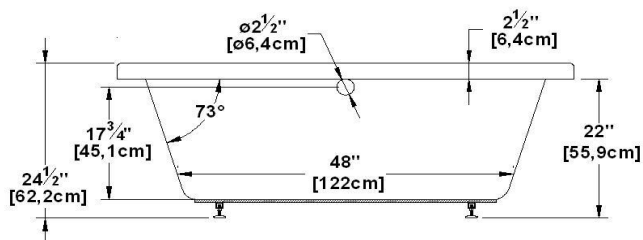
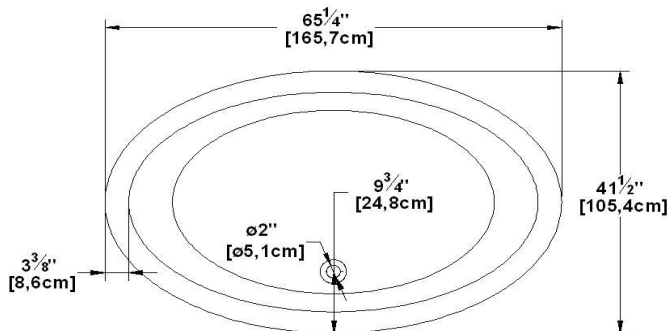
Lumbar support : **no**

Arm rests : **no**

Low-profile available : **no**

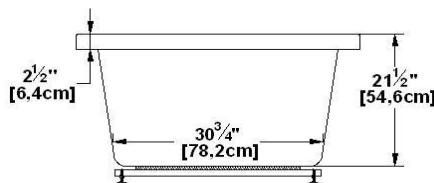
Also available in **FREESTAND**

## Draft and specs

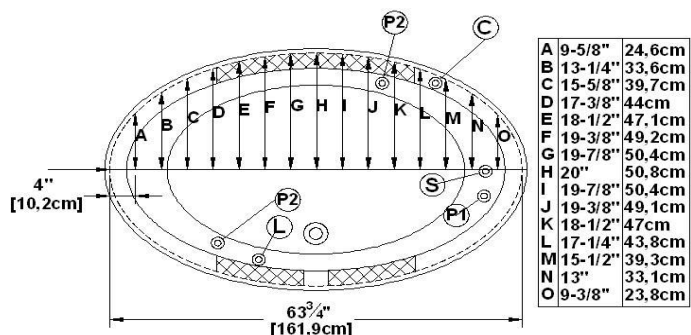


Specifications	
Capacity :	<b>66 IMP Gal. / 86,1 US Gal. / 300,0 liters</b>
AeroMassage™ :	<b>47 Easy Clean™ air jets</b>
Super AeroMassage™ :	<b>AeroMassage™ + 12 Easy Clean™ air jets</b>
Dynamic Turbo™ :	<b>4 Confort Pulse jets / 4 Confort Swirl jets</b>
Comfort Air™ :	<b>47 Easy Clean™ air jets</b>
Characteristics :	<b>n/a</b>

Remarks	
<i>*all measures have a precision of ± 1/4" (0,63cm)</i>	
<i>*internal dimensions taken at 4" (10cm) from bath bottom</i>	
<i>*capacity is measured by filling the soaker to 1-1/2" under the overflow</i>	



## Options and installation



accessories and decorative lines positions are approximative

Additional(s) note(s) :

**Keypad not installed when ordered with remote control.**

Legend			
(S)	Blower	(L)	Chromotherapy light
(P1)	Pump	(P2)	Grab bar
(C)	Keypad		
(X)	Recommended faucets drilling location*		
Deck cut-out line - - - - -			

Available models	
Model	Availability
Soaker alone	✓
Comfort Air™	✓
AeroMassage™	✓
Super AeroMassage™	✓
Dynamic Turbo™ (not available in the U.S.)	✓
Dynamic Turbo™ + AeroMassage™	✓
Dynamic Turbo™ + Super AeroMassage™	✓

Available recommended options	
Front skirt :	
Recommended drain :	<i>WOCO14 (chrome finish)</i>
Tile flanges :	<i>unavailable</i>
Remote control** :	<i>available</i>
**Floating	

*\*It is possible to install the faucets elsewhere on the product. The installer must verify that there are no piping or wires before drilling.*

**IMPORTANT NOTE :** Specifications, dimensions and models are subject to change.

Visit our website <http://www.oceania-attitude.com> to access up-to-date dimensions and informations. In all cases, information on the website is the most up-to-date. Dimensions may vary slightly. To ensure proper fit, measurements must be taken on the product directly.

### Head office

591, avenue des Entreprises  
Thetford Mines, Quebec  
CANADA G6H 4B2

### Phone numbers

No-charge : 1-877-332-4224  
Fax : 1-866-460-4334

### Internet

Web : <http://www.oceania-attitude.com>  
Email : [info@oceaniabaths.com](mailto:info@oceaniabaths.com)