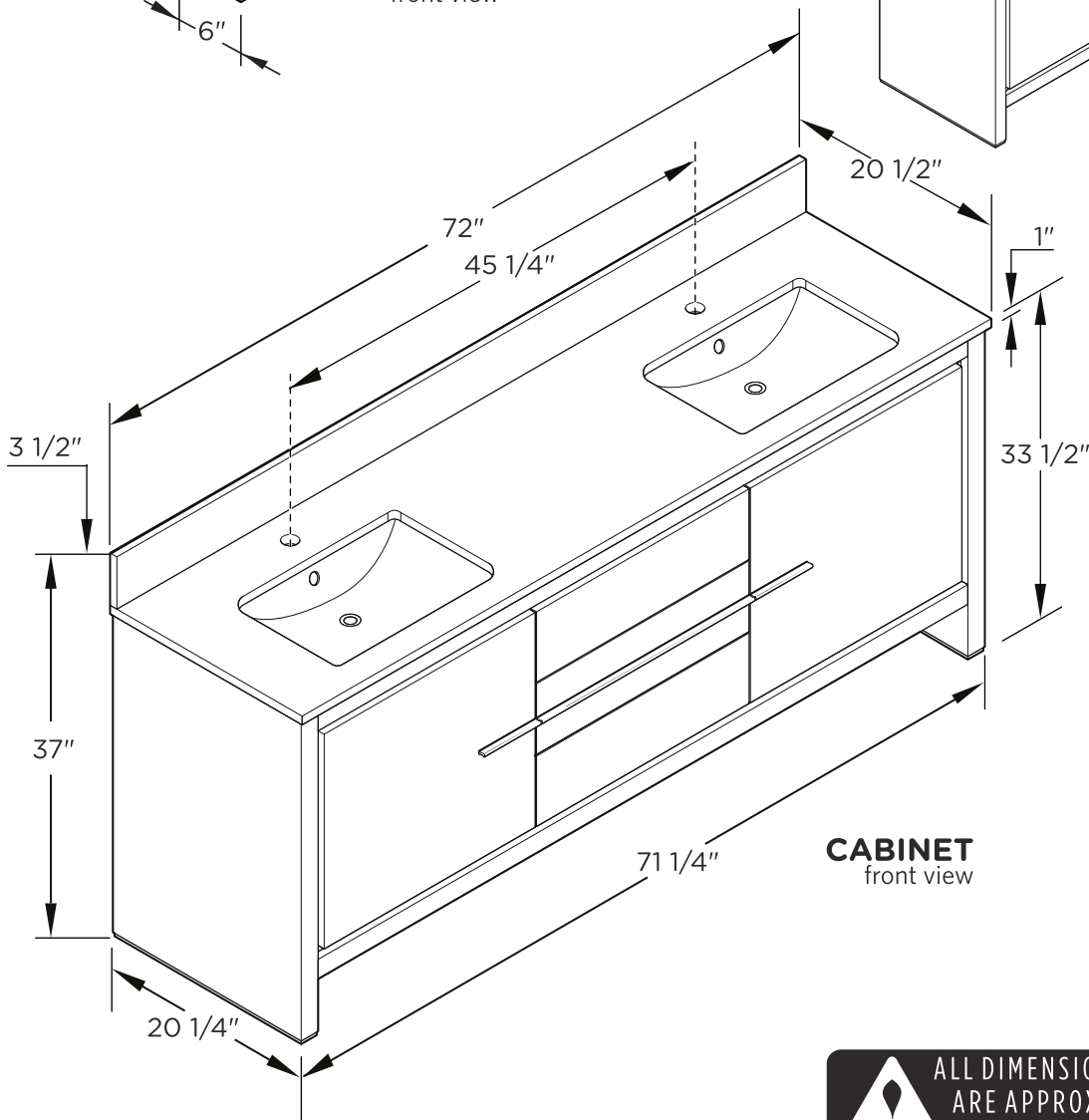
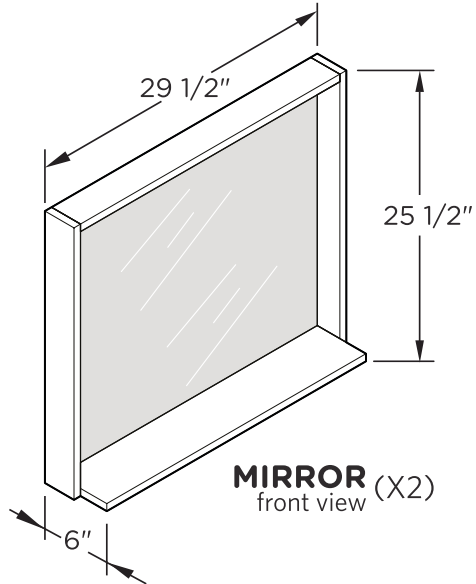
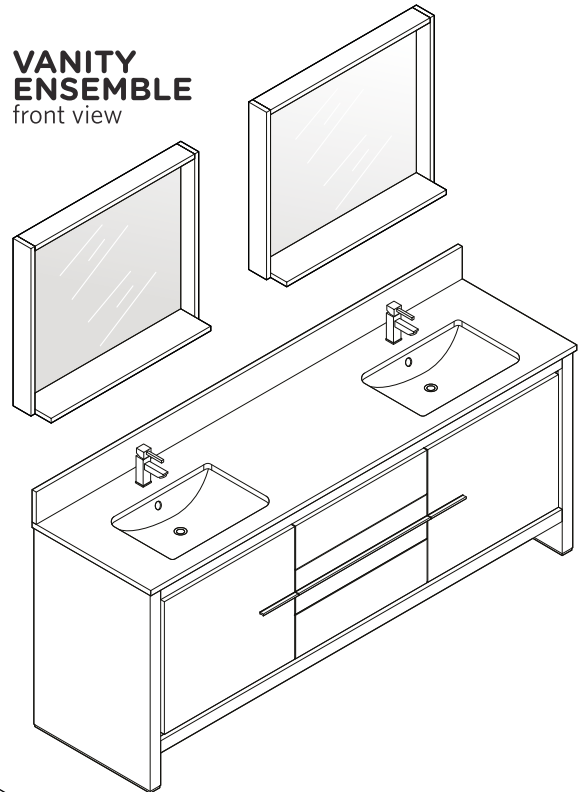


FVN8172
ALLIER
INSTALLATION GUIDE



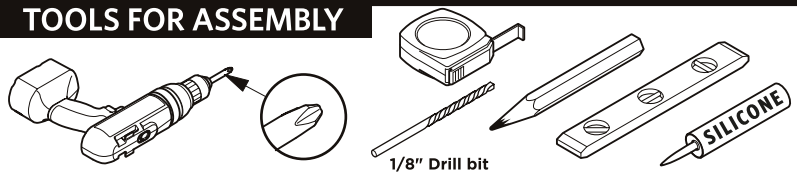
SPECIFICATION SHEET

VANITY ENSEMBLE
 front view

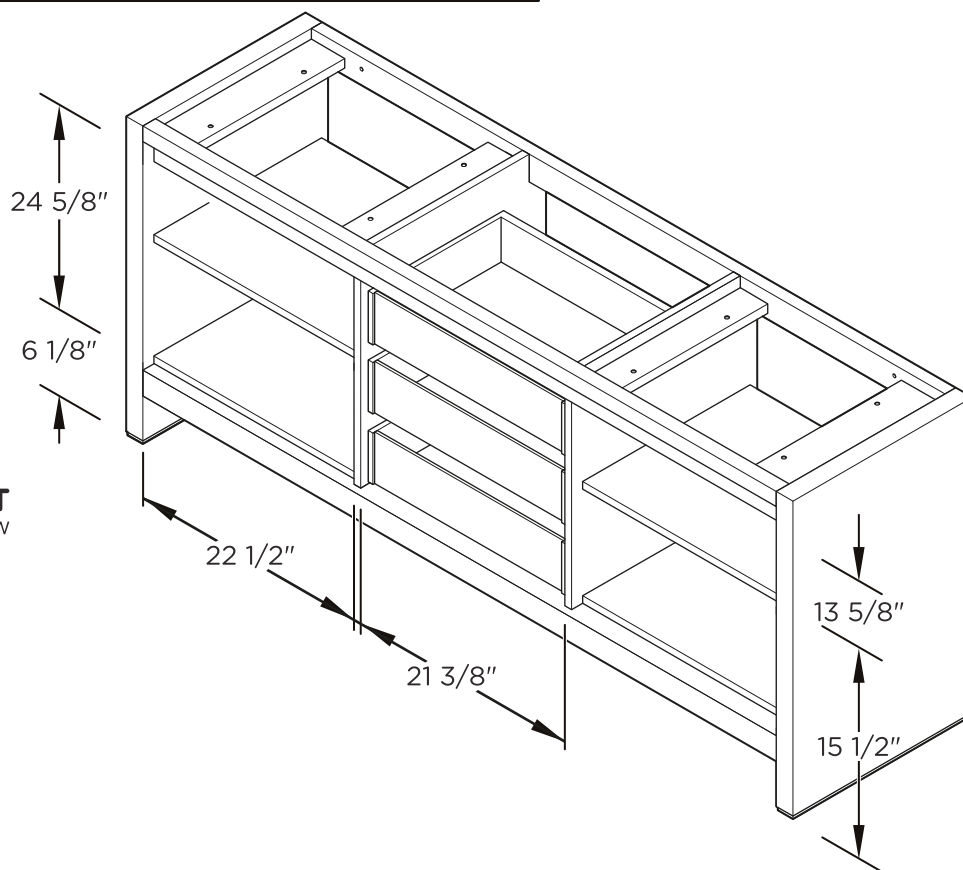


! ALL DIMENSIONS & SPECIFICATIONS ARE APPROXIMATE AND SUBJECT TO CHANGE WITHOUT NOTICE.

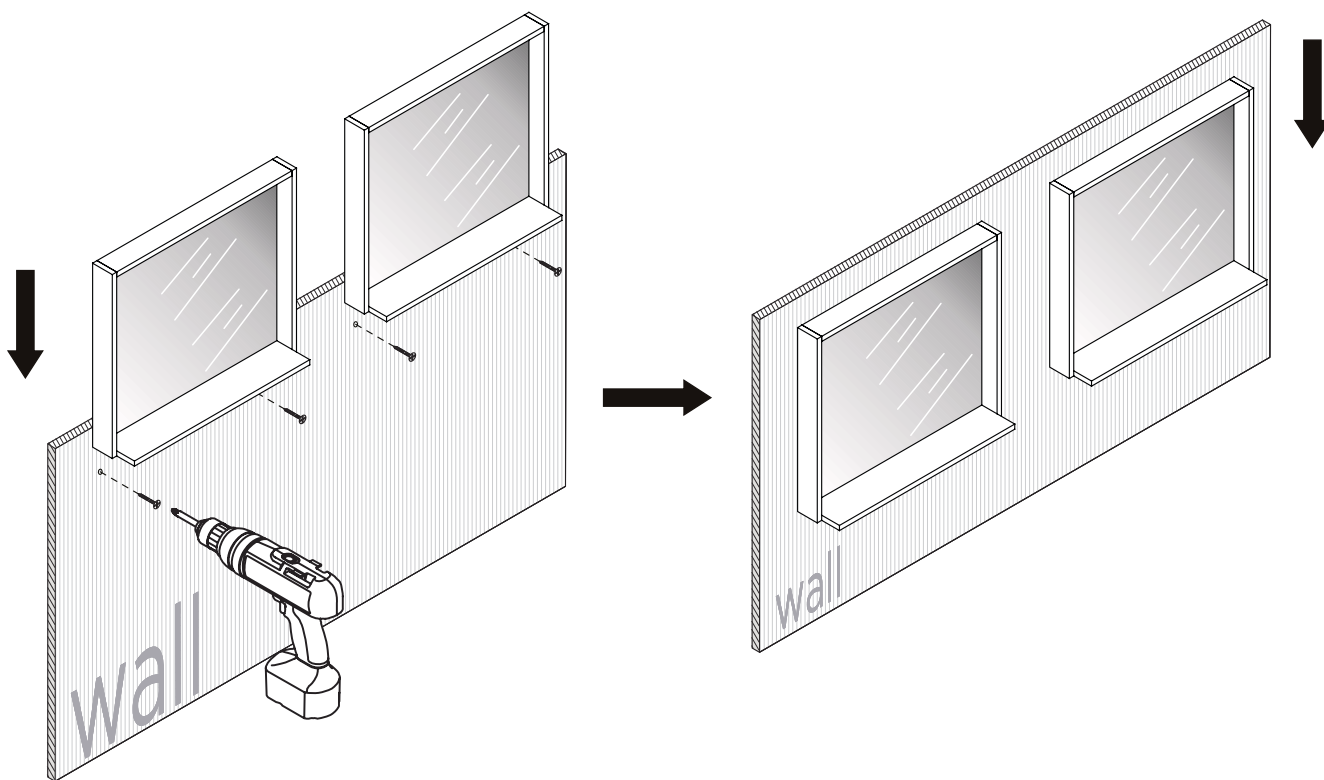
TOOLS FOR ASSEMBLY



CABINET
back view

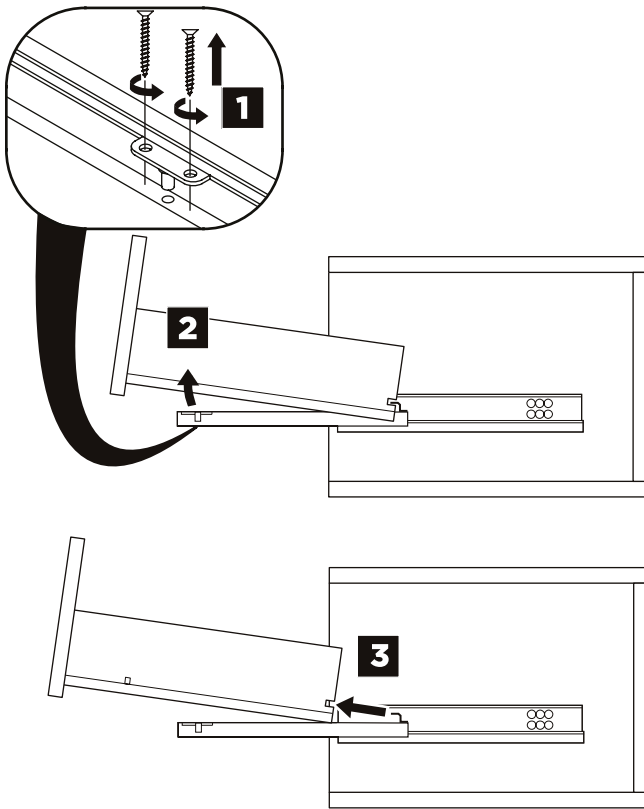


MIRROR INSTALLATION

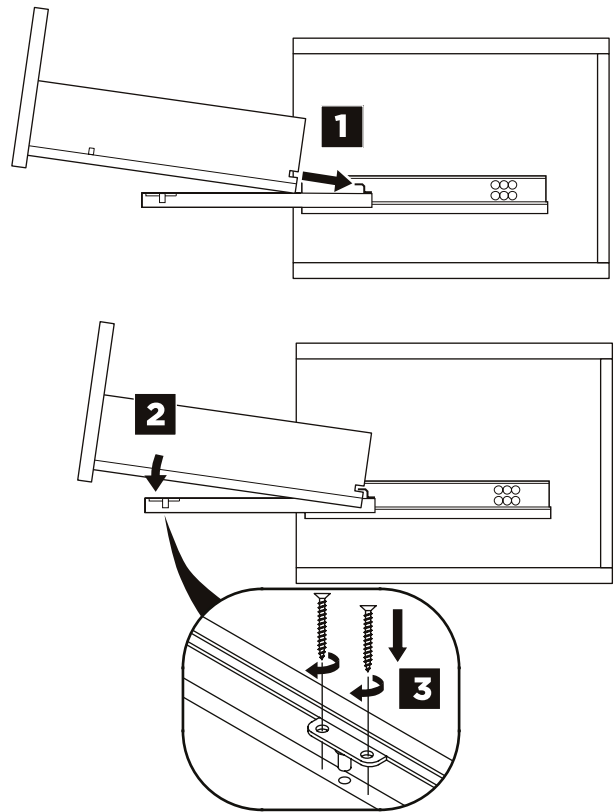


DRAWER REMOVAL & INSTALLATION

REMOVAL

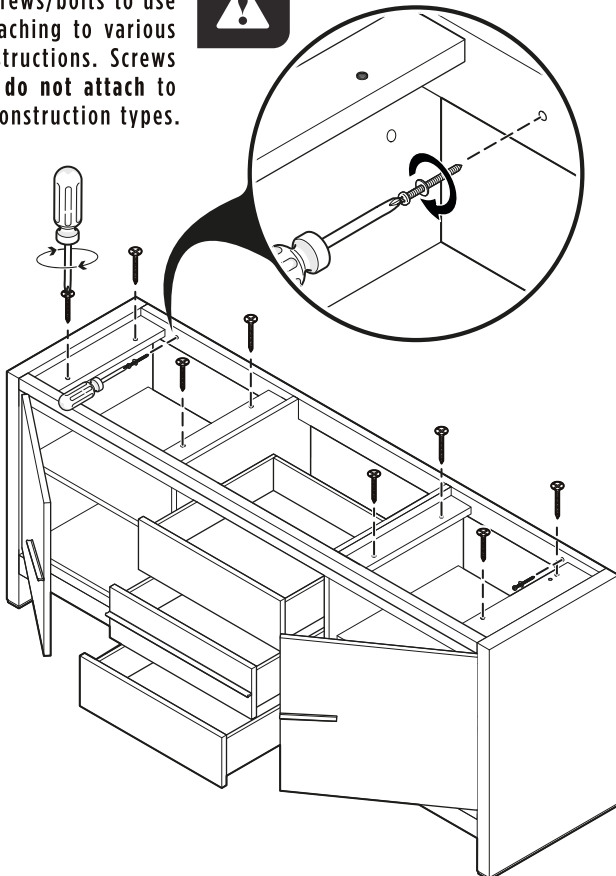


INSTALLATION

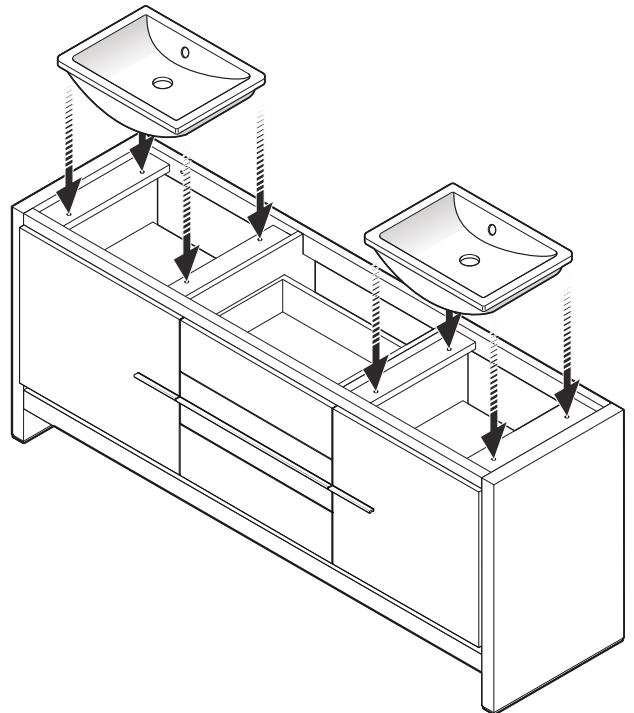


1. Attach Screws

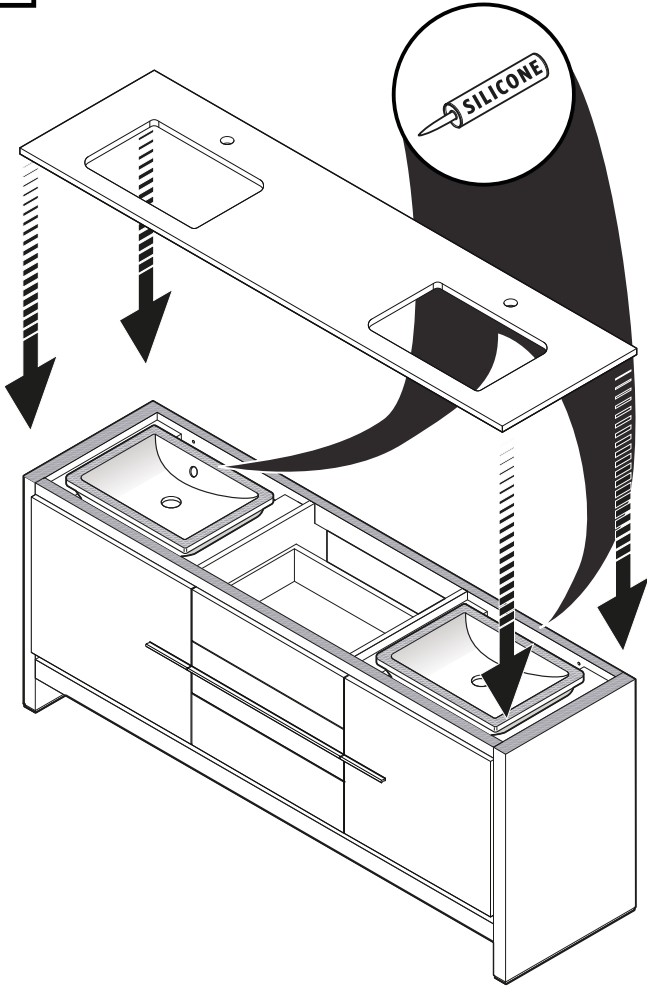
Consult an expert for the proper screws/bolts to use when attaching to various wall constructions. Screws provided do not attach to all wall construction types.



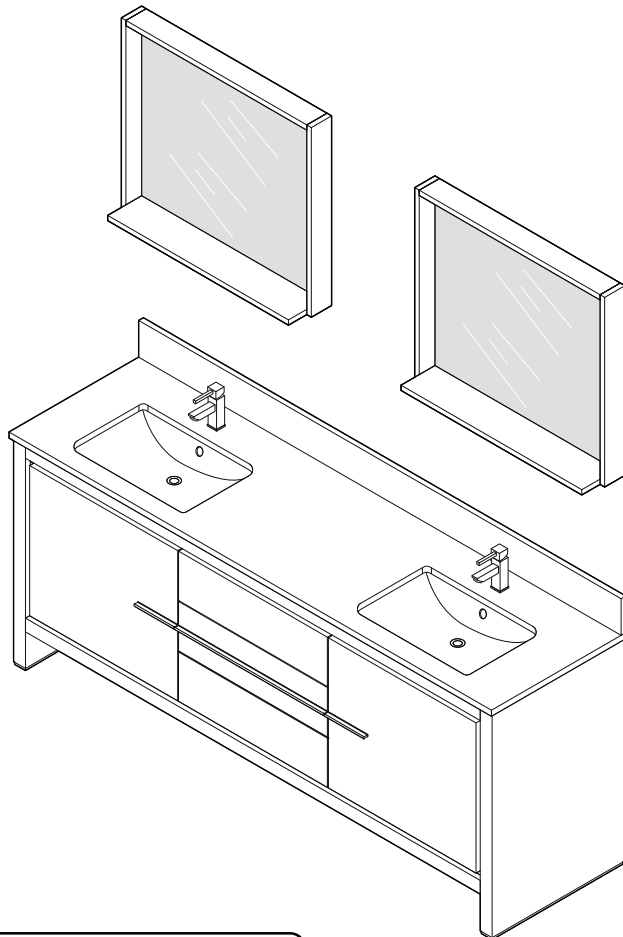
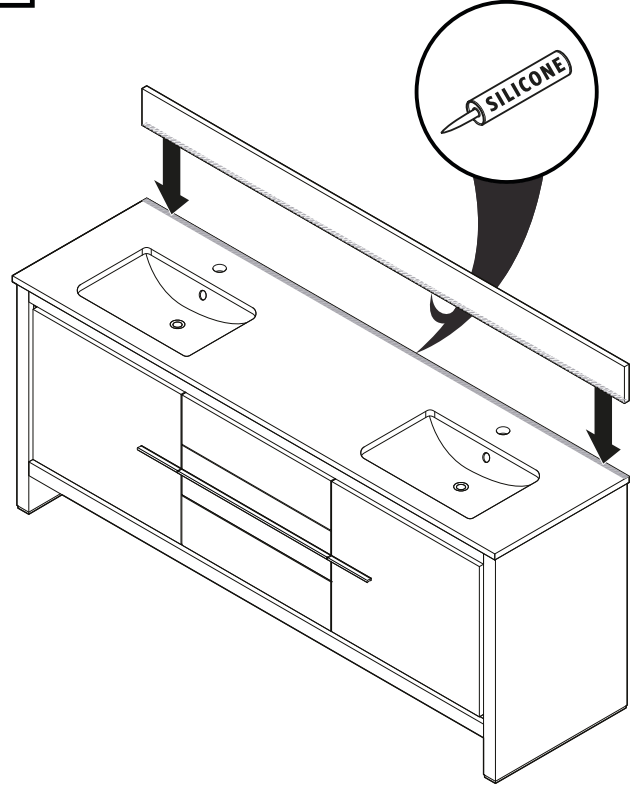
2. Install Sinks



3. Install Countertop



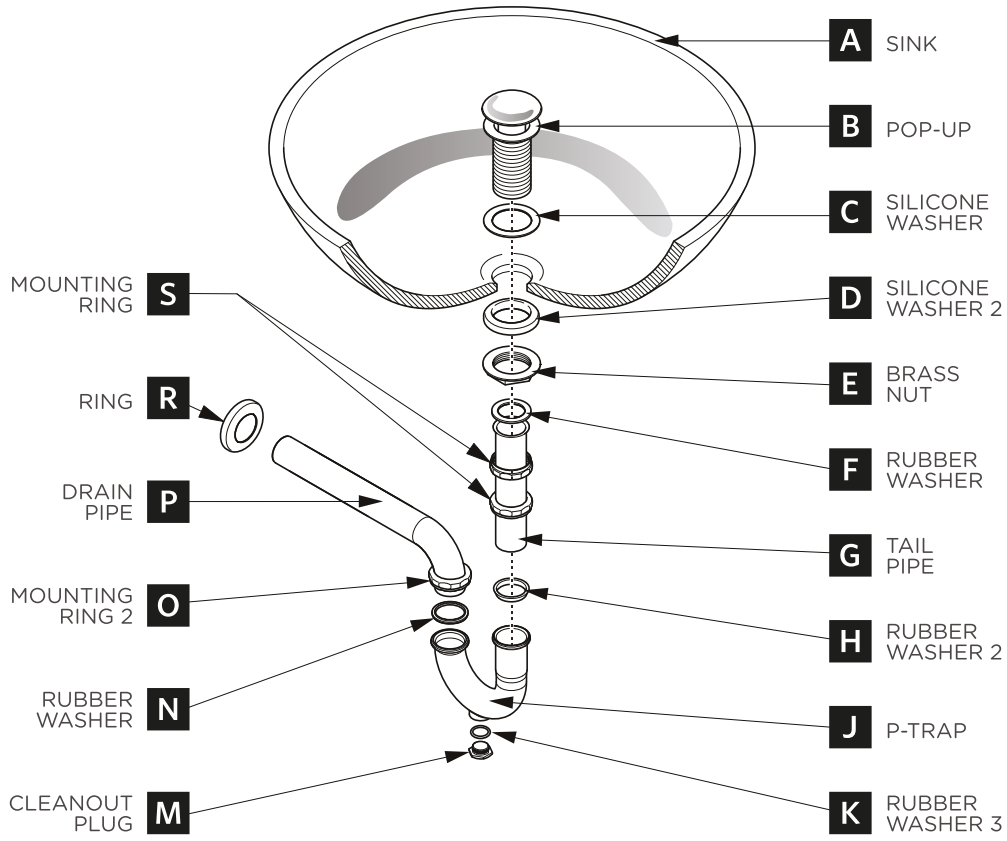
4. Install Backsplash



P-TRAP & POP-UP

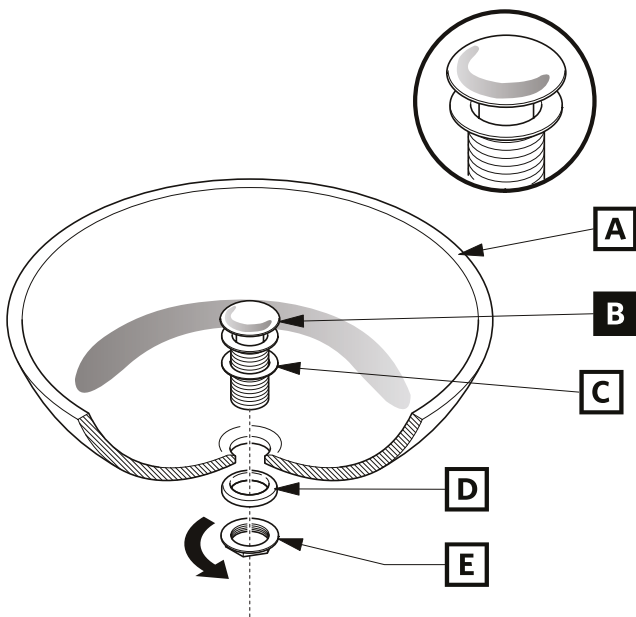
INSTALLATION INSTRUCTIONS

Your item may appear slightly different from the illustration.



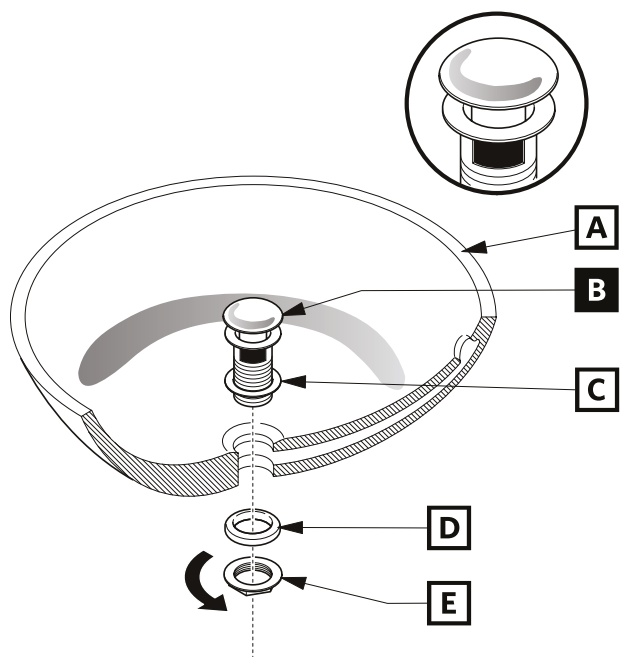
POP-UP INSTALLATION

FOR SINKS WITHOUT OVERFLOW



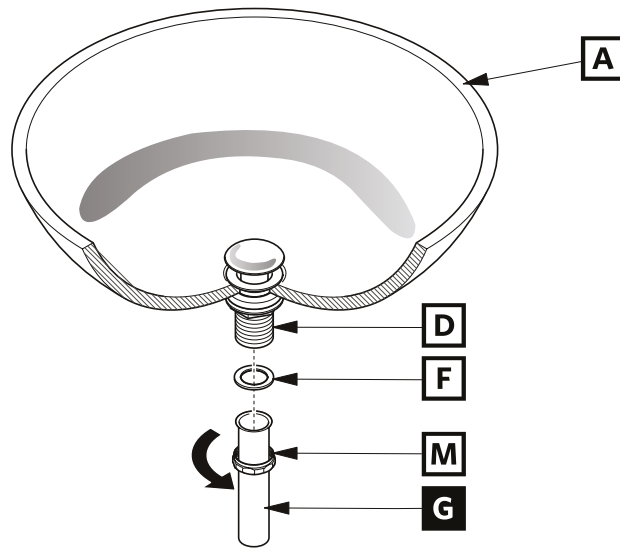
OR

FOR SINKS WITH OVERFLOW



P-TRAP INSTALLATION

1. Install tail pipe (G)



2. Install P-trap (J)

