



FRESCA®

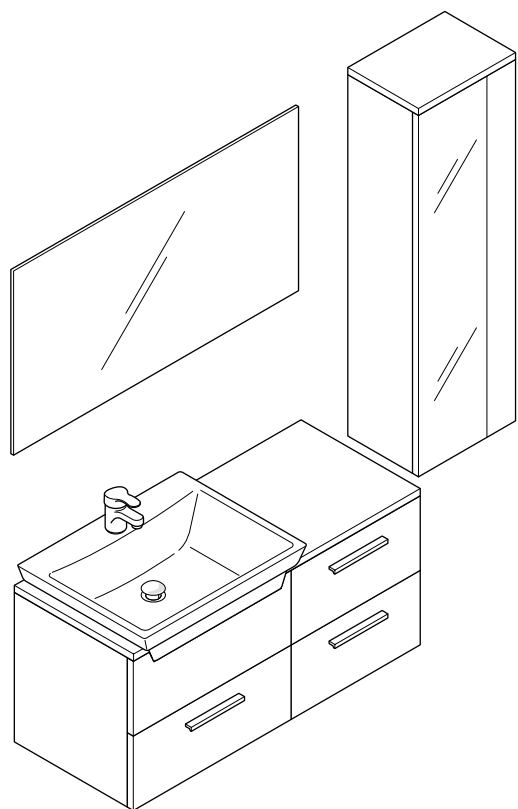
FVN6163

STELLA

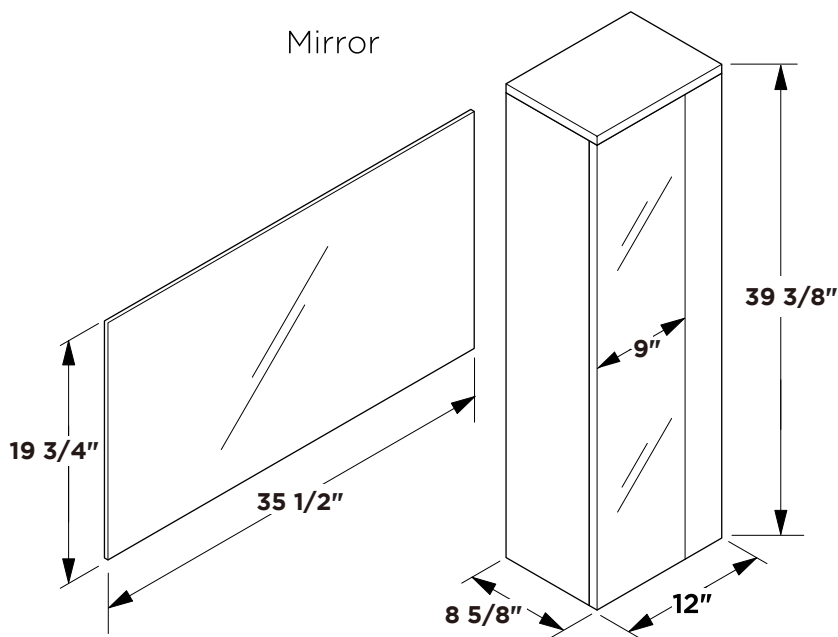
INSTALLATION GUIDE

CONTENTS:

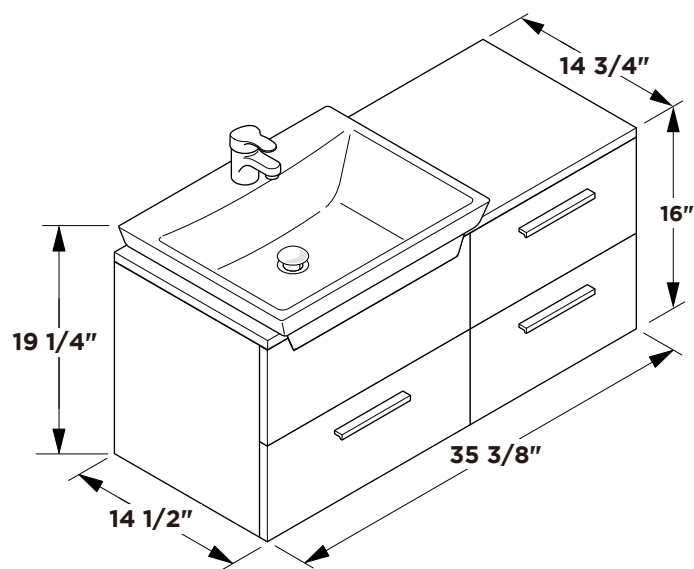
Cabinet.....(FCB6163).....	PAGE 3 (STEP 2)
Sink.....(FVS6163).....	PAGE 3 (STEP 3)
Mirror.....(FMR6163).....	PAGE 3 (STEP 4)
Storage Cabinet...(FST6163).....	PAGE 3 (STEP 5)



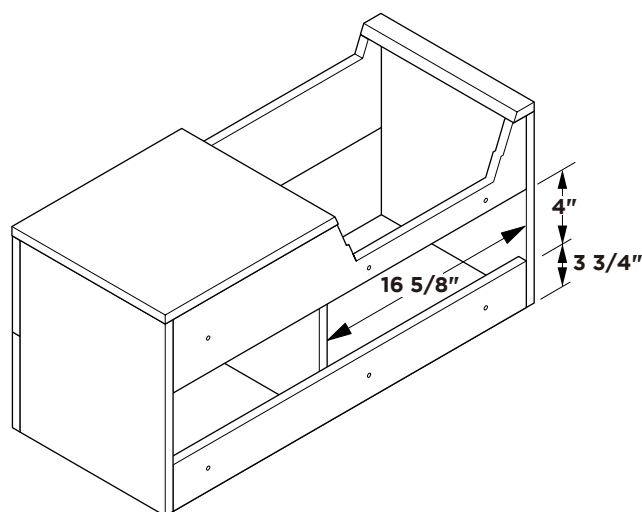
Mirror



Vanity Front



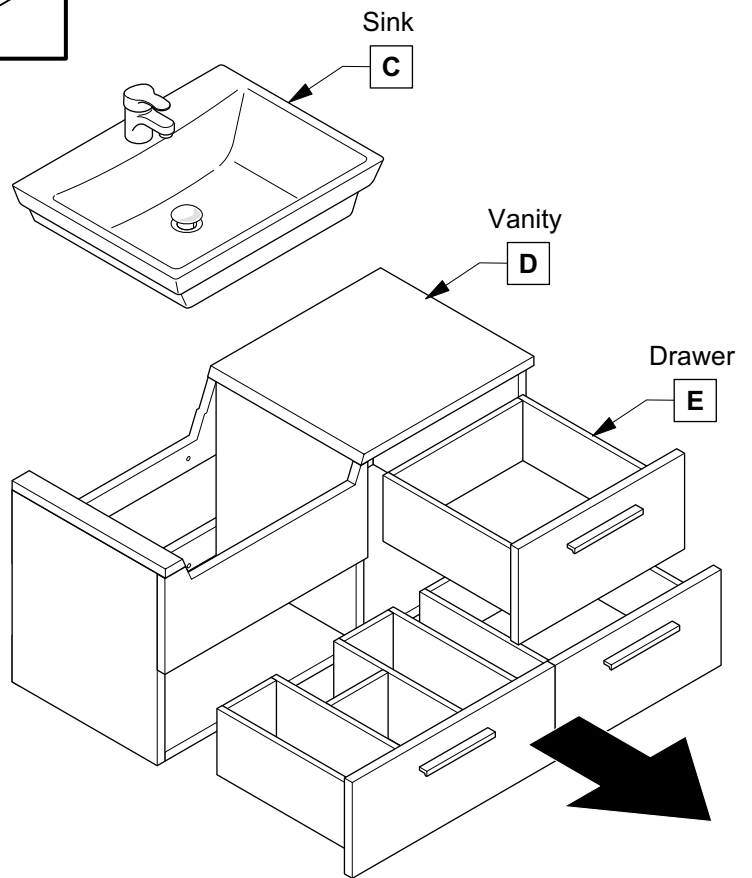
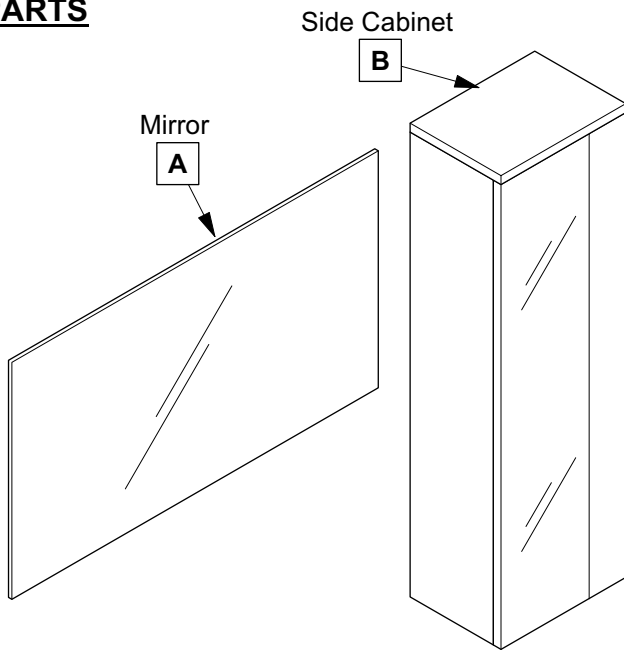
Vanity Back



TOOLS FOR ASSEMBLY

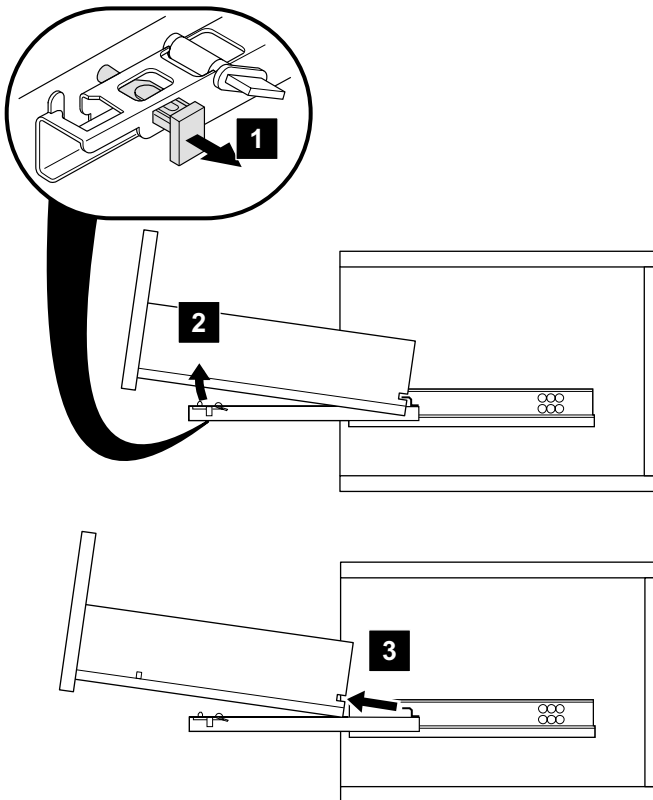


PARTS

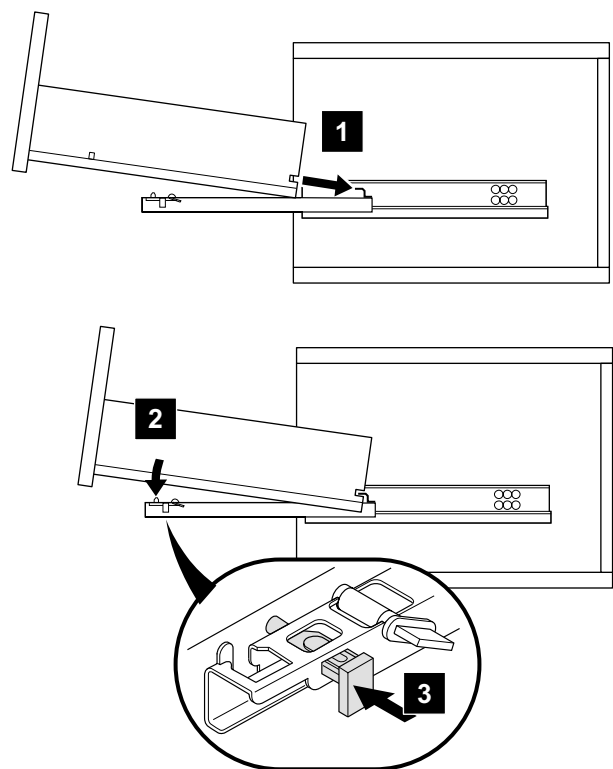


DRAWER REMOVAL & INSTALLATION

REMOVAL

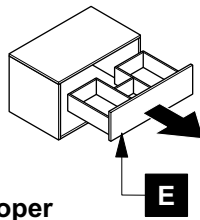


INSTALLATION

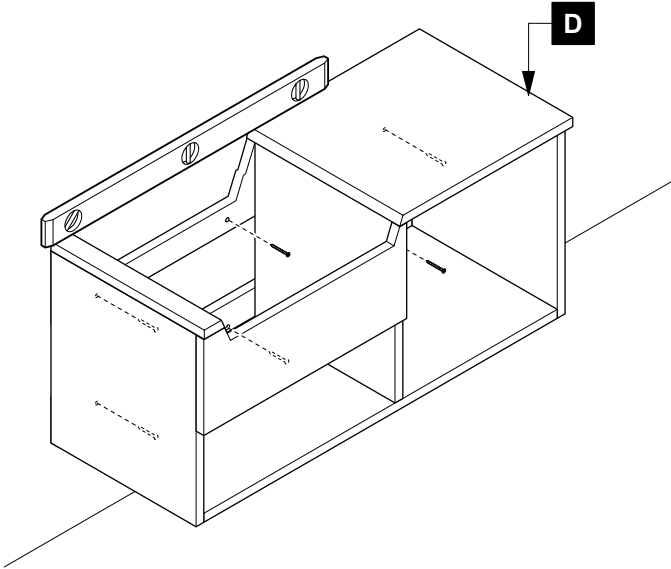


1 Remove drawers (E)

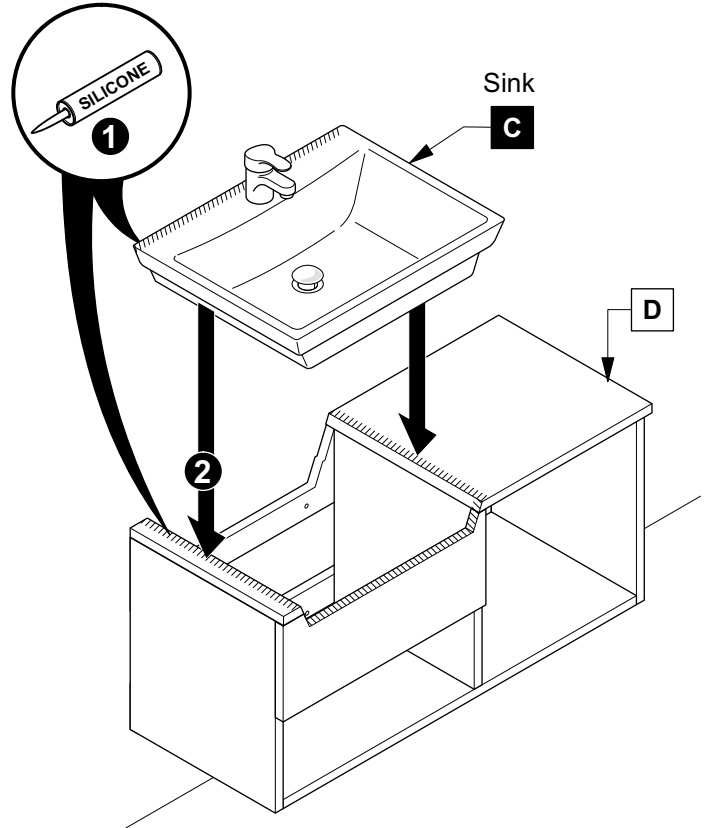
2 Install vanity (D)



IMPORTANT: Consult an expert for the proper screws/bolts to use when attaching to various wall constructions. Screws provided do not attach to all wall construction types.



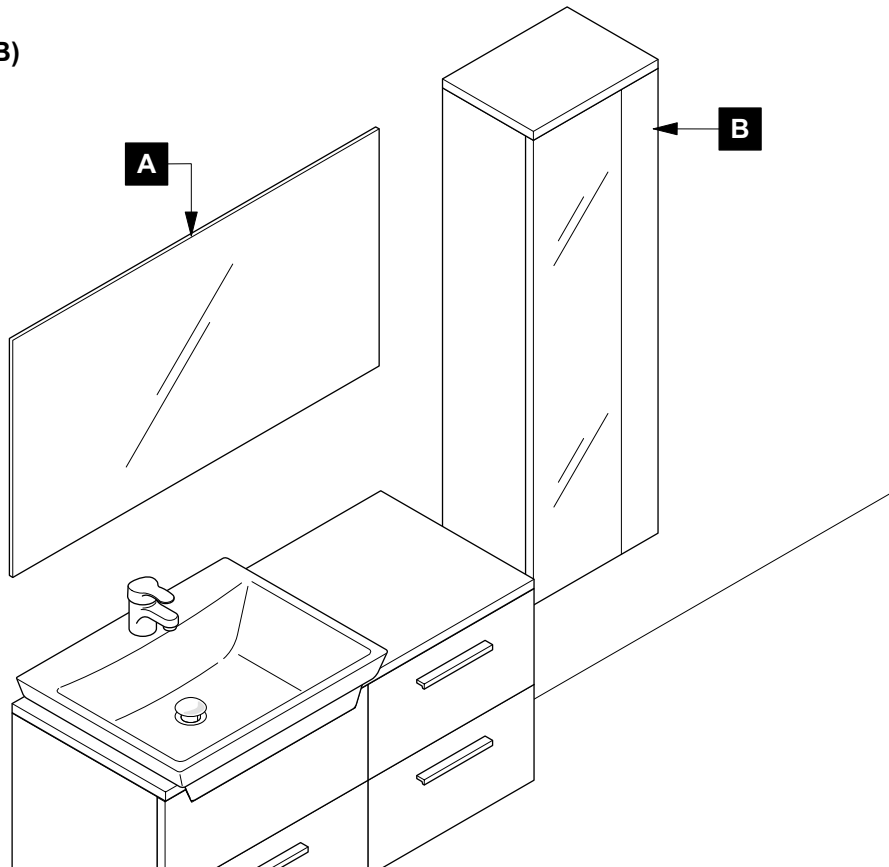
3 Apply silicone and install sink (C)



4 Install mirror (A)

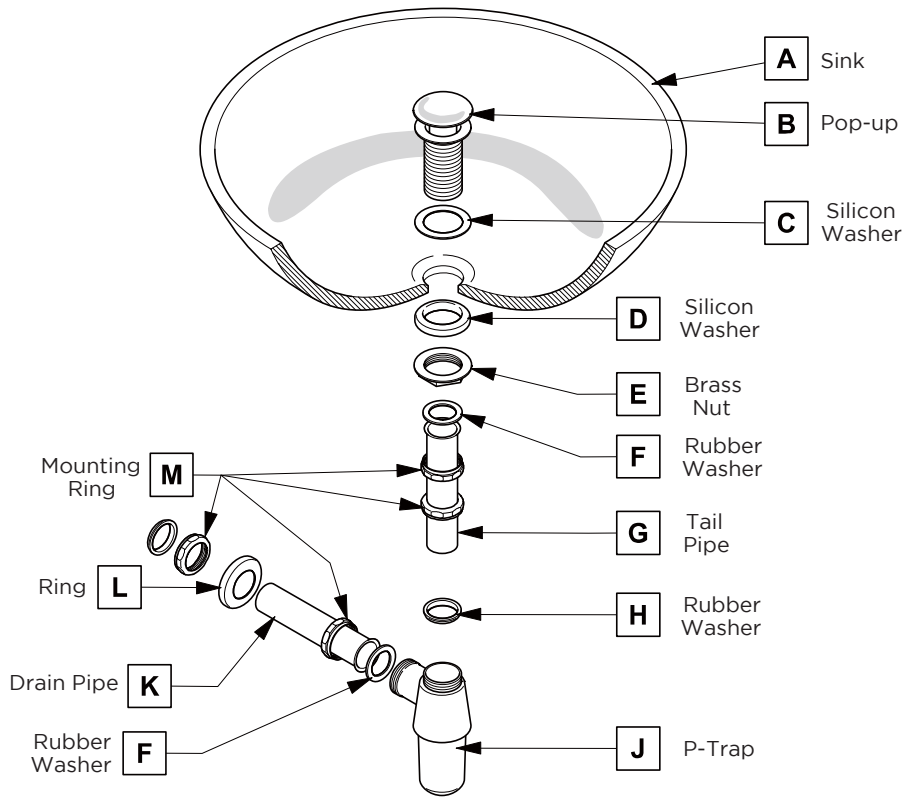
5 Install side cabinet (B)

IMPORTANT: Consult an expert for the proper screws/bolts to use when attaching to various wall constructions. Screws provided do not attach to all wall construction types.



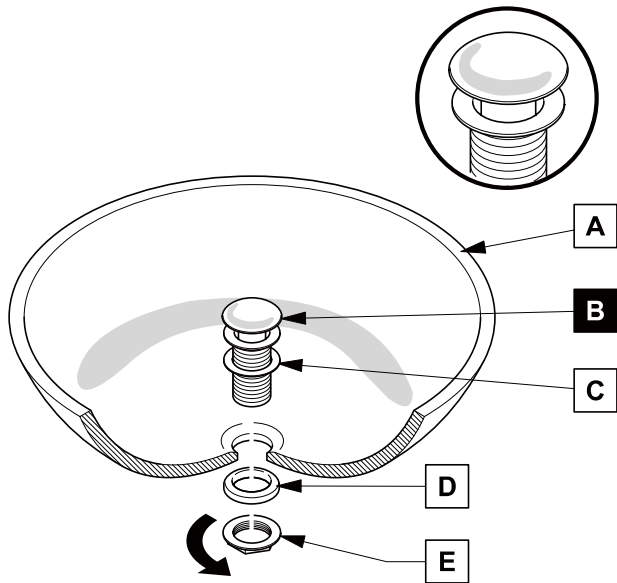
P-TRAP AND POP-UP INSTALLATION INSTRUCTIONS

Your item may appear slightly different from the illustration



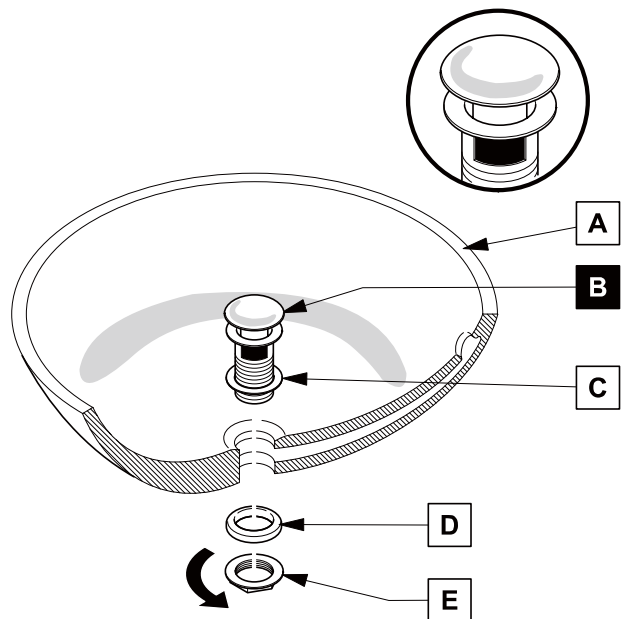
POP-UP INSTALLATION

FOR SINKS WITHOUT OVERFLOW



OR

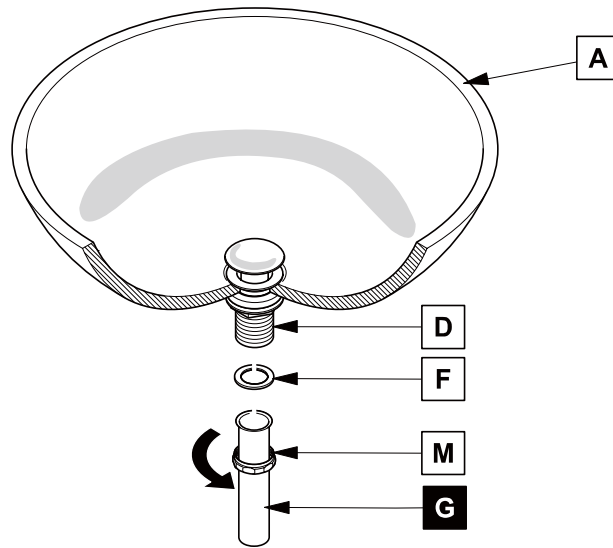
FOR SINKS WITH OVERFLOW



P-TRAP INSTALLATION

1

Install tail pipe (G)



2

Install p-trap (J)

