

### SS-SHV1.2

### SINGLE CONTROL PROGRESSIVE VALVE

### SS-THV2.2 TWO HANDLE ROUGH (HOT AND COLD VOLUME CONTROLS)

#### Note:

- USE TEFLON TAPE OR PIPE SEALANT FOR THREADED CONNECTIONS
- DO NOT USE PLUMBER'S PUTTY ON ANY OF THE BRASS COMPONENTS  
This will cause the finish to tarnish and void the warranty. A non-corrosive Alkoxy Silicone is recommended.
- DURING SWEATING OF LINES DO NOT OVERHEAT CASTING  
Overheating may cause damage to internal mechanism and void the manufacturer's warranty as well as increase the risk of scalding.
- COPPER ADAPTORS MAY BE REQUIRED TO COMPLETE YOUR INSTALLATION

### DIAGRAM A

Measurements are from the tip of the stem to the finished wall

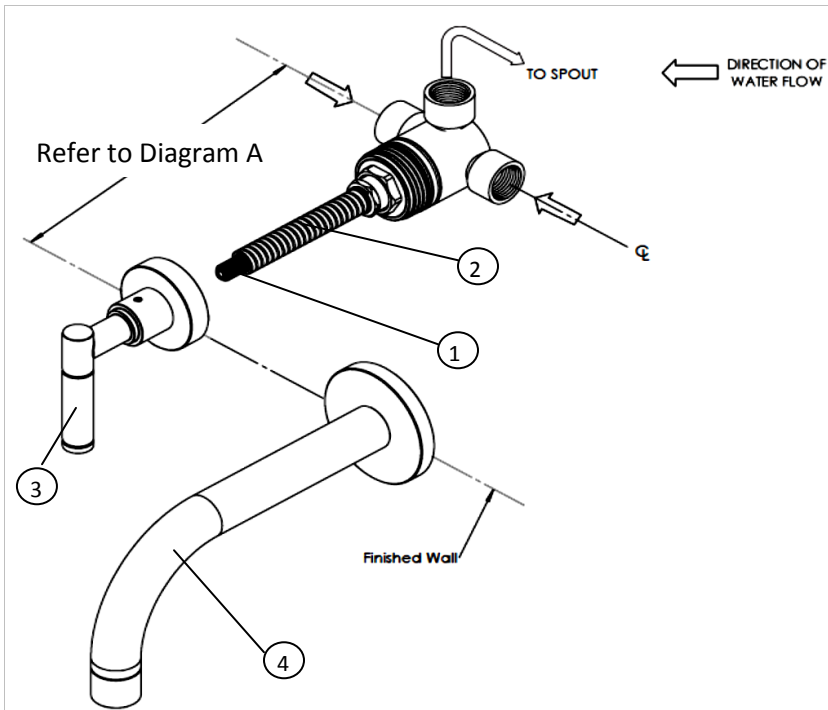
HANDLE TRIM #	MEASUREMENT (IN)	HANDLE TRIM #	MEASUREMENT (IN)	HANDLE TRIM #	MEASUREMENT (IN)	HANDLE TRIM #	MEASUREMENT (IN)
A	3	CC30/ CC31	3	HH/ I	3	U1	3 1/2
AA	3 1/4	CC40/41/42	2 1/4	IN14/IN16	3	U3/U4/U5	3 1/4
AQ	2	CC51	1 3/4	KK	2 1/4	U6/U7	3 1/4
AX	3	CC61	2 1/2	L4/ L5/ L6	1 3/4	U8	1 3/4
AZ1	2 1/2	CL14/ CL15	2 5/8	N2/ N3/ N4	2 1/4	V	2 1/4
B4/ B5	3	CL16	2 1/8	N5	2 1/2	V1	1 1/2
B9	2 1/8	CRY4	3 1/8	R1/ R2	1 1/2	V2/W	2
BB/ CC	3 1/4	CRY5	2 7/8	R3	2 1/4	WA/ WB	2 1/2
BL1	1 3/8	D	3	S	2 3/4	WC/ WD	2 1/2
BL2/ BL3	1 1/2	D5/ D6	2 1/2	S1/S1A/S2/S3	2 1/4	WW	3 1/2
BK	1 5/8	DD	3 1/4	SA1	2 3/4	X	2 3/4
BG4/ BG5	2 3/4	DD2/ DD3	1 7/8	SA2/ SW	3	XJ/ XM/ XN	2"
BV01/ BV02	3	E/ F/G	3	T	2 1/2	XO/ XQ	2"
BV05	2	ED1	1 1/4	T1/ T4	2 1/2	XX	3
BV09	3	ED2/ ED3	1 3/8	T6/T7/T8/T9	3	Y	2 3/4
BV13	2 1/2	ED4	1 1/4	T1A/T1B	1 3/4	Y2	2 1/4
BV81	2 1/4	EV4	1 7/8	TR14/ TR15	3	YY	3
CC11	2 1/2	H	3 1/4	TR24/ TR25	2 1/8	Z	2 3/4
CC20/21/22	2 1/4	H4	2 1/4	U	2 1/2	ZZ	3

**NOTE: WHEN FITTING HANDLE IT MAY BE NECESSARY TO SHORTEN BROACH STEM AND/ OR THREADED NIPPLE TO MINIMIZE GAP BETWEEN HANDLE AND ESCUTCHEON**

#### Valve Installation

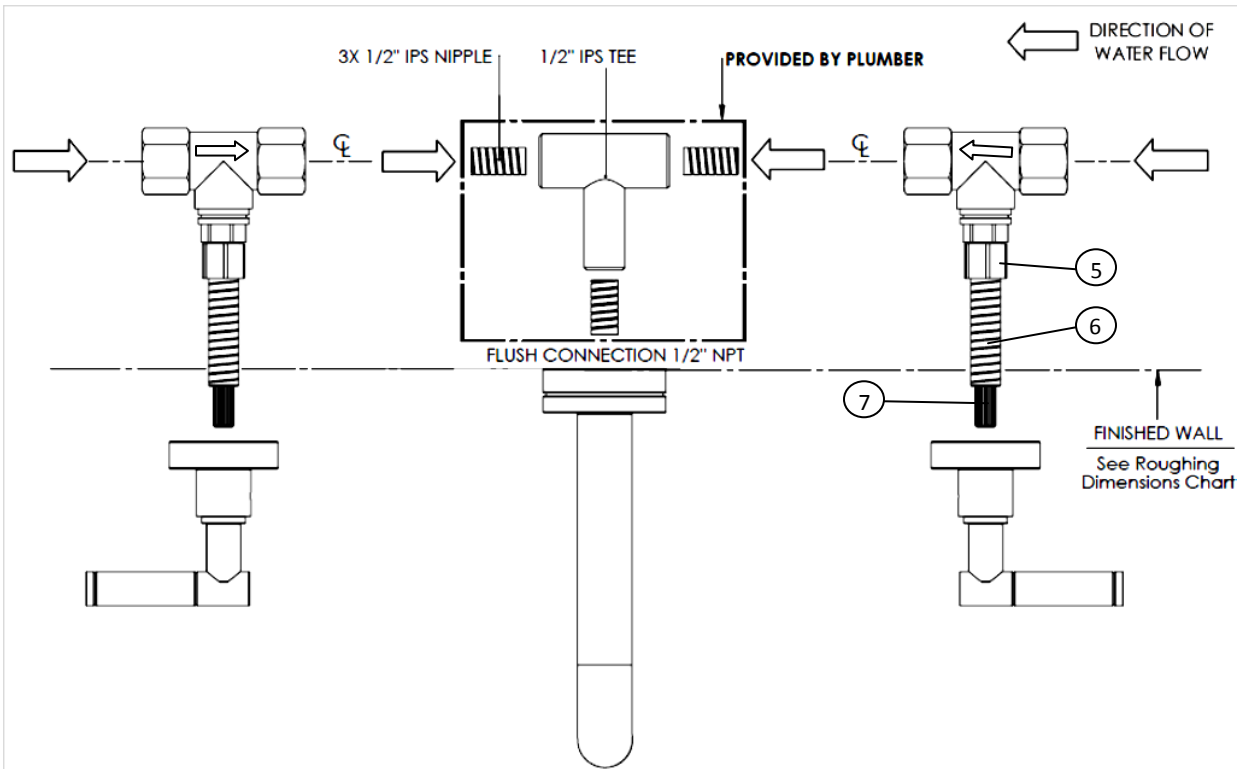
- Carefully remove all parts from the box. These units should contain the following parts:
  - For Wall mounted – single lever faucets refer to Diagram B.
  - For Wall mounted – two handle faucets refer to Diagram C.  
**Note that "T" connection and Nipples do not come provided.**
- Place the valve rough body in position according to installation Diagram A.
  - **Measure from the tip of the stem to the finished wall.** Be sure to have additional stem length available in case of extra float for tile, marble or other surface material.
- Sweat lines so that water follows arrow on valves.
- Test valve after it is installed.  
**Note:** Single handle valves will not operate unless both Hot and Cold water supplies are turned on.
  - Run valve for 30 seconds and check for leaks

### DIAGRAM B



ITEM #	PART #
1	STEM
2	ALL THREAD NIPPLE
3	HANDLE TRIM
4	SPOUT
5	TENSION NUT
6	ALL THREAD NIPPLE
7	STEM

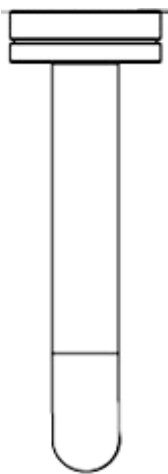
### DIAGRAM C



5. Once valve has been tested proceed to close wall. Be sure to leave holes large enough to access the stem.
  - **NOTE:** Single handle valve hole should be kept to 1 5/8" to maintain access to stem.
  - **NOTE:** Two handle valve holes should be kept to 1" to maintain access to stem.
  
6. Install Trim.
  - Mount and hand tighten escutcheons to all thread nipples.
  - Install handles on valves. Stems can be cut down if necessary.
  - **NOTE:** Female thread is 2" deep.
  - **NOTE:** For two handle valves:  
 For heavier lever handles tighten stem tension adjustment nut.  
 It is recommended that the handles close in a horizontal position (9:00 and 3:00 going from left to right) and open up towards 12:00 in case of loss of water pressure.
  - **NOTE:** Alignment kits are provided to aid in positioning handles horizontally.
  
  - If valve is set too far in the wall, 1" extension kits may be ordered:  
 Model # SS-EXT60 for SS-THV2.2 two handle wall rough  
 Model # SS-EXT20 for SS-SHV1.2 single handle wall rough
  
7. Install lavatory spout.
  - Connect brass threaded nipple from the center of the tee connection to the lavatory spout. It may be necessary to cut down the nipple. Refer to Diagram D
    - **Note:** Trims with spout from Group A require the nipple to extend 1/2" beyond the finished wall.
    - Trims with spouts from Group B require the nipple to be recessed 1/2" behind the finished wall.
    - Trims with spouts from Group C require a female nipple to be recessed 1/2" behind the finished wall.

### Diagram D

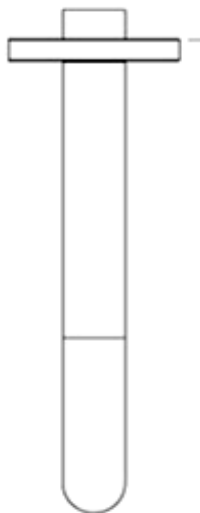
FLUSH CONNECTION 1/2" NPT



GROUP A

(SERIES 24, 25, 26, 27, 28, 29, 32, 34, 37, 44, 86, 96, 160, 80, 203, 314)

RECESS CONNECTION 1/2" NPT (FEMALE THREAD)



GROUP B

(SERIES 22, 30, 31, 33, 140, 150, 201, 205, 206, 310, 311, 312, 316, 319, 321)

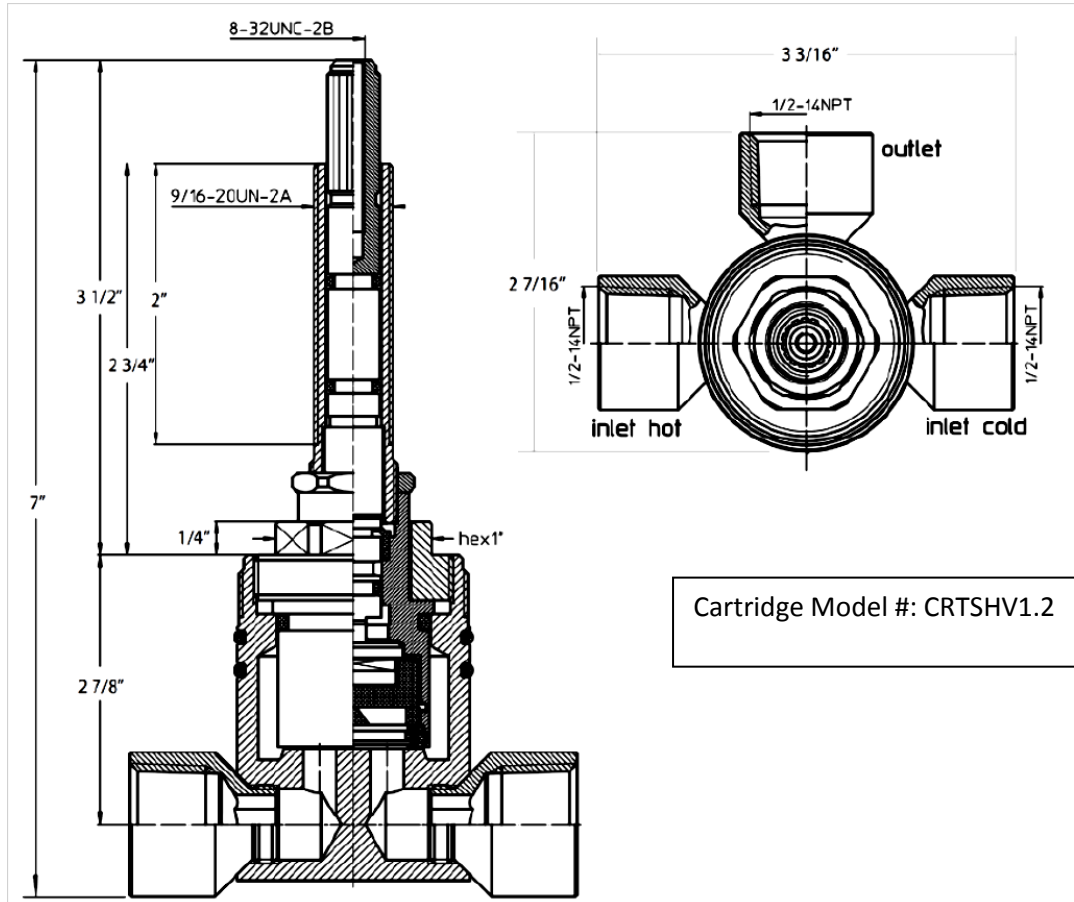
RECESS CONNECTION 1/2" NPT (MALE THREAD)



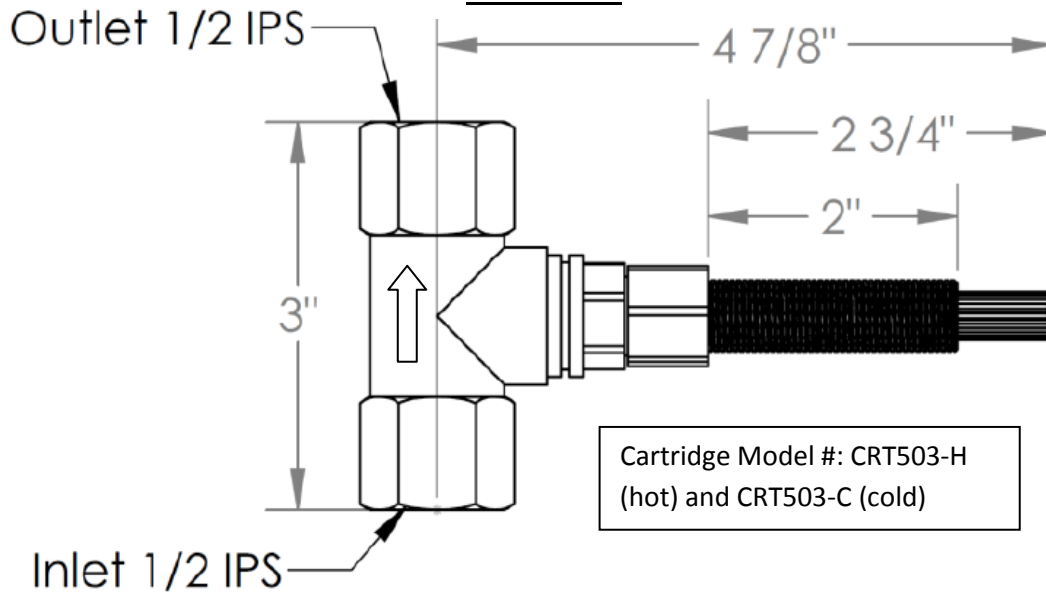
GROUP C

(SERIES 35, 38)

### SS-SHV1.2



### SS-THV2.2



Rev. 2/2015