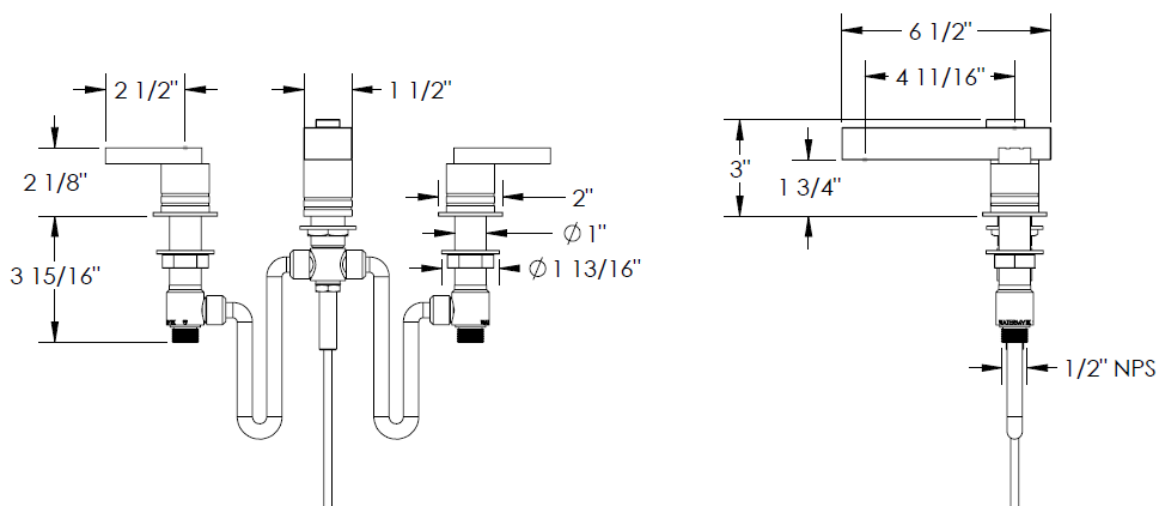


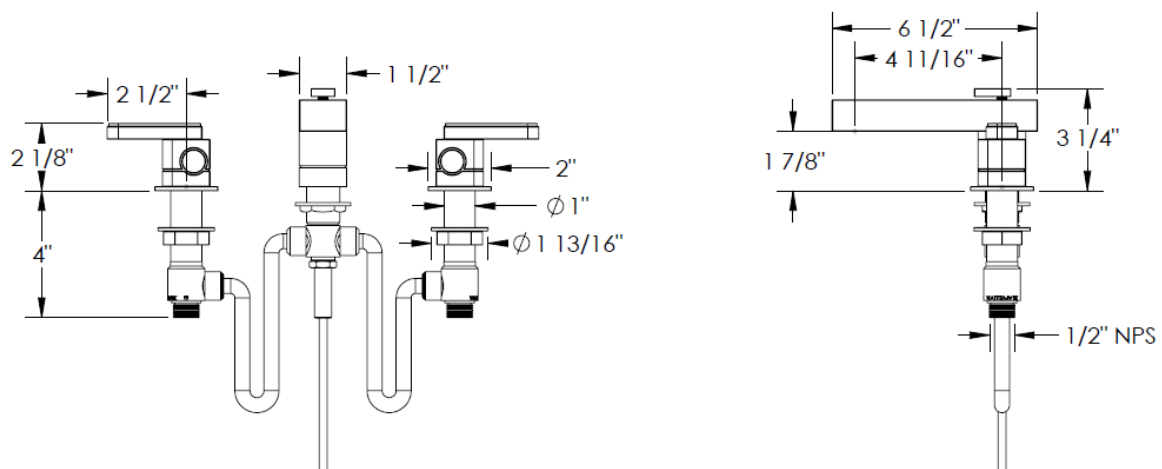
FEATURES

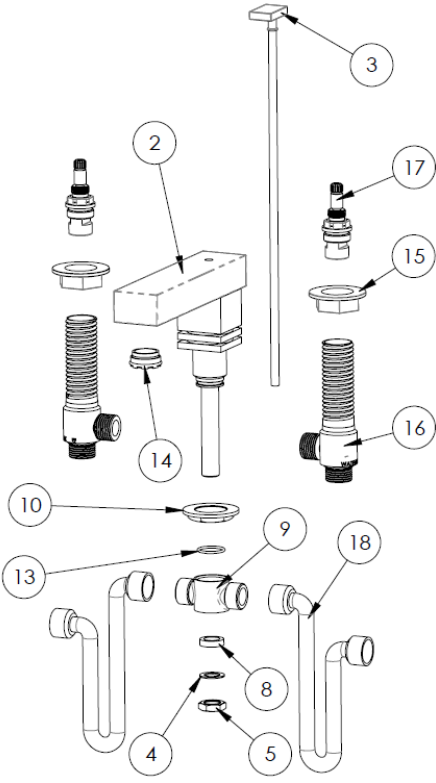
- ¼ turn washerless ceramic disc valve cartridges
- Flexible hose connection for 8" to 16" spread installations
- Flow rate 1.5 gpm (5.7 lpm) maximum flow rate
- Solid brass construction
- Listed by IAPMO, CSA, NSF, and other municipalities
- Warranty:
 - Limited lifetime warranty (residential use)
 - One year (commercial use)
- Shipping weight (lbs.) 10
- Shipping dimensions (in.): 29x12x4

96-2 (Widespread)



96-2.1 (Widespread with Gooseneck Spout)

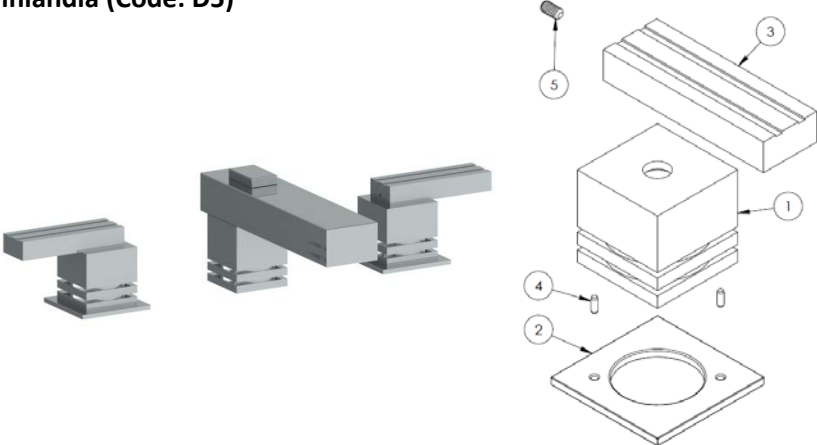




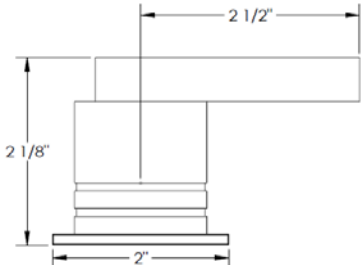
ITEM NO.	PART NUMBER	QTY.
2	96-2-SPT	1
3	96-2-LIFT-KNOB	1
4	172 BRASS WASHER	1
5	501-HEX-NUT	1
8	502 T GASKET	1
9	502-TEE	1
10	502 LOCK NUT	1
13	O-018 O-RING	1
14	NEOPERL CACHE REGULAR	1
15	142-LOCK-NUT	2
16H/16C	SS-502 Valve Body	2
17H/17C	SS-502 Cartridge	2
18	502 FLEX HOSE	2

HANDLE TRIMS

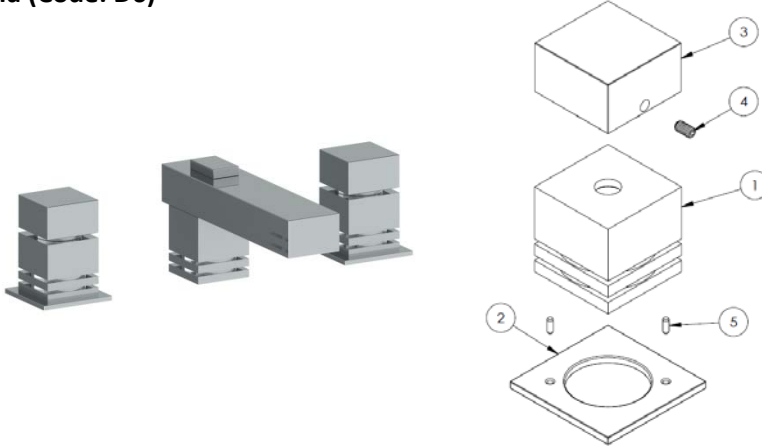
Finlandia (Code: D5)



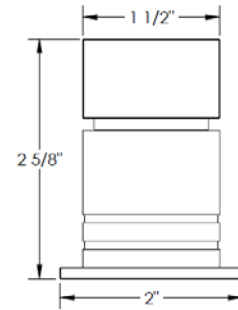
ITEM NO.	PART NUMBER	QTY.
1	D5-ESC	1
2	D5-ESC-RING	1
3	D5-LVR	1
4	ASME B18.8.2 - 0.0937x0.25	2
5	SSCUPSKT 0.164-32x0.3125-HX-S	1



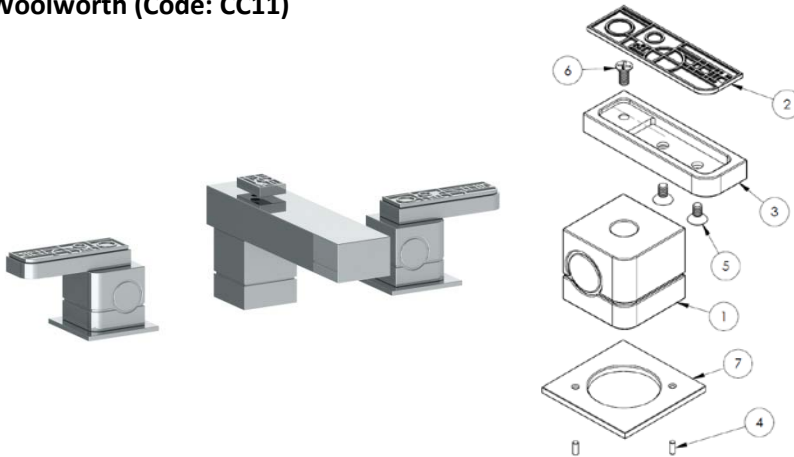
Scania (Code: D6)



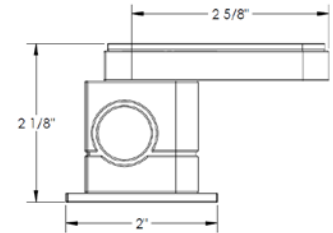
ITEM NO.	PART NUMBER	QTY.
1	D5-ESC	1
2	D5-ESC-RING	1
3	D6-KNOB	1
4	SSCUPSKT 0.164-32x0.3125-HX-S	1
5	ASME B18.8.2 - 0.0937x0.25	2



Woolworth (Code: CC11)



ITEM NO.	PART NUMBER	QTY.
1	CC11-POST-(RGHT/LEFT)	1
2	CC11-LVR-TOP-(RGHT/LEFT)	1
3	CC11-LVR-BASE-(RGHT/LEFT)	1
4	DPM 0.0938x0.25	2
5	SCHCSCREW 0.164-32x0.3125x0.3125-HX-S	2
6	CR-FHMS 0.164-32x0.375x0.375-S (UNDERCUT HEAD)	1
7	D5-ESC-RING	1



IMPORTANT INSTALLATION INFORMATION

- USE TEFLON TAPE OR PIPE SEALANT FOR THREADED CONNECTIONS
- DO NOT USE PLUMBER'S PUTTY ON ANY OF THE BRASS COMPONENTS
This will cause the finish to tarnish and void the warranty. A non-corrosive Alkoxy Silicone is recommended.
- DURING SWEATING OF LINES DO NOT OVERHEAT CASTING
Overheating may cause damage to internal mechanism
- COPPER ADAPTORS MAY BE REQUIRED TO COMPLETE YOUR INSTALLATION

For technical support, please call 718-257-2800

Rev. 1/1