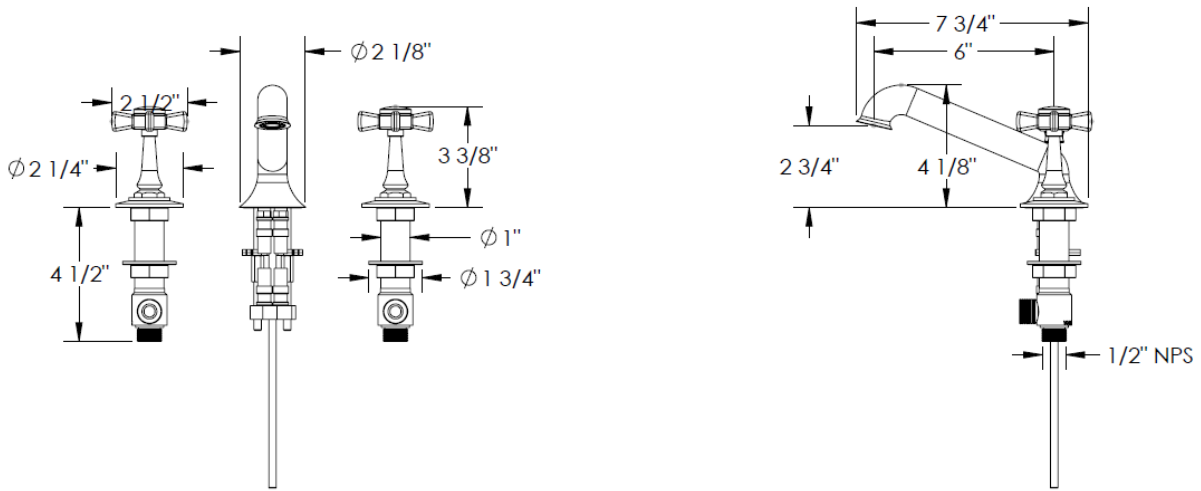


### FEATURES

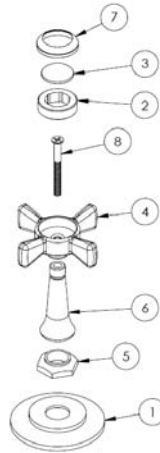
- ¼ turn washerless ceramic disc valve cartridges
- Flexible hose connection for 8" to 16" spread installations
- Flow rate 1.5 gpm (5.7 lpm) maximum flow rate
- Solid brass construction
- Listed by IAPMO, CSA, NSF, and other municipalities
- Warranty:
  - Limited lifetime warranty (residential use)
  - One year (commercial use)
- Shipping weight (lbs.) 10
- Shipping dimensions (in.): 29x12x4



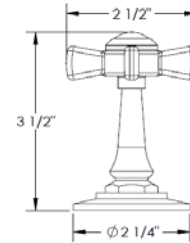
ITEM NO.	PART NUMBER	QTY.
1	33-2-SPT-2H	1
2	SPT-MNTNG-KIT-2-WSHR	1
3	SPT-MNTNG-KIT-2-RBBR-WSHR	1
4	SPT-MNTNG-KIT-1-SCRW	2
5	SPT-MNTNG-KIT-1-NUT	2
6	SPPLY-HOSE-0.5-14-NPS	2
7	501-LIFT-ROD	1
9	NEOPERL CACHE JR PCA	1
11	AS568 - 32	1
12	142-LOCK-NUT	4
13H/13C	SS-502 Valve Body	2
14H/14C	SS-502 Cartridge	2

### HANDLE TRIMS

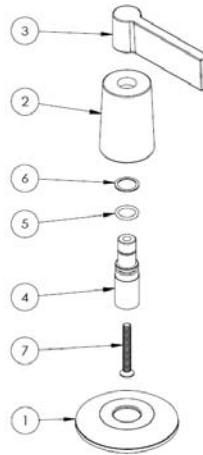
#### Cipriani (Code: B9)



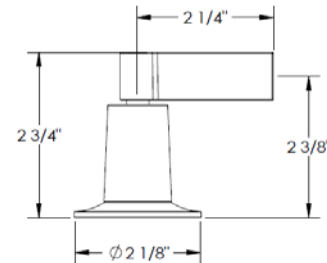
ITEM NO.	PART NUMBER	QTY.
1	B9-ESC	1
2	S1-CAP-ADAP	1
3	X-PRCLN-INSRT-(PLN/COLD/HOT)	1
4	S1-HNDL-(COLD/HOT)	1
5	B9-ESC-NUT	1
6	B9-POST	1
7	B9P-CAP-RING	1
8	CR-FHM1 0.164-32x1.625x1-S	1



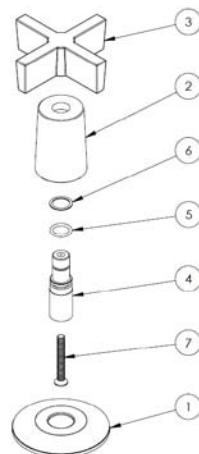
#### Astaire (Code: DD2)



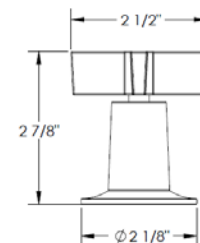
ITEM NO.	PART NUMBER	QTY.
1	DD2-ESC-RING	1
2	DD2-ESC	1
3	SL-LVR	1
4	TR24-STEM	1
5	AS568 - 012	1
6	.497x.391x.02-PLSTC-WSHR	1
7	CR-FHMS 0.164-32x1.25x1.25-S	1



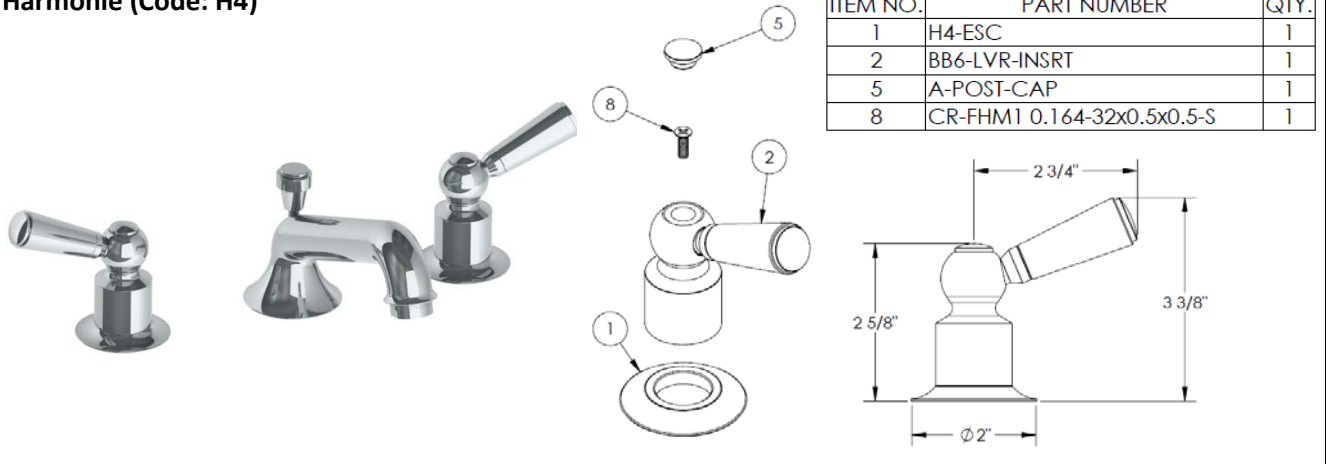
#### Garbo (Code: DD3)



ITEM NO.	PART NUMBER	QTY.
1	DD2-ESC-RING	1
2	DD2-ESC	1
3	SX-CRSS-HNDL	1
4	TR24-STEM	1
5	AS568 - 012	1
6	.497x.391x.02-PLSTC-WSHR	1
7	CR-FHMS 0.164-32x1.25x1.25-S	1



### Harmonie (Code: H4)



#### **IMPORTANT INSTALLATION INFORMATION**

- USE TEFLON TAPE OR PIPE SEALANT FOR THREADED CONNECTIONS
- DO NOT USE PLUMBER'S PUTTY ON ANY OF THE BRASS COMPONENTS  
This will cause the finish to tarnish and void the warranty. A non-corrosive Alkoxy Silicone is recommended.
- DURING SWEATING OF LINES DO NOT OVERHEAT CASTING  
Overheating may cause damage to internal mechanism
- COPPER ADAPTORS MAY BE REQUIRED TO COMPLETE YOUR INSTALLATION

**For technical support, please call 718-257-2800**