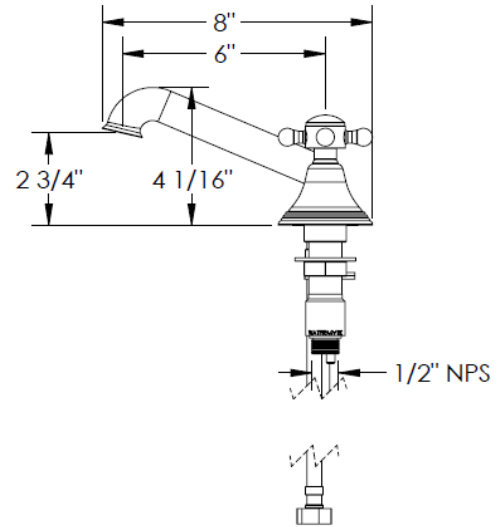
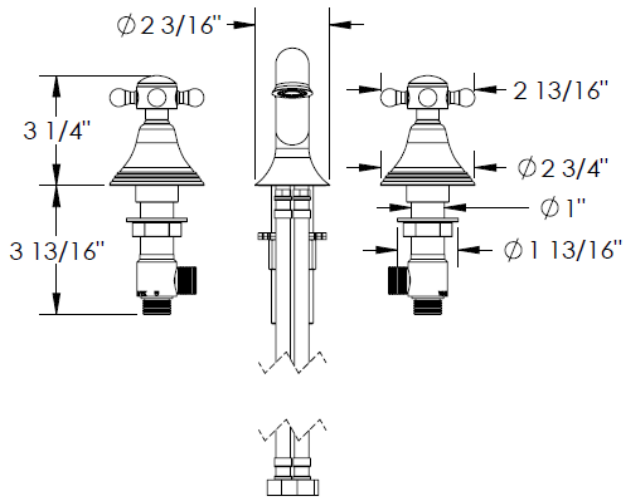


FEATURES

- ¼ turn washerless ceramic disc valve cartridges
- Flexible hose connection for 8" to 16" spread installations
- Flow rate 1.5 gpm (5.7 lpm) maximum flow rate
- Solid brass construction
- Listed by IAPMO, CSA, NSF, and other municipalities
- Warranty:
 - Limited lifetime warranty (residential use)
 - One year (commercial use)
- Shipping weight (lbs.) 10
- Shipping dimensions (in.): 29x12x4



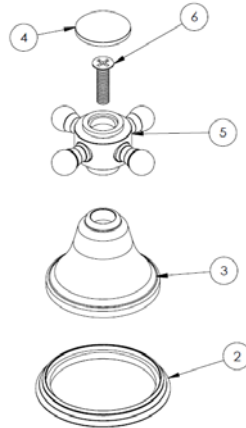
ITEM NO.	PART NUMBER	QTY.
1	33-2-SPT-2H	1
2	SPT-MNTNG-KIT-2-WSHR	1
3	SPT-MNTNG-KIT-2-RBBR-WSHR	1
4	SPT-MNTNG-KIT-1-SCRW	2
5	SPT-MNTNG-KIT-1-NUT	2
6	SPPLY-HOSE-0.5-14-NPS	2
7	501-LIFT-ROD	1
9	NEOPERL CACHE JR PCA	1
11	AS568 - 32	1
12	L4-TOP-LOCK-NUT	2
13	142-LOCK-NUT	2
14H/14C	SS-502 Valve Body	2
15H/15C	SS-502 Cartridge	2

Exploded view diagram of the lavatory set components numbered 1 through 15:

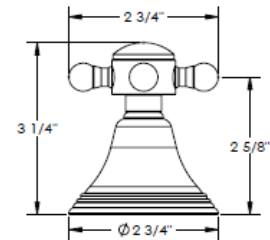
- 33-2-SPT-2H
- SPT-MNTNG-KIT-2-WSHR
- SPT-MNTNG-KIT-2-RBBR-WSHR
- SPT-MNTNG-KIT-1-SCRW
- SPT-MNTNG-KIT-1-NUT
- SPPLY-HOSE-0.5-14-NPS
- 501-LIFT-ROD
- NEOPERL CACHE JR PCA
- AS568 - 32
- L4-TOP-LOCK-NUT
- 142-LOCK-NUT
- SS-502 Valve Body
- SS-502 Cartridge

HANDLE TRIMS

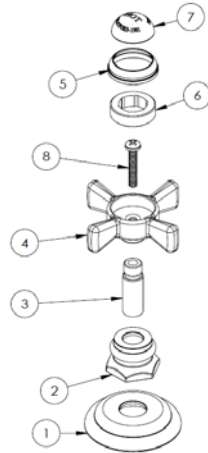
Los Angeles (Code: AX)



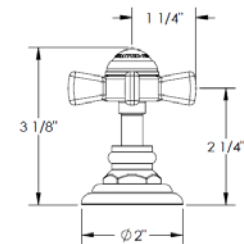
ITEM NO.	PART NUMBER	QTY.
2	A-ESC-RING	1
3	A-ESC	1
4	SA2-POST-CAP	1
5	X-POST	1
6	CR-FHM1 0.25-20x1x1-S	1



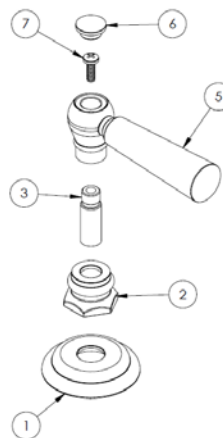
Preston (Code: S1)



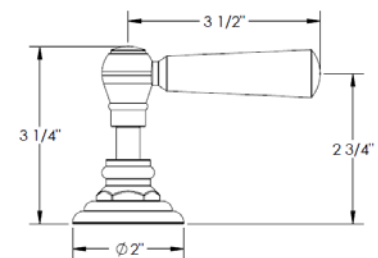
ITEM NO.	PART NUMBER	QTY.
1	S1-ESC	1
2	S1-ESC-NUT	1
3	S1-STEM	1
4	S1-HNDL-(COLD/HOT)	1
5	S1-CAP-RING	1
6	S1-CAP-ADAP	1
7	S1-PRCLN-INSRT-(PLN/COLD/HOT)	1
8	CR-PHMS 0.164-32x1x1-S	1



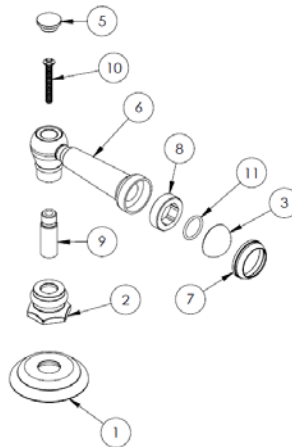
Nottingham (Code: S1A)



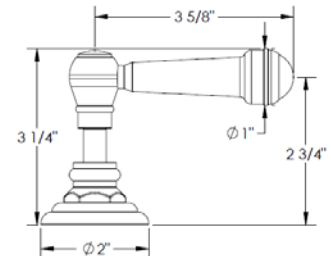
ITEM NO.	PART NUMBER	QTY.
1	S1-ESC	1
2	S1-ESC-NUT	1
3	S1-STEM	1
5	S1A-LVR	1
6	A-POST-CAP	1
7	CR-PHMS 0.164-32x0.5x0.5-S	1



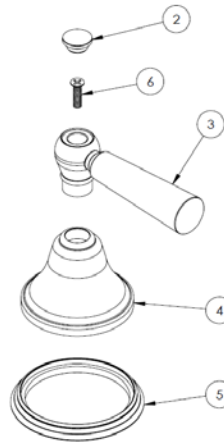
Waltham (Code: S2)



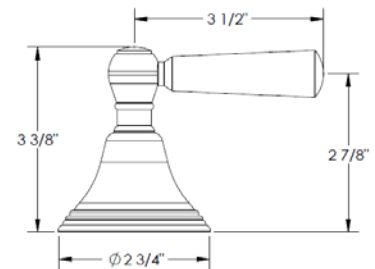
ITEM NO.	PART NUMBER	QTY.
1	S1-ESC	1
2	S1-ESC-NUT	1
3	S1-PRCLN-INSRT-(PLN/COLD/HOT)	1
5	A-POST-CAP	1
6	S2-LVR	1
7	S1-CAP-RING	1
8	S1-CAP-ADAP	1
9	S1-STEM	1
10	CR-FHMS 0.164-32x1.25x1.25-S	1
11	AS568 - 015	1



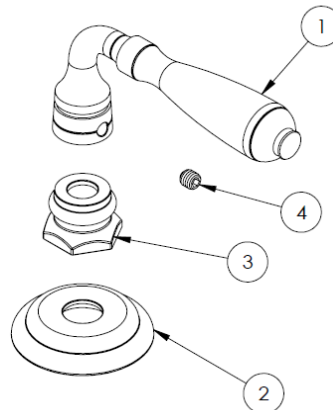
Boston (Code: WW)



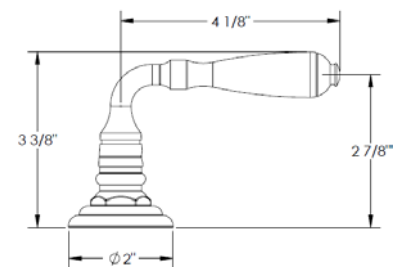
ITEM NO.	PART NUMBER	QTY.
2	A-POST-CAP	1
3	S1A-LVR	1
4	A-ESC	1
5	A-ESC-RING	1
6	CR-FHM1 0.164-32x0.625x0.625-S	1



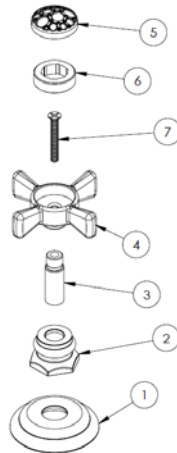
Le Château (Code: BV15)



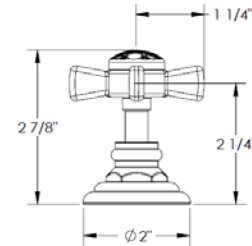
ITEM NO.	PART NUMBER	QTY.
1	BV01-LVR	1
2	S1-ESC	1
3	S1-ESC-NUT	1
4	SSCUPSKT 0.25-20x0.25-HX-S	1



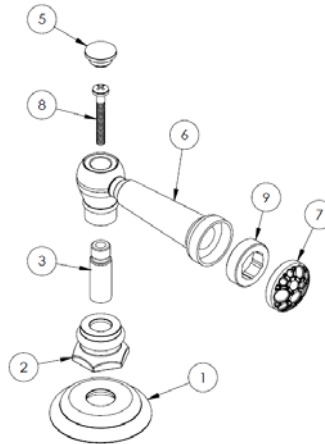
Van der Rohe (Code: CC20)



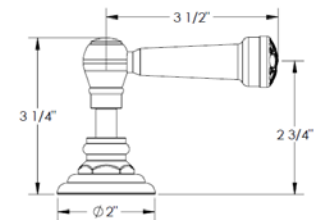
ITEM NO.	PART NUMBER	QTY.
1	S1-ESC	1
2	S1-ESC-NUT	1
3	S1-STEM	1
4	S1-HNDL-(COLD/HOT)	1
5	CC20-CAP	1
6	S1-CAP-ADAP	1
7	CR-FHMS 0.164-32x1.25x1.25-S	1



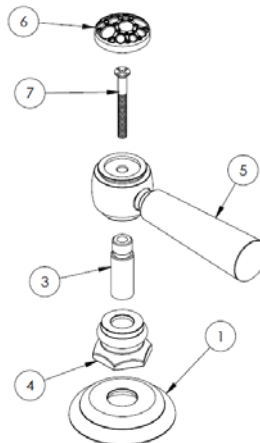
Van der Rohe (Code: CC21)



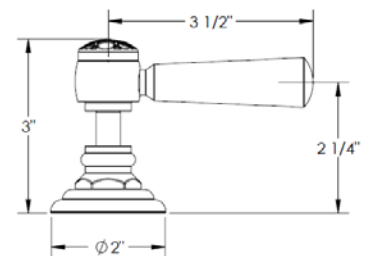
ITEM NO.	PART NUMBER	QTY.
1	S1-ESC	1
2	S1-ESC-NUT	1
3	S1-STEM	1
5	A-POST-CAP	1
6	S2-LVR	1
7	CC20-CAP	1
8	CR-PHMS 0.164-32x1.25x1-S	1
9	S1-CAP-ADAP	1



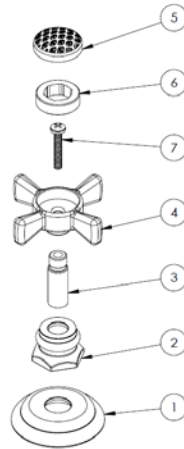
Van der Rohe (Code: CC22)



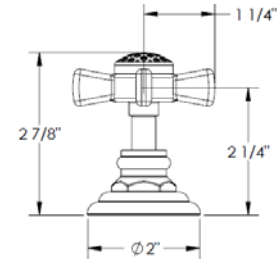
ITEM NO.	PART NUMBER	QTY.
1	S1-ESC	1
3	S1-STEM	1
4	S1-ESC-NUT	1
5	S1A-LVR	1
6	CC20-CAP	1
7	CR-FHMS 0.164-32x1.5x1-S	1



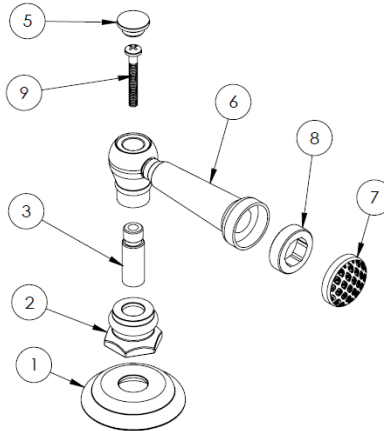
Pei (Code: CC40)



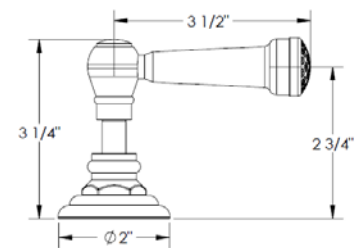
ITEM NO.	PART NUMBER	QTY.
1	S1-ESC	1
2	S1-ESC-NUT	1
3	S1-STEM	1
4	S1-HNDL-(COLD/HOT)	1
5	CC40-CAP	1
6	S1-CAP-ADAP	1
7	CR-PHMS 0.164-32x1x1-S	1



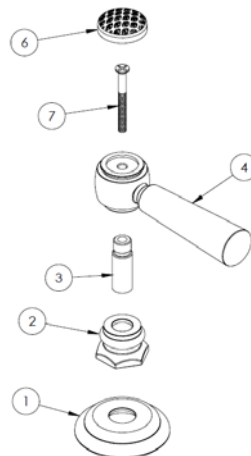
Pei (Code: CC41)



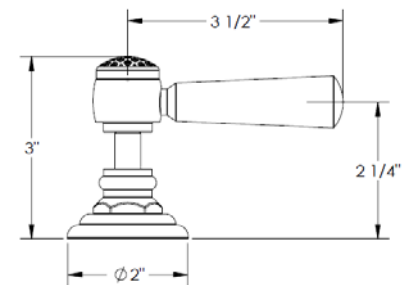
ITEM NO.	PART NUMBER	QTY.
1	S1-ESC	1
2	S1-ESC-NUT	1
3	S1-STEM	1
5	A-POST-CAP	1
6	S2-LVR	1
7	CC40-CAP	1
8	S1-CAP-ADAP	1
9	CR-PHMS 0.164-32x1.25x1-S	1



Pei (Code: CC42)



ITEM NO.	PART NUMBER	QTY.
1	S1-ESC	1
2	S1-ESC-NUT	1
3	S1-STEM	1
4	S1A-LVR	1
6	CC40-CAP	1
7	CR-FHMS 0.164-32x1.625x1-S	1



IMPORTANT INSTALLATION INFORMATION

- USE TEFLON TAPE OR PIPE SEALANT FOR THREADED CONNECTIONS
- DO NOT USE PLUMBER'S PUTTY ON ANY OF THE BRASS COMPONENTS
This will cause the finish to tarnish and void the warranty. A non-corrosive Alkoxy Silicone is recommended.
- DURING SWEATING OF LINES DO NOT OVERHEAT CASTING
Overheating may cause damage to internal mechanism
- COPPER ADAPTORS MAY BE REQUIRED TO COMPLETE YOUR INSTALLATION

For technical support, please call 718-257-2800

Rev. 1/1